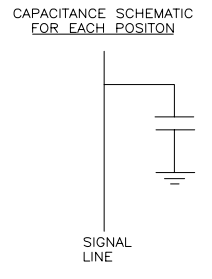
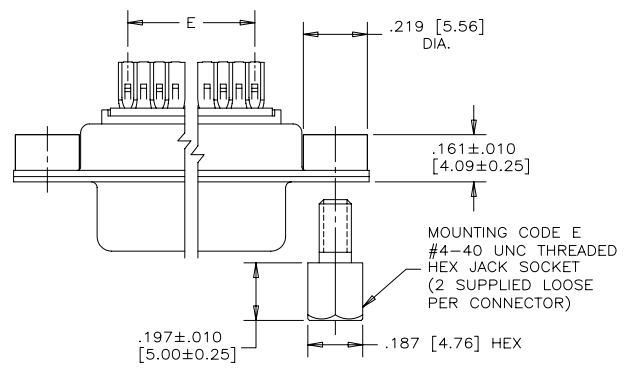


| REVISIONS | | | |
|-----------|----------------------------|----------|--------|
| REV | ECN, ERN NO. | DATE | APPRD. |
| C | PRODUCT DRAWING (EAR13166) | SEP26/07 | K.L. |



ORDERING CODE: **F C E 1 7 - E 0 9 P M - 4 7 0 G**

SERIES
FCE17=FILTERED D-SUB, RoHS

SIZE/NUMBER OF CONTACTS
E09, A15, B25, OR C37

CONNECTOR STYLE
P=PIN
S=SOCKET

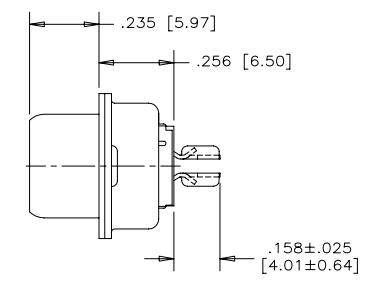
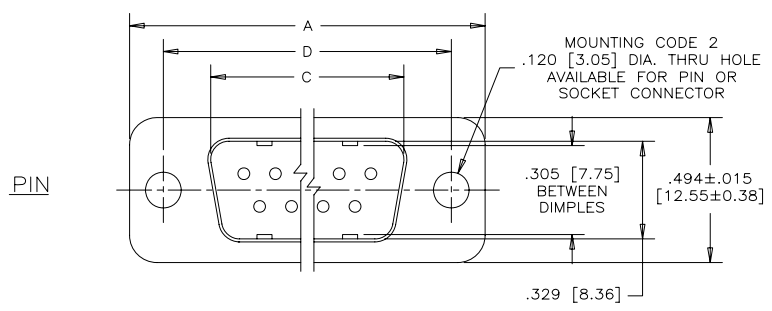
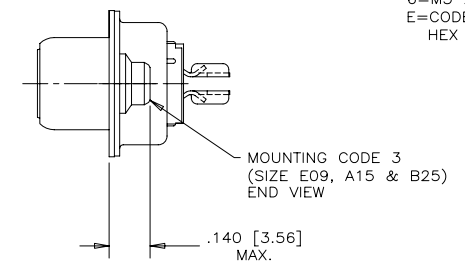
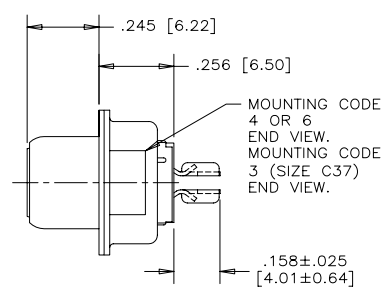
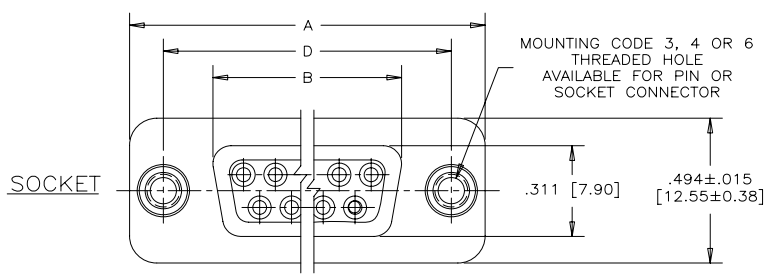
TERMINATION TYPE
M=SOLDER CUP TAILS

CONTACT FINISH/GOLD THICKNESS
NO DIGIT=STANDARD 15 MICRONS
[0.38 MICRONS] GOLD ON MATING AREA
G=50 MICRONS [1.27 MICRONS]
GOLD ON MATING AREA

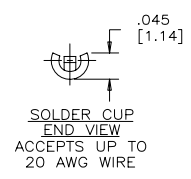
MODIFIER
O=STANDARD

FILTER CAPACITANCE
D=50 pF 5=1000 pF
B=100 pF 7=1200 pF
O=180 pF J=1500 pF
F=330 pF E=2200 pF
L=380 pF 9=5600 pF
1=470 pF 8=47000 pF
4=820 pF N=NO FILTERS

REFER TO AMPHENOL CATALOGUE FOR FILTER PERFORMANCE CHARACTERISTICS



- NOTES:**
- MATERIALS: ALL MATERIALS ARE RoHS COMPLIANT.
 - SHELL: STEEL, TIN PLATED
 - CONTACTS: PHOSPHOR BRONZE, PLATED WITH GOLD OVER 50µ" [1.27 MICRONS] MINIMUM NICKEL IN THE MATING AREA AND 100µ" [2.54 MICRONS] MINIMUM MATTE TIN ON THE TAILS.
 - INSULATOR: ENGINEERING THERMOPLASTIC, GLASS REINFORCED, UL FLAMMABILITY RATING 94V-0, COLOUR: BLACK
 - MOUNTING HARDWARE, STEEL OR COPPER ALLOY, TIN OR NICKEL PLATED.
 - CONTACT RESISTANCE: 15 MILLIOHMS MAXIMUM
 - INSULATION RESISTANCE: 3000 MEGOHMS MINIMUM
 - CURRENT RATING: 5 AMPS MAXIMUM
 - OPERATING TEMPERATURE: -40°C TO 85°C
 - TOLERANCE UNLESS INDICATED OTHERWISE: ±.005 [0.13]



| SIZE | STYLE | A±.015 [0.38] | B±.005 [0.13] | C±.005 [0.13] | D±.005 [0.13] | E BSC. |
|------|--------|---------------|---------------|---------------|---------------|---------------|
| E09 | PIN | 1.213 [30.81] | ----- | .666 [16.92] | .984 [24.99] | .432 [10.97] |
| | SOCKET | ----- | .643 [16.33] | ----- | ----- | ----- |
| A15 | PIN | 1.541 [39.14] | ----- | .994 [25.25] | 1.312 [33.32] | .756 [19.20] |
| | SOCKET | ----- | .971 [24.66] | ----- | ----- | ----- |
| B25 | PIN | 2.088 [53.04] | ----- | 1.534 [38.96] | 1.852 [47.04] | 1.304 [33.12] |
| | SOCKET | ----- | 1.511 [38.38] | ----- | ----- | ----- |
| C37 | PIN | 2.729 [69.32] | ----- | 2.182 [55.42] | 2.500 [63.50] | 1.956 [49.68] |
| | SOCKET | ----- | 2.159 [54.84] | ----- | ----- | ----- |

| | | | |
|------------------------|----------------------|---|---------------------------|
| DRAWN K. LAMBIE | DATE JUN21/05 | Amphenol Canada Corp. | |
| DESIGNED | | | |
| CHECKED | | TITLE FCE17 SERIES FILTERED D-SUB CONNECTOR, PIN & SOCKET, SOLDER CUP CONTACTS, RoHS COMPLIANT | |
| I. E. APPRD. | | DWG | DRAWING NO. |
| Q. A. APPRD. | | C | P-FCE17-XXXXM-XXOX |
| DWG. APPRD. | | REF. EAR 12758 | REV. C |
| ENG. REL. NO. | | DIMENSIONS ARE IN INCHES [mm] | CODE ID. NO. 03554 |
| SCALE 3/1 | WT. ----- | SURF. ----- | SHEET 1 OF 1 |

THIS DOCUMENT CONTAINS PROPRIETARY INFORMATION AND SUCH INFORMATION MAY NOT BE DISCLOSED TO OTHERS FOR ANY PURPOSE OR USED FOR MANUFACTURING PURPOSES WITHOUT WRITTEN PERMISSION FROM AMPHENOL CANADA CORP.