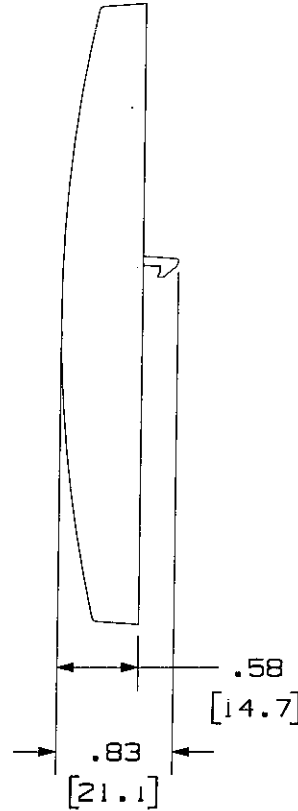
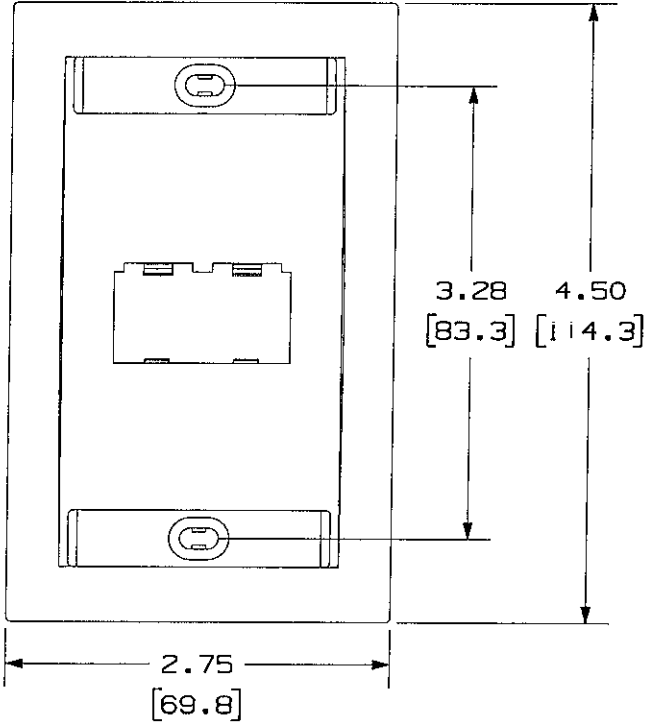


THIS COPY IS PROVIDED ON A RESTRICTED BASIS AND IS NOT TO BE USED IN ANY WAY DETRIMENTAL TO THE INTERESTS OF PANDUIT CORP.

PANDUIT P/N	WEIGHT
CFPE2**Y	.72 LB/10 PCS (326.6 g/10 PCS)



NOTES:

- SEE CURRENT CATALOG FOR ADDITIONAL PART NUMBER SUFFIXES TO INDICATE COLOR AND OR PACKAGE QUANTITY.
- SEE CATALOG FOR COMPLETE LIST OF PARTS APPLICABLE FOR USE WITH THIS PART.
- DIMENSIONS IN [ ] ARE IN METRIC.
- PART INCLUDES:
  - 1- FACEPLATE
  - 2- LABEL
  - 2- LABEL COVER
  - 2- MOUNTING SCREW

NETWORK SYSTEMS  
MAY 25 2006  
ENGINEERING DEPT

DRAWING FILENAME MO2479EK_DC117_00A.PRT		SIZE <b>A</b>
MINI-COM 2 POSITION EXECUTIVE SERIES FACEPLATE CUSTOMER DRAWING		
PANDUIT <sup>TM</sup> CORP. TINLEY PARK, ILL 60477	1:1 NUMBER	N/A
	PRODUCT SPEC	N/A
THIRD ANGLE PROJECTION	WORK INSTRUCTION	N/A
	SCALE	NONE
DRAWN BY JsP	MATERIAL	PART NO. CFPE2**Y
DATE 4-26-06	ABS	DRAWING NO. 02479-117
ALL DIMENSIONS ARE GIVEN IN INCHES, UNLESS OTHERWISE SPECIFIED. DIMENSIONAL TOLERANCES ARE: (.X) ± (.XXX) ± .010(.3) (.XX) ± .031(.8) ANGLES ±		

REV	DATE	BY	CHK	DESCRIPTION	ECN	R	CUST	SUP	OTH
R	4-26-06	JsP		RELEASED TO PRODUCTION	02479-117				