

# Terminal adapter - HC-B 16-A-UT-PEL-F - 1648042

Please be informed that the data shown in this PDF Document is generated from our Online Catalog. Please find the complete data in the user's documentation. Our General Terms of Use for Downloads are valid (<http://phoenixcontact.com/download>)




HEAVYCON terminal adapter, socket insert, B16 series, 16-pos., for the left control cabinet panel, screw connection



COMPLETE RoHS

## Key Commercial Data

|                                      |                                                                                                         |
|--------------------------------------|---------------------------------------------------------------------------------------------------------|
| Packing unit                         | 5 pc                                                                                                    |
| Minimum order quantity               | 5 pc                                                                                                    |
| GTIN                                 | <br>4 017918 969653 |
| GTIN                                 | 4017918969653                                                                                           |
| Weight per Piece (excluding packing) | 160.140 g                                                                                               |
| Custom tariff number                 | 85366990                                                                                                |
| Country of origin                    | China                                                                                                   |

## Technical data

### Dimensions

|                                 |         |
|---------------------------------|---------|
| Drill hole distance, horizontal | 77.5 mm |
| Height                          | 74.2 mm |

### Ambient conditions

|                                 |                   |
|---------------------------------|-------------------|
| Ambient temperature (operation) | -40 °C ... 125 °C |
|---------------------------------|-------------------|

### Electrical characteristics

|                                  |          |
|----------------------------------|----------|
| Number of positions              | 16       |
| Connection in acc. with standard | IEC / EN |
| Rated voltage (III/3)            | 500 V    |
| Rated surge voltage              | 6 kV     |
| Rated current                    | 16 A     |

### Mechanical characteristics

|      |     |
|------|-----|
| Type | B16 |
|------|-----|

# Terminal adapter - HC-B 16-A-UT-PEL-F - 1648042

## Technical data

### Mechanical characteristics

|                                         |                                             |
|-----------------------------------------|---------------------------------------------|
| Screw thread                            | M3                                          |
| Connection method                       | Screw connection                            |
| Tightening torque                       | 0.5 Nm ... 0.8 Nm                           |
| Stripping length of the individual wire | 12 mm                                       |
| Conductor cross section                 | 0.5 mm <sup>2</sup> ... 2.5 mm <sup>2</sup> |
| Connection cross section AWG            | 20 ... 14                                   |

### General

|                                        |                                                                                                                   |
|----------------------------------------|-------------------------------------------------------------------------------------------------------------------|
| Note                                   | For HEAVYCON-ADVANCE mounting flange and HEAVYCON panel mounting base of B16 type                                 |
|                                        | Connectors may be operated only when there is no load/voltage.                                                    |
| Contact material                       | Copper alloy                                                                                                      |
| Contact surface material               | Ag                                                                                                                |
| Contact carrier material               | PA                                                                                                                |
| Standards/regulations                  | PA: Fire protection in rail vehicles - requirement sets R22 and R23 acc. to DIN EN 45545-2 (Risk level HL1 - HL2) |
|                                        | PA: Fire protection in rail vehicles - requirement set R24 acc. to DIN EN 45545-2 (Risk level HL1 - HL3)          |
| Degree of pollution                    | 3                                                                                                                 |
| Overvoltage category                   | III                                                                                                               |
| Flammability rating according to UL 94 | V0                                                                                                                |
| Connection in acc. with standard       | IEC / EN                                                                                                          |
| Assembly instructions                  | To ensure correct use, installation in housing with IP54 protection or better is required                         |
| Installation instructions              | Connectors may only be actuated when there is no load/voltage.                                                    |

### Standards and Regulations

|                                        |              |
|----------------------------------------|--------------|
| Connection in acc. with standard       | CSA          |
| Constructional and testing regulations | DIN EN 61984 |
|                                        | DIN EN 60664 |
|                                        | IEC 60352    |
| Flammability rating according to UL 94 | V0           |

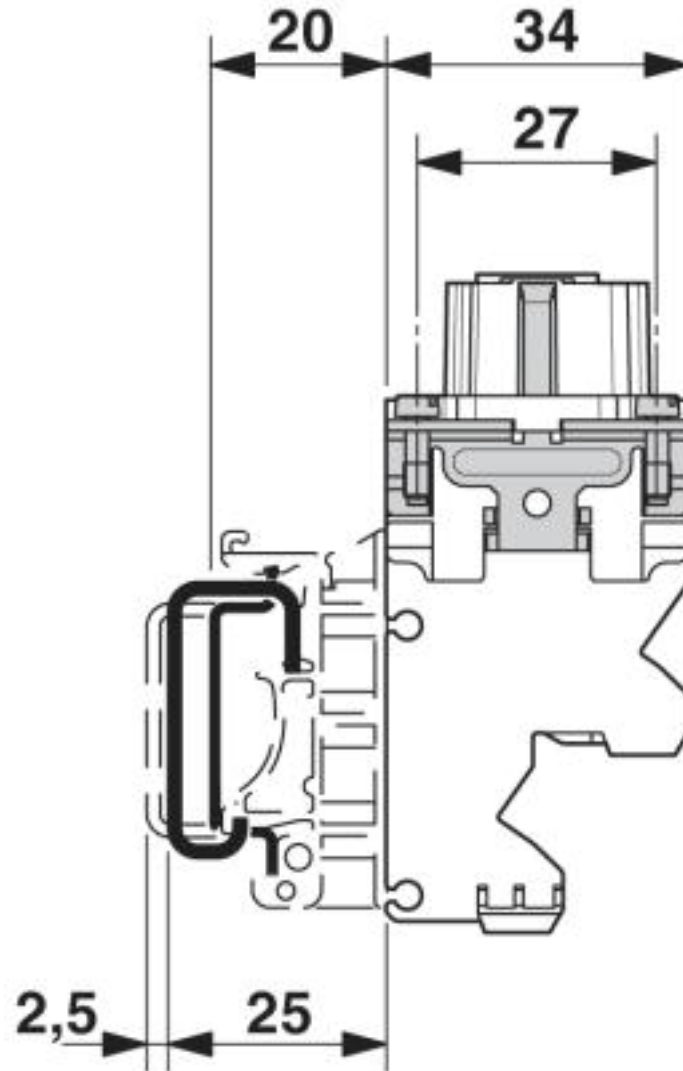
### Environmental Product Compliance

|            |                                                                                                     |
|------------|-----------------------------------------------------------------------------------------------------|
| REACH SVHC | Lead 7439-92-1                                                                                      |
| China RoHS | Environmentally Friendly Use Period = 50 years                                                      |
|            | For details about hazardous substances go to tab "Downloads", Category "Manufacturer's declaration" |

## Drawings

# Terminal adapter - HC-B 16-A-UT-PEL-F - 1648042

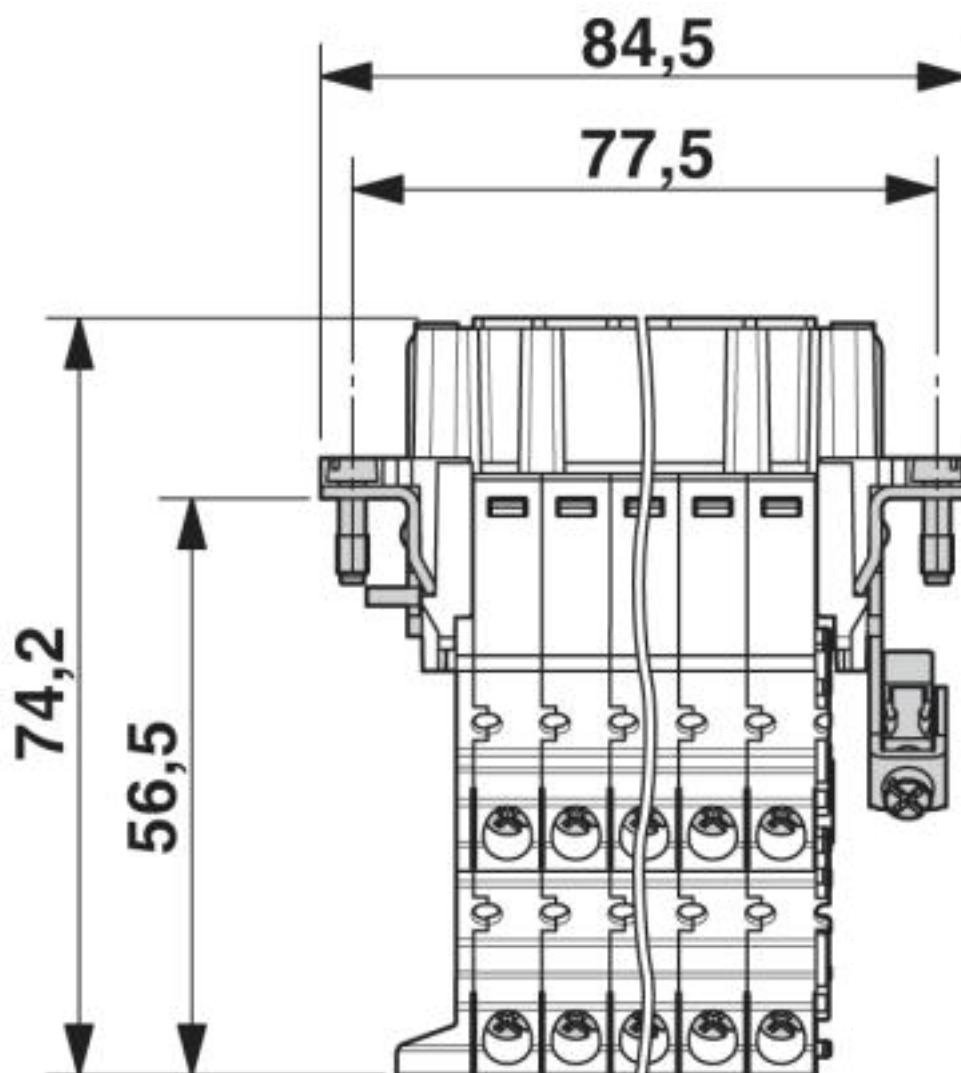
Dimensional drawing



Side view

# Terminal adapter - HC-B 16-A-UT-PEL-F - 1648042

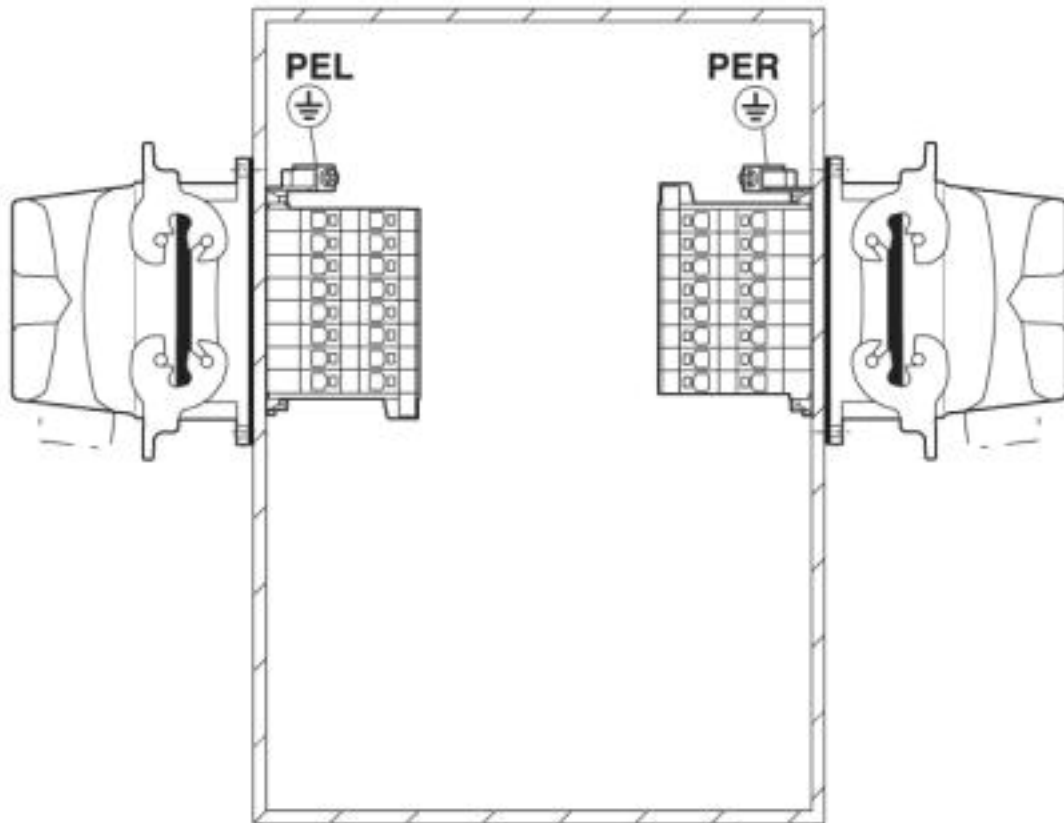
Dimensional drawing



Connection side

# Terminal adapter - HC-B 16-A-UT-PEL-F - 1648042

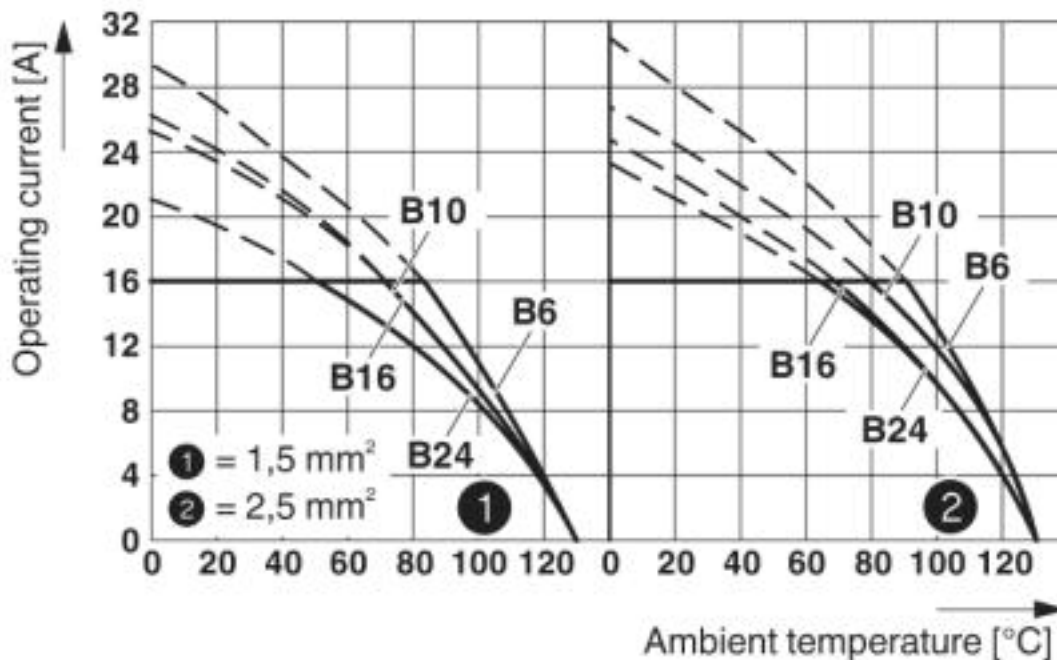
Application drawing



Mounting position PE connection left/right (PEL/PER)

# Terminal adapter - HC-B 16-A-UT-PEL-F - 1648042

Diagram



Derating diagram

## Classifications

eCl@ss

|            |          |
|------------|----------|
| eCl@ss 4.0 | 27140800 |
| eCl@ss 4.1 | 27140800 |
| eCl@ss 5.0 | 27143400 |
| eCl@ss 5.1 | 27261200 |
| eCl@ss 6.0 | 27261200 |
| eCl@ss 7.0 | 27440205 |
| eCl@ss 8.0 | 27440205 |
| eCl@ss 9.0 | 27440222 |

ETIM

|          |          |
|----------|----------|
| ETIM 3.0 | EC000438 |
| ETIM 4.0 | EC000438 |
| ETIM 5.0 | EC000438 |
| ETIM 6.0 | EC000438 |
| ETIM 7.0 | EC000438 |

UNSPSC

|               |          |
|---------------|----------|
| UNSPSC 6.01   | 30211923 |
| UNSPSC 7.0901 | 39121522 |
| UNSPSC 11     | 39121522 |

# Terminal adapter - HC-B 16-A-UT-PEL-F - 1648042

## Classifications

### UNSPSC

|              |          |
|--------------|----------|
| UNSPSC 12.01 | 39121522 |
| UNSPSC 13.2  | 39121421 |
| UNSPSC 18.0  | 39121522 |
| UNSPSC 19.0  | 39121522 |
| UNSPSC 20.0  | 39121522 |
| UNSPSC 21.0  | 39121522 |

## Approvals


### Approvals


#### Approvals


CSA / UL Recognized / cUL Recognized / EAC / EAC / cULus Recognized

#### Ex Approvals

### Approval details

|                            |                                                                                     |                                                                                                                                         |                |
|----------------------------|-------------------------------------------------------------------------------------|-----------------------------------------------------------------------------------------------------------------------------------------|----------------|
| CSA                        |  | <a href="http://www.csagroup.org/services-industries/product-listing/">http://www.csagroup.org/services-industries/product-listing/</a> | 013631_6233_01 |
| Nominal voltage UN         |                                                                                     | 600 V                                                                                                                                   |                |
| Nominal current IN         |                                                                                     | 13 A                                                                                                                                    |                |
| mm <sup>2</sup> /AWG/kcmil |                                                                                     | 22-14                                                                                                                                   |                |

|                            |                                                                                     |                                                                                                                                                       |               |
|----------------------------|-------------------------------------------------------------------------------------|-------------------------------------------------------------------------------------------------------------------------------------------------------|---------------|
| UL Recognized              |  | <a href="http://database.ul.com/cgi-bin/XYV/template/LISEXT/1FRAME/index.htm">http://database.ul.com/cgi-bin/XYV/template/LISEXT/1FRAME/index.htm</a> | FILE E 118976 |
| Nominal voltage UN         |                                                                                     | 600 V                                                                                                                                                 |               |
| Nominal current IN         |                                                                                     | 13 A                                                                                                                                                  |               |
| mm <sup>2</sup> /AWG/kcmil |                                                                                     | 22-14                                                                                                                                                 |               |

|                    |                                                                                     |                                                                                                                                                       |               |
|--------------------|-------------------------------------------------------------------------------------|-------------------------------------------------------------------------------------------------------------------------------------------------------|---------------|
| cUL Recognized     |  | <a href="http://database.ul.com/cgi-bin/XYV/template/LISEXT/1FRAME/index.htm">http://database.ul.com/cgi-bin/XYV/template/LISEXT/1FRAME/index.htm</a> | FILE E 118976 |
| Nominal voltage UN |                                                                                     | 600 V                                                                                                                                                 |               |
| Nominal current IN |                                                                                     | 13 A                                                                                                                                                  |               |

# Terminal adapter - HC-B 16-A-UT-PEL-F - 1648042

## Approvals

|                            |       |
|----------------------------|-------|
|                            |       |
| mm <sup>2</sup> /AWG/kcmil | 22-14 |

|     |  |                          |
|-----|--|--------------------------|
| EAC |  | RU C-<br>DE.AI30.B.01102 |
|-----|--|--------------------------|

|     |  |                          |
|-----|--|--------------------------|
| EAC |  | RU C-<br>DE.BL08.B.00511 |
|-----|--|--------------------------|

|                  |  |  |
|------------------|--|--|
| cULus Recognized |  |  |
|------------------|--|--|

## Accessories

### Accessories

#### Coding element

Coding profile - CP-HC - 1686478



Coding profile, 4 coding profiles per strip, for insertion in coding keyways

Coding element - HC-CST - 1676857



Coding peg for coding up to 16 connectors

Coding element - HC-CBU - 1676860



Coding socket for coding up to 16 connectors



## Terminal adapter - HC-B 16-A-UT-PEL-F - 1648042

### Accessories

Coding bolt - HC-CB - 1772722



Coding pin, prevents mismatching of up to six connectors with an identical number of positions

---

### Mounting material

Foot element - HC-KA-FE - 1775240



Foot element, for mounting on DIN rail NS 32, DIN rail NS 35/7.5 or DIN rail NS 35/15, can be inserted between basic and side element

---

Locking screw barrel - HC-VSH - 1660083



Locking screw barrel, for a firm connection of contact inserts and DIN-rail mountable terminal adapters

---

Screw - HC-B-PES - 1604997



PE screw, for contact inserts HC-B / HC-BB / HC-DD / HC-D40 / HC-D64

---

PE multiplier - HC-B-3PE - 1644326



PE multiplier, for three PE connections, for HC-B (besides HC-B..E..ZZ) / HC-BB / HC-DD / HC-D40 / HC-D64 contact inserts

---

### Additional products

## Terminal adapter - HC-B 16-A-UT-PEL-F - 1648042

### Accessories

Contact insert - HC-B 16-I-UT-M - 1648238



HEAVYCON male insert, B16 series, 16-pos., screw connection