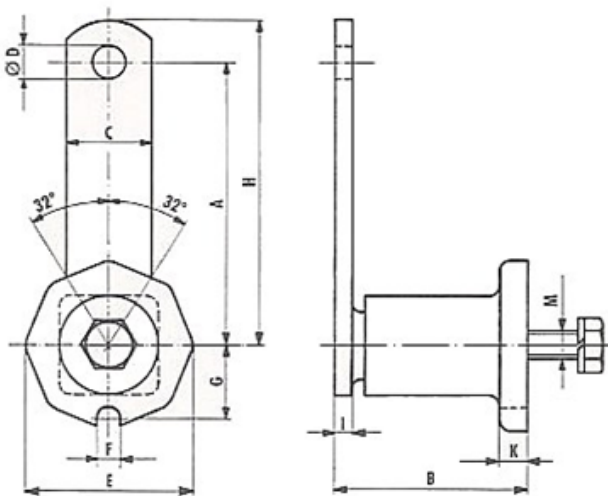




Universal Tensioner series TE



RESATEC® universal rubber tensioners type TE are used throughout the mechanical engineering and allied industries.

Mainly used as belt and chain tensioners they are simply fitted by a single rear mounted bolt and hold in any position by friction. A base flange cutout allows them to be accurately aligned using a simple spigot. They can be supplied with a lead and cadmium free powder-coated finish.

RESATEC® TE tensioners are safe in operation and maintenance-free.

RS Article no.	Type	A	B	C	ØD	E	F	G	H	I	K	M	F in N 0-32°	Weight (kg)
7810756	CRTE2	80	52	20	8.5	38	7	17	90	5	7	M6	0-90	0.25
7810750	CRTE3	100	63	25	10.5	48	7	21	112.5	5	10	M8	0-140	0.45
7810769	CRTE4	100	78	30	10.5	59	8	25	115	6	12	M10	0-320	0.75
7810762	CRTE5	130	108	50	12.5	76	10	34	155	8	15	M12	0-820	1.80

Dimensions in mm