

**Item No: 03658**

# **SIP 12 Ton Bottle Jack**

60mm screw  
extension

Serrated saddle for  
secure load contact

210-415mm  
lifting range

Integrated  
safety valve

Compact and  
lightweight - 7.2kg



Heavy-duty  
cast iron base

# SIP 12 Ton Bottle Jack

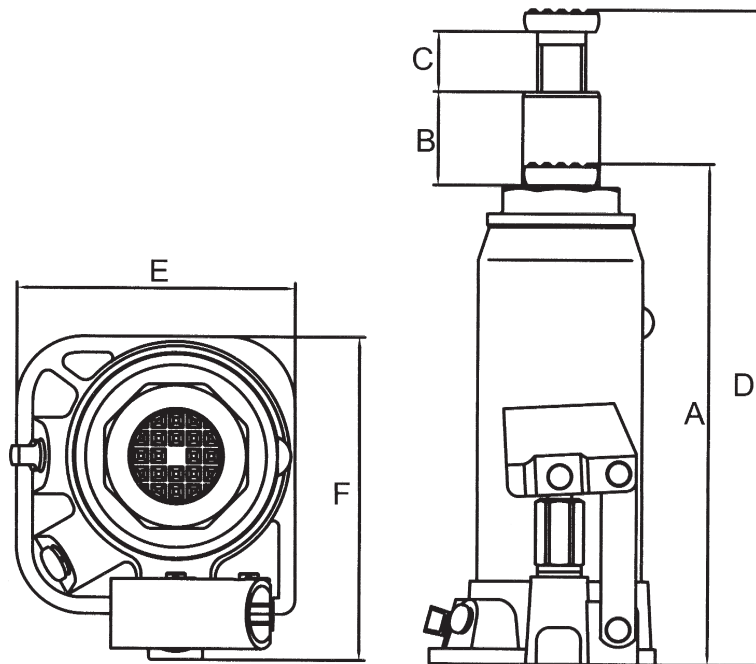
## Features & Benefits

60mm screw extension

Serrated saddle - for secure load contact

Heavy-duty cast iron base

Integrated safety valve



<b>Item No:</b>	<b>03658</b>
Lifting Capacity	12 Ton
A	210mm
B	142mm
C	60mm
D	415mm
E	132mm
F	135mm
Weight	7.2kg

## Contents

12 Ton Bottle Jack

Instruction manual