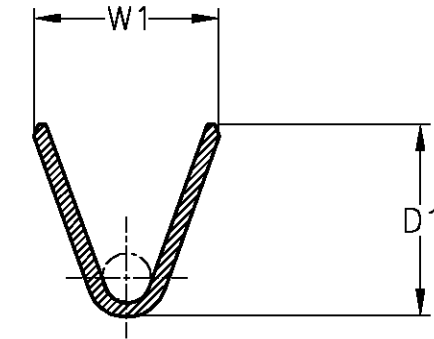
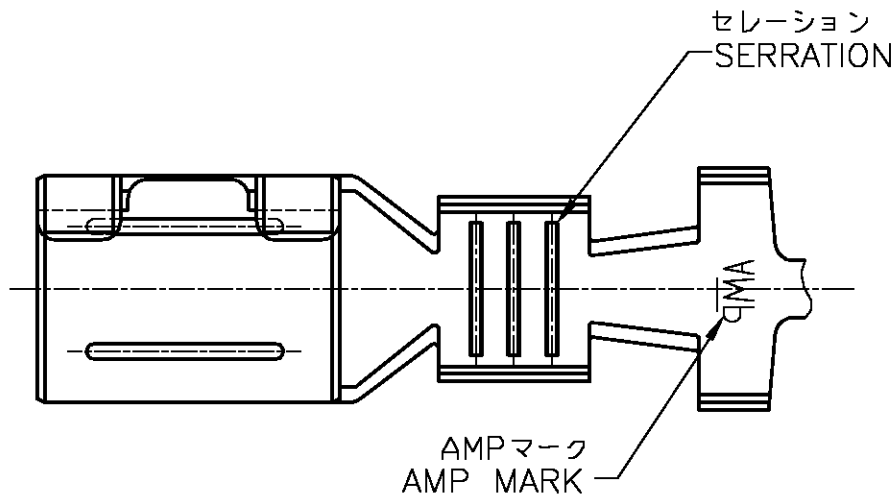
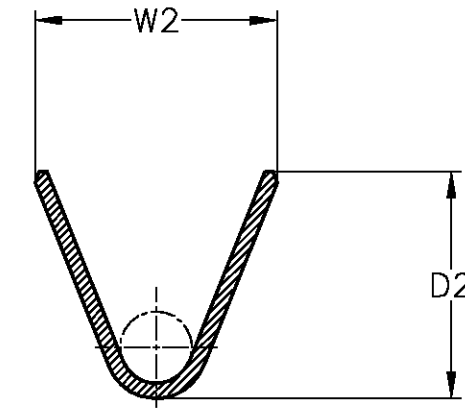
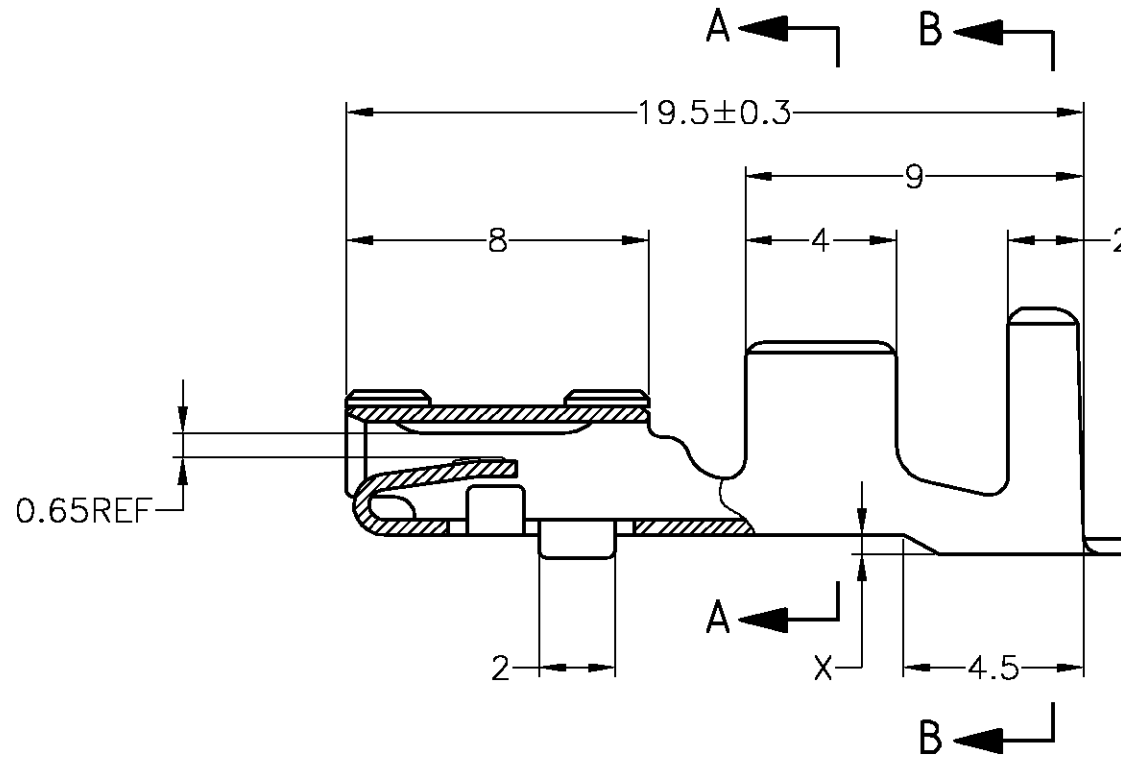
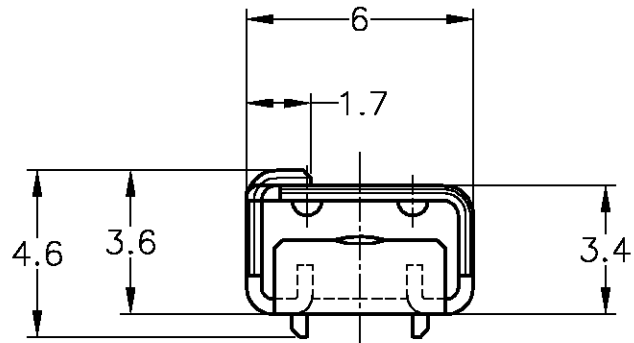


THIS DRAWING IS UNPUBLISHED. RELEASED FOR PUBLICATION
 © COPYRIGHT BY TYCO ELECTRONICS CORPORATION. ALL RIGHTS RESERVED.

LOC	DIST	REVISIONS					
J	-	P	LTR	DESCRIPTION	DATE	DWN	APVD
		01		REDRAWN W/CHANGE	15DEC06	MS	KB
				ECR-06-029451			



A-A



B-B

1. APPLIED TAB CONTACT: 175087-1 (M), 175088-1 (L)

1. 適合タブコンタクト: 175087-1 (M), 175088-1 (L)

2-3	5.5	4.7	6.9	4.9	0.8	Pre Tin	BRASS 0.4t	175091-1
0.5-1.25	4.3	3.4	5.7	3.6	0.6	Pre Tin	BRASS 0.4t	175090-1
WIRE RANGE (mm)	D2	D1	W2	W1	X	FINISH	MATERIAL	AMP PART NUMBER

THIS DRAWING IS A CONTROLLED DOCUMENT.		DWN M.SUGAWARA 15DEC06	Tyco Electronics AMP K.K. Kawasaki, Japan	
DIMENSIONS: 単位: 概 mm		CHK T.SHINOHARA 15DEC06		
TOLERANCES UNLESS OTHERWISE SPECIFIED: 一般公差		APVD K.BETSUI 15DEC06	NAME 名称 187 SERIES SEALED CONNECTOR RECEPTACLE CONTACT	
TOLERANCES UNLESS OTHERWISE SPECIFIED: 一般公差		PRODUCT SPEC 製品規格	APPLICATION SPEC 取付適用規格	
TOLERANCES UNLESS OTHERWISE SPECIFIED: 一般公差		WEIGHT -	SIZE A3	CAGE CODE 00779
MATERIAL 材料 SEE TABLE		FINISH 仕上 SEE TABLE	DRAWING NO 番号 C-175090	
TOLERANCES UNLESS OTHERWISE SPECIFIED: 一般公差		CUSTOMER DRAWING		RESTRICTED TO -
10± : ±0.2 30± >10 : ±0.25 100± >30 : ±0.3 ANGLE : ±3°		SCALE 尺度 5:1		SHEET 1 OF 1
				REV 01