



## Flush handles

### Flush handle 105 x 63.5 mm

This handle has 2 detents at 0° and 90°.

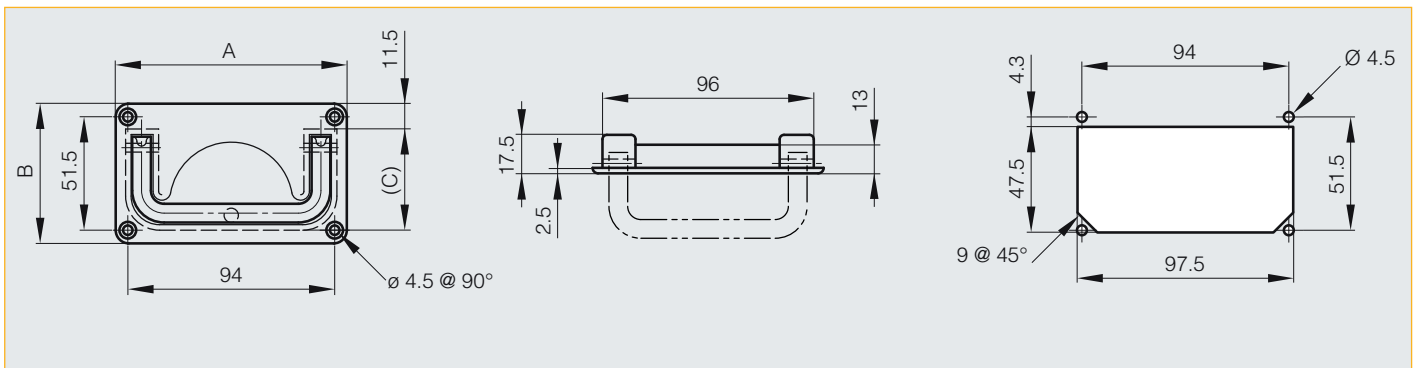
Maximum load : 100 kg.

Handle is chrome plated.

**Delivered unassembled.**



Part number	Material	Finish	A	B	C	Weight (g)
19-7-3605	aluminium	raw	105	63.5	46	123

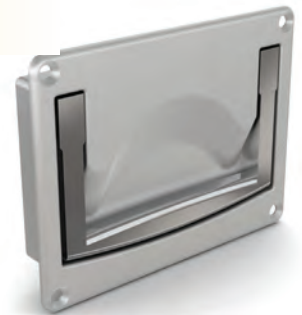


### Flush handle 120 x 91 mm

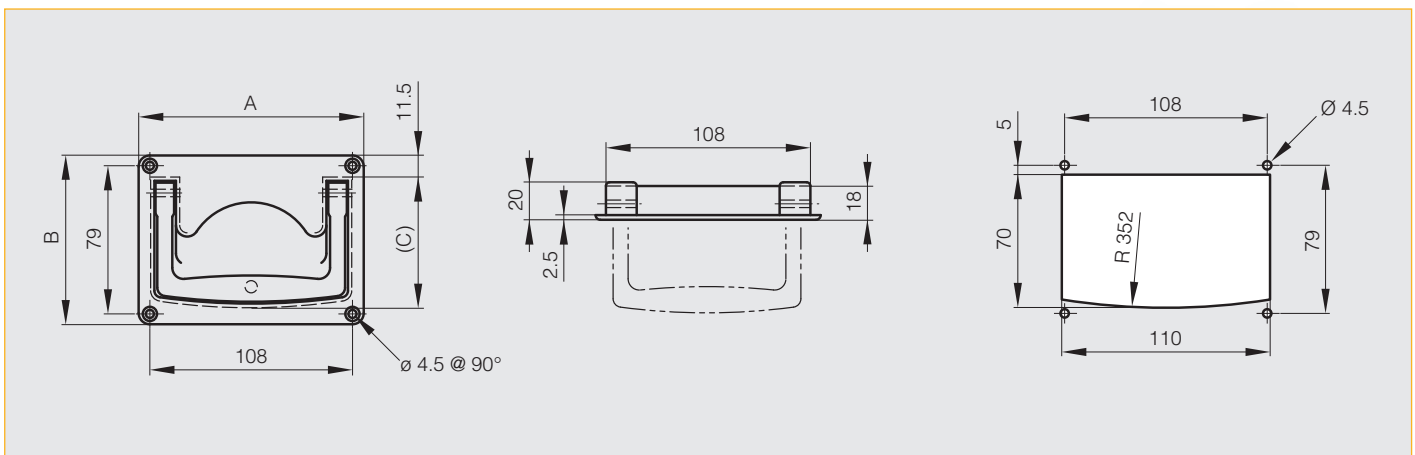
This handle has 2 detents at 0° and 90°.

Maximum load : 100 kg.

**Delivered unassembled.**



Part number	Material	Finish	A	B	C	Weight (g)
19-7-3338	aluminium	raw	120	91	69.5	145





## Flush handles

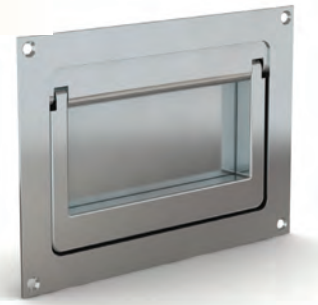
### Flush handle 150 x 105 mm

This handle has 2 detents at 0° and 90°.

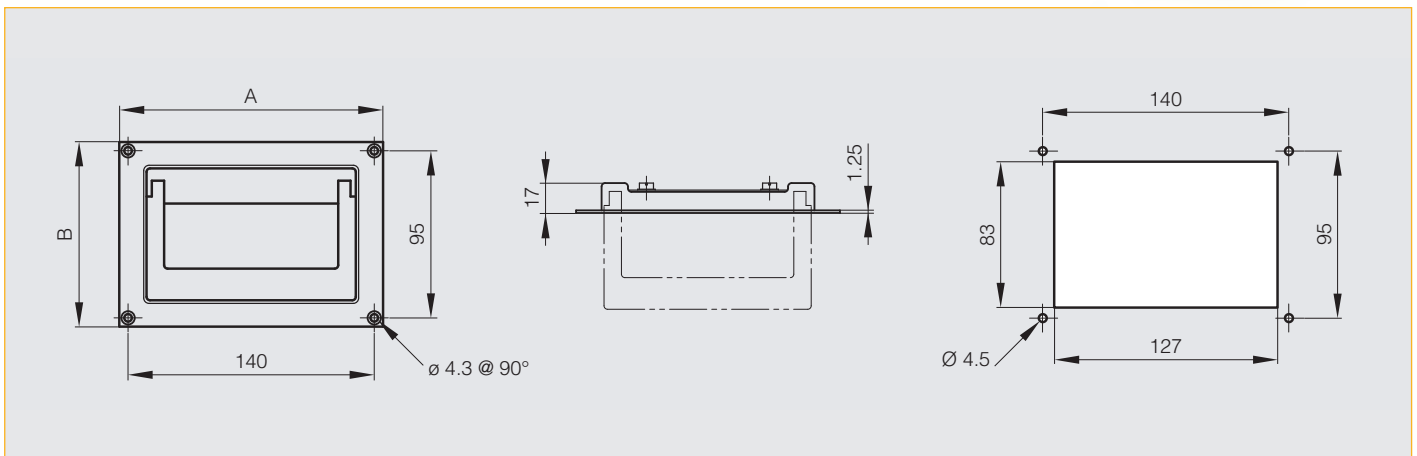
Maximum load : 100 kg.

**Delivered unassembled.**

Cut-out dimension : 83 x 127.



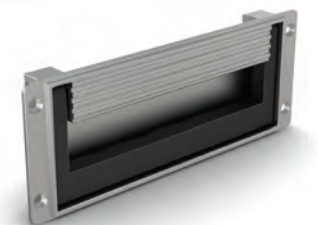
Part number	Material	Finish	A	B	Weight (g)
19-7-3606	steel	zinc plated	150	105	450



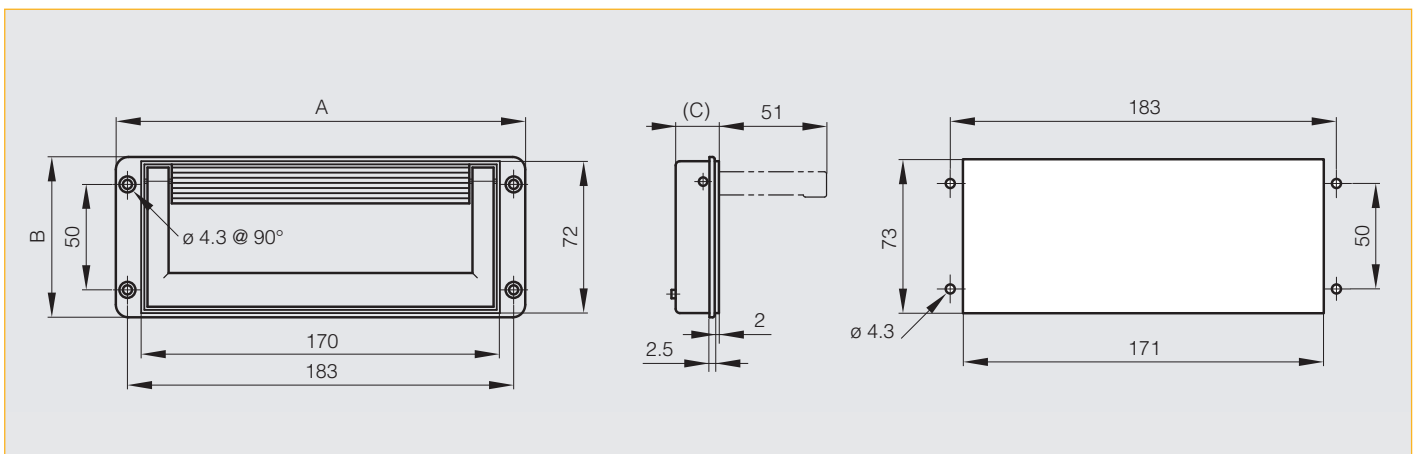
### Flush handle 194 x 76 mm

This handle has 2 detents at 0° and 90°.

Maximum load : 100 kg.



Part number	Material	Finish	A	B	C	Weight (g)
19-7-3643	zinc die-cast	silver varnish / black	194	76	20.5	310





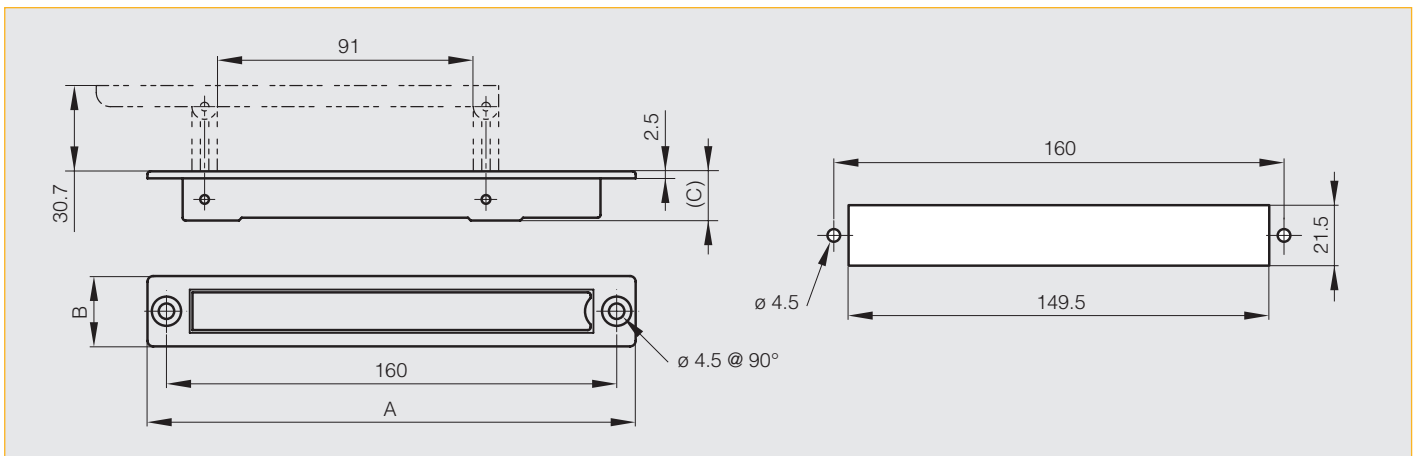
## Flush handles

### Retractable flush handle in plastic

Maximum load : 10 kg/pair



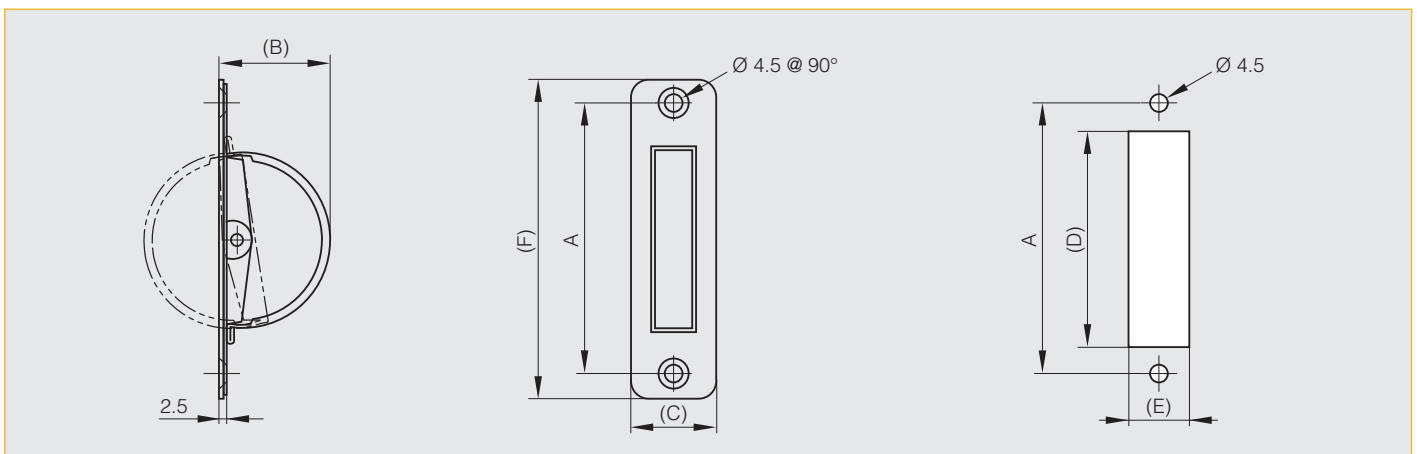
Part number	Material	Finish	A	B	C	Weight (g)
19-7-3668	plastic	grey	173.5	25	17.5	45



### Retractable flush handle in stainless steel



Part number	Material	Finish	A	B	C	D	E	F	Weight (g)
19-7-3814	304 stainless steel	satın	94	42	24	72	18	110	55



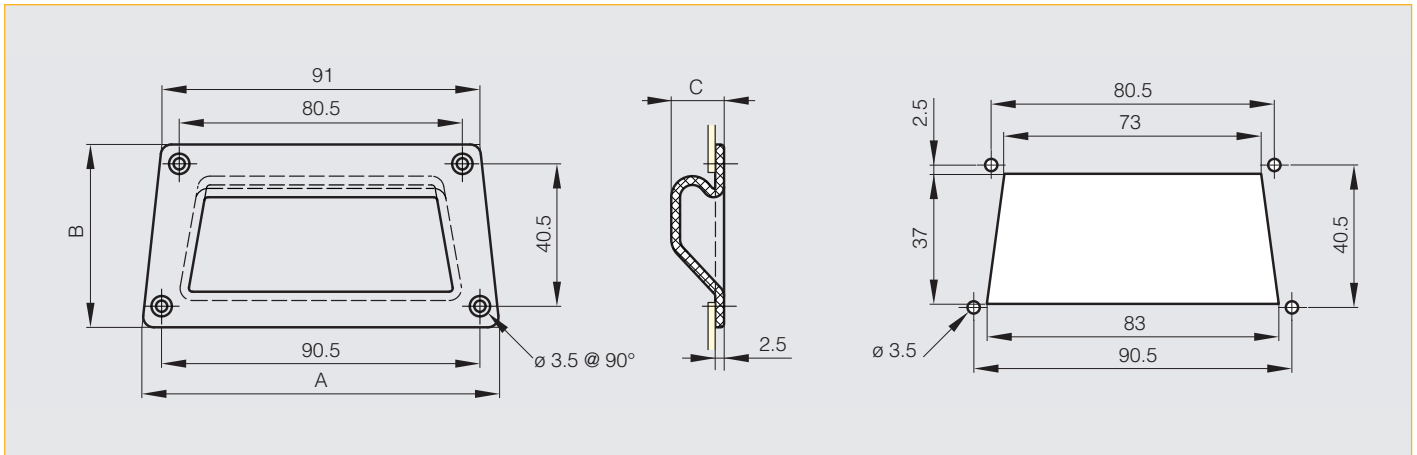


## Flush handles

### Screw-on flush handle 101 x 52 mm



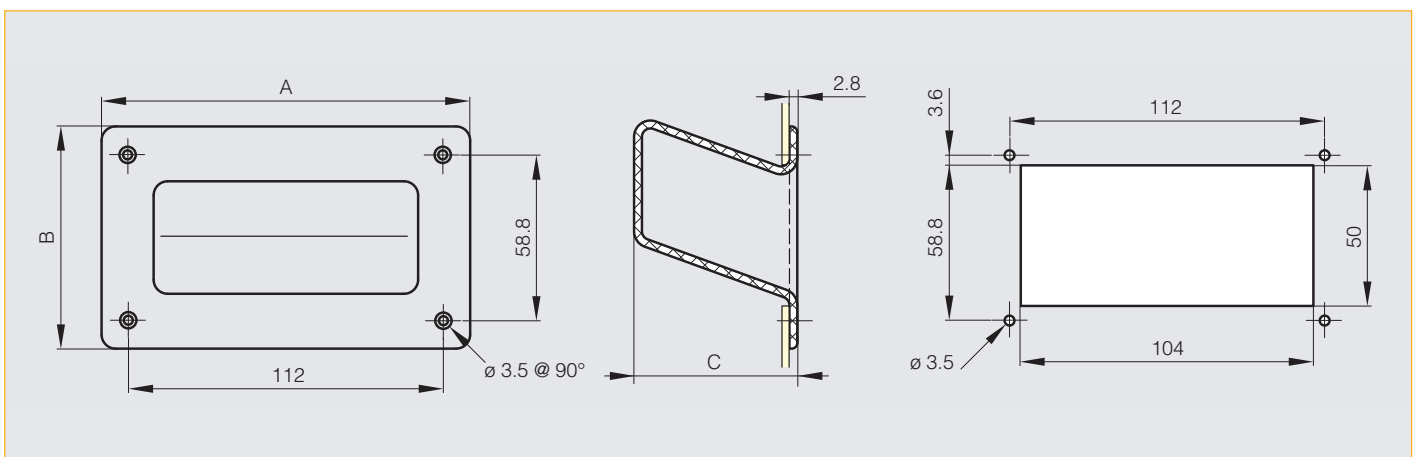
Part number	Material	Finish	A	B	C	Weight (g)
19-7-3642	ABS	grey	101	52	15	20



### Screw-on flush handle 131 x 79 mm



Part number	Material	Finish	A	B	C	Weight (g)
19-7-3667	ABS	black	131	79	58	45



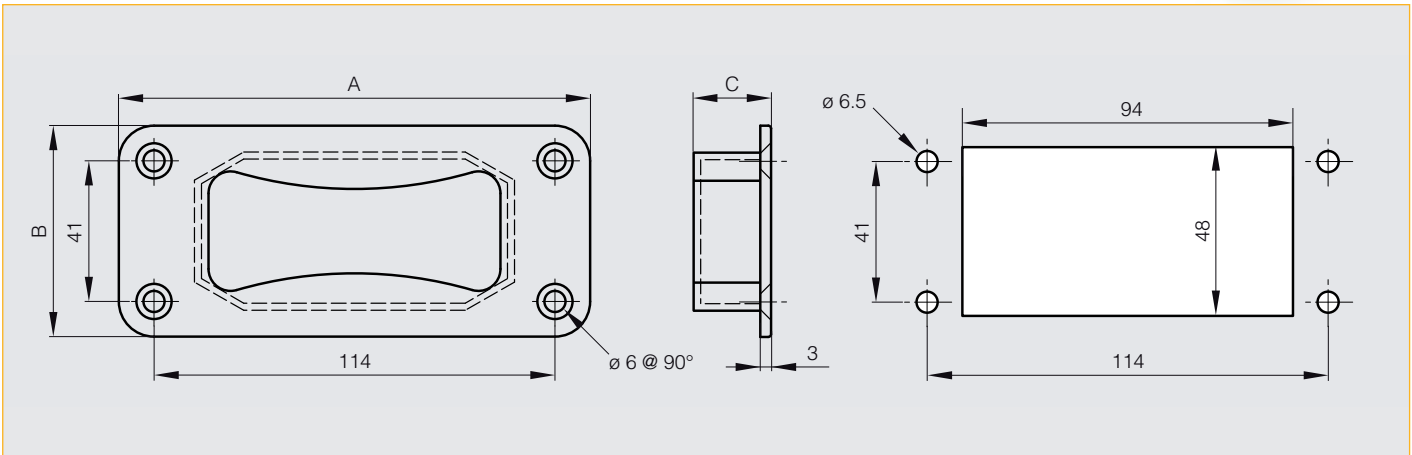


## Flush handles

### Screw-on recessed grab handle

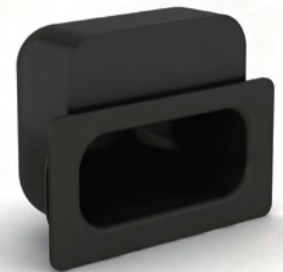


Part number	Material	Finish	A	B	C	Weight (g)
19-7-3815	polyamide	black	133	60	22	50

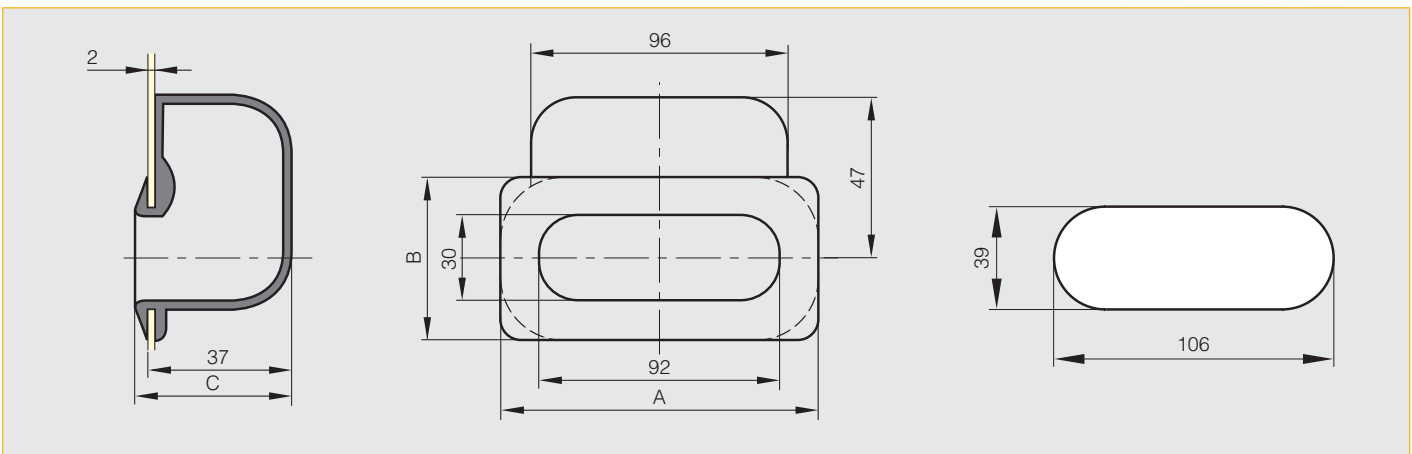


### Recessed handle in elastomer

Snap-in



Part number	Material	Finish	A	B	C	Weight (g)
19-7-3838	elastomer	black	120	58	43	95





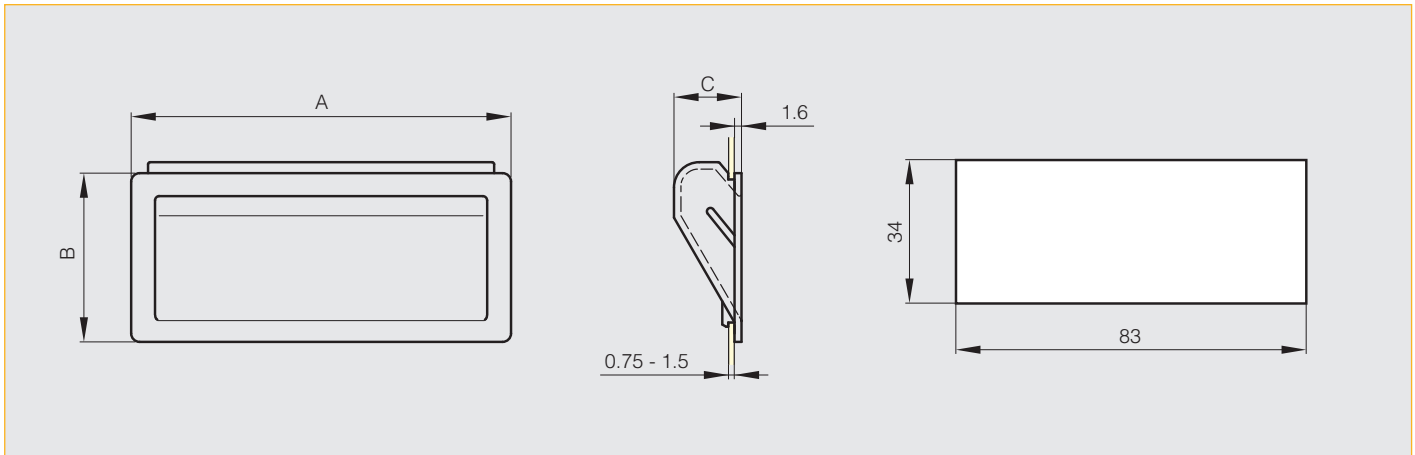
## Flush handles

### Snap-in flush handle 90 x 40 mm

Door thickness : 0.75 to 1.5 mm.



Part number	Material	Finish	A	B	C	Weight (g)
19-1-3687	ABS	black	90	40	16	11

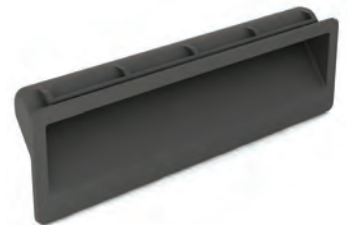


### Snap-in flush handles 137.4 x 37.4 mm or 140 x 36 mm

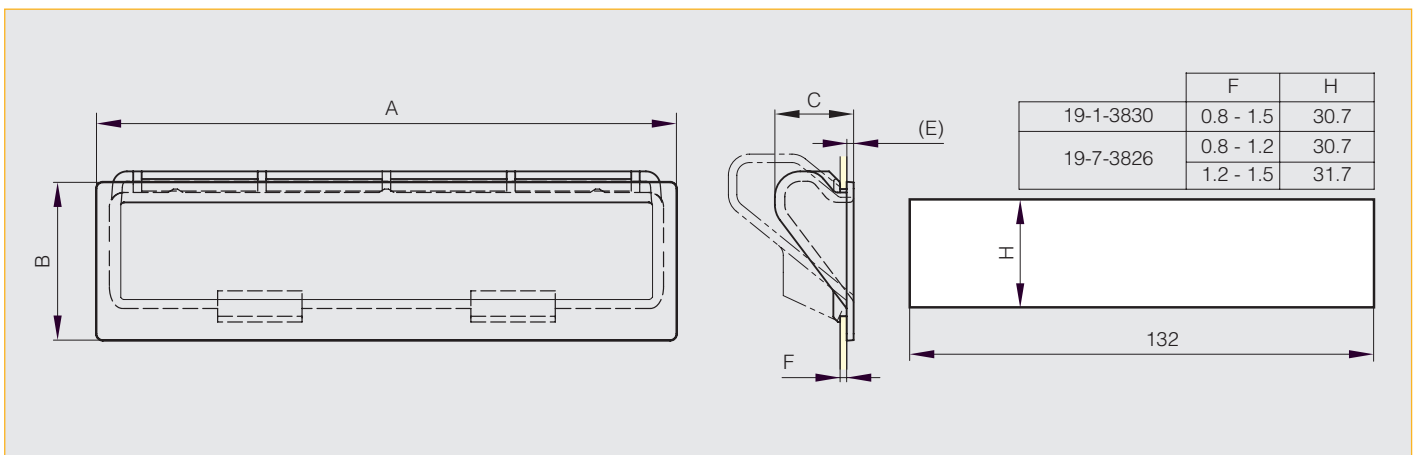
Part number 19-1-3830: cut-out 132 x 30.7 for material thickness from 0.8 to 1.5 mm.

Part number 19-7-3826: cut-out 132 x 30.7 for material thickness from 0.8 to 1.2 mm.

Part number 19-7-3826: cut-out 132 x 31.7 for material thickness from 1.2 to 1.5 mm.



Part number	Material	Finish	A	B	C	E	Weight (g)
19-1-3830	ABS	black	137.4	37.4	18.6	1.6	30
19-7-3826	polyamide	black	140	36	30	2.0	32





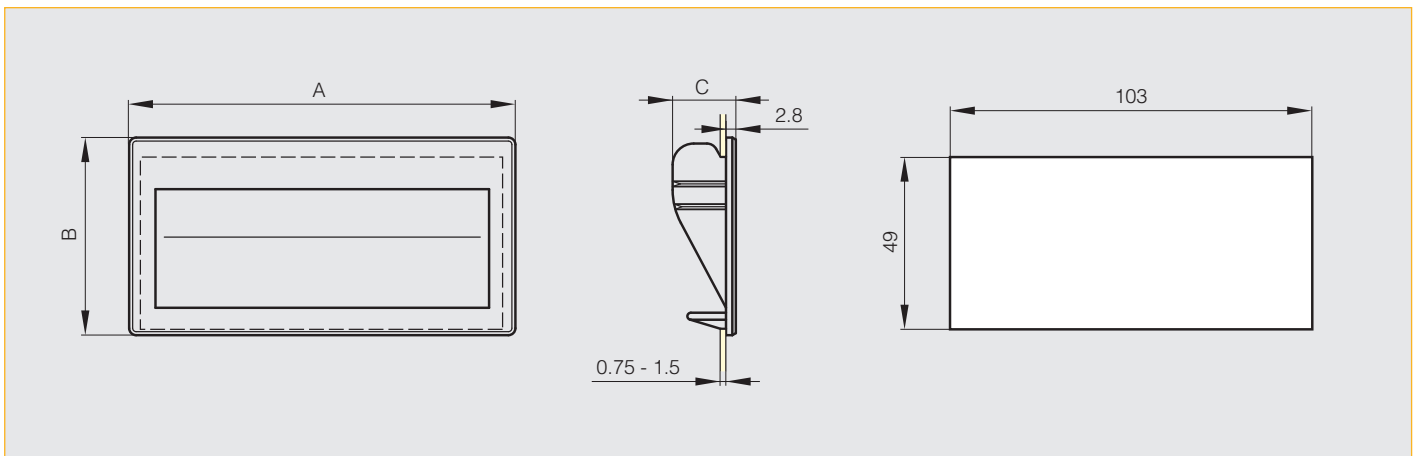
## Flush handles

### Flush handle with fixing clips 110 x 56.3 mm

Door thickness: 0.75 to 1.5 mm.  
Supplied with fixing clips.



Part number	Material	Finish	A	B	C	Weight (g)
19-7-3688	ABS	black	110	56.3	18	32

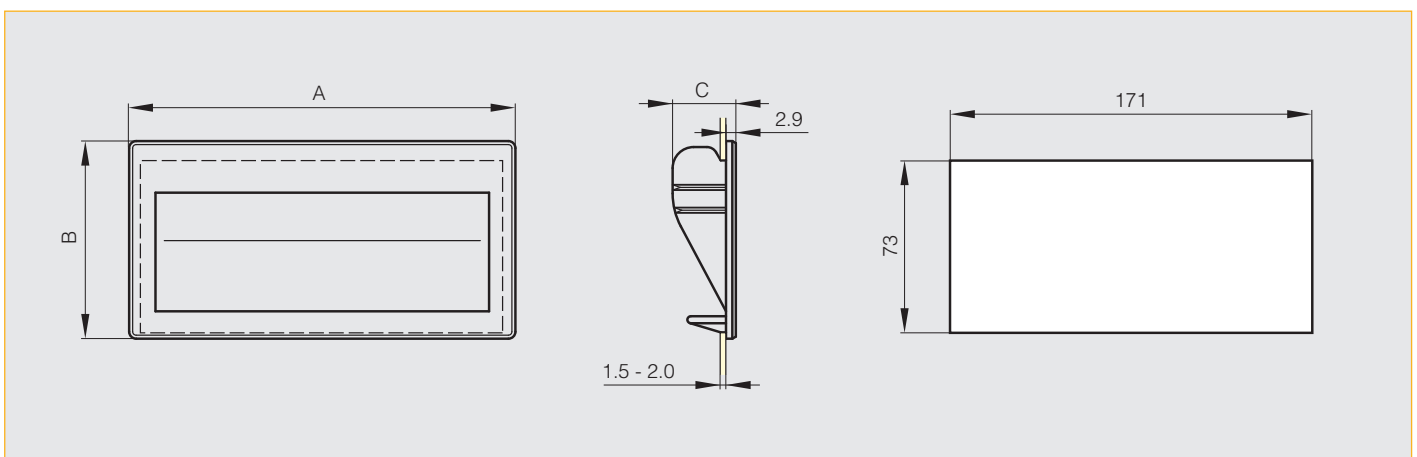


### Flush handle with fixing clips 187 x 79 mm

Door thickness: 1.5 to 2 mm.  
Supplied with fixing clips.



Part number	Material	Finish	A	B	C	Weight (g)
19-7-3689	ABS	black	187	79	22	85



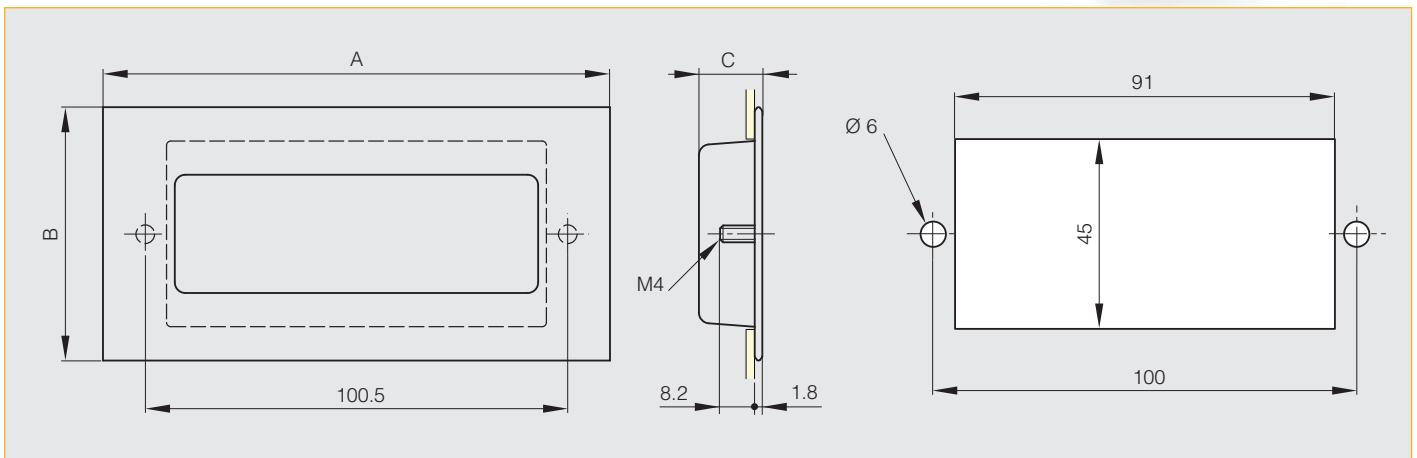


## Flush handles

### Bolt-on flush handle 120 x 60 mm



Part number	Material	Finish	A	B	C	Weight (g)
19-7-3831	304 stainless steel	satın	120	60	15	54



### Bolt-on flush handle 120 x 62 mm



Part number	Material	Finish	A	B	C	Weight (g)
19-7-3832	304 stainless steel	satın	120	62	16	60

