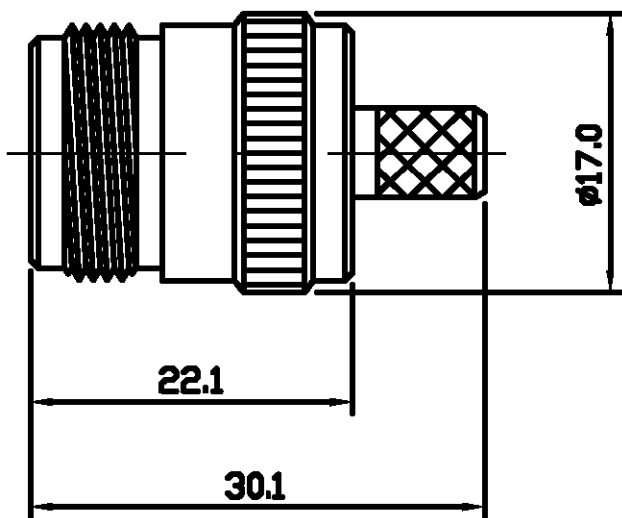


THIS DRAWING IS UNPUBLISHED. RELEASED FOR PUBLICATION 7-9-00 .  
 © COPYRIGHT 2000 BY TYCO ELECTRONICS CORPORATION. ALL RIGHTS RESERVED.

LOC	DIST	REVISIONS			
P	LTR	DESCRIPTION	DATE	DWN	APVD
E	B	B	EB00 - 0304 - 01	20-9-01	RG FWK



△ SUPPLIED SEMI-ASSEMBLED (PACK CONTAINS LOOSE PIECES)  
 VIEW SHOWS ASSEMBLED CONNECTOR (CABLE OMITTED)  
 FOR CABLE TO CONNECTOR ASSEMBLY GUIDANCE  
 REFER TO TYCO INSTRUCTION SHEET I.S 411 - 3247

ALL DIMENSIONS ARE NOMINAL. FOR REFERENCE ONLY.

DIE SET PART NUMBER	N/A
HANDTOOL PART NUMBER	9-1478239-0
FOR USE ON CABLES	RG8A/U, 213A/U, URM67
CONNECTOR PLATING DETAIL	SILVER
CONTACT PLATING DETAIL	SILVER
DIELECTRIC MATERIAL	TEFLON
GASKET MATERIAL	N/A

THIS DRAWING IS A CONTROLLED DOCUMENT.	
DIMENSIONS: MM	TOLERANCES UNLESS OTHERWISE SPECIFIED:
	0 PLC ± 0.5
	1 PLC ± 0.5
	2 PLC ± 0.5
	3 PLC ± -
	4 PLC ± -
	ANGLES ± 0.5
MATERIAL	FINISH
-	-

BAG	SINGLE ITEM	1-1337414-0
PACK TYPE	DESCRIPTION	PART NUMBER
DWN R.SMITH 07-SEP-00	Tyco Electronics Corporation Stanmore, Middlesex, HA7 4RS	
CHK R.GOODALL 07-SEP-00	NAME TYPE-N STRAIGHT JACK CRIMP 50 Ohm	
APVD R.GOODALL 07-SEP-00	PRODUCT SPEC 108-3435	
APPLICATION SPEC	SIZE A3	CAGE CODE 00779
WEIGHT -	DRAWING NO C-1337414	RESTRICTED TO -
CUSTOMER DRAWING	SCALE NTS	SHEET 1 OF 1 REV B