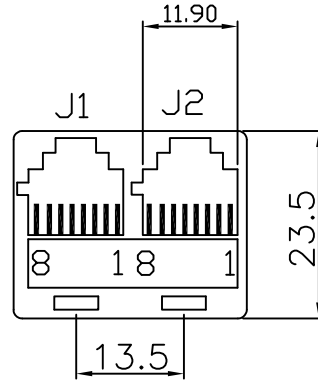
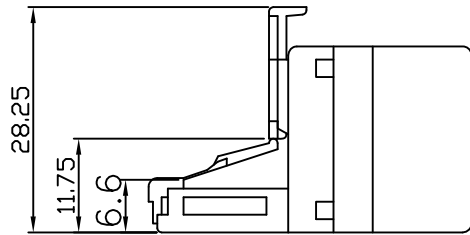


REVISIONS

DATE	LTR	DESCRIPTION	ECN NO
09/21/2005	A	NEW RELEASE	
09/27/2005	B	MODIFY TOLERANCE	
03/22/2007	C	Modify exterior dimension.	0703028



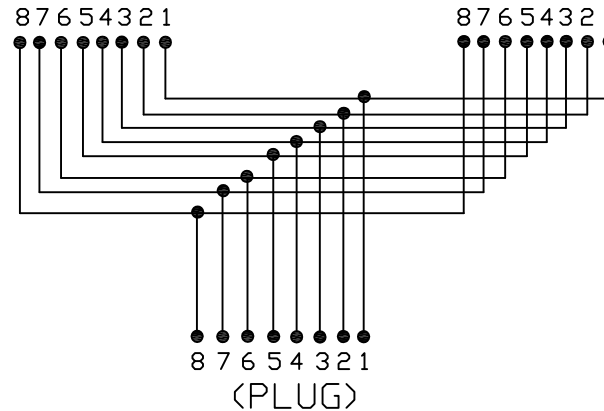
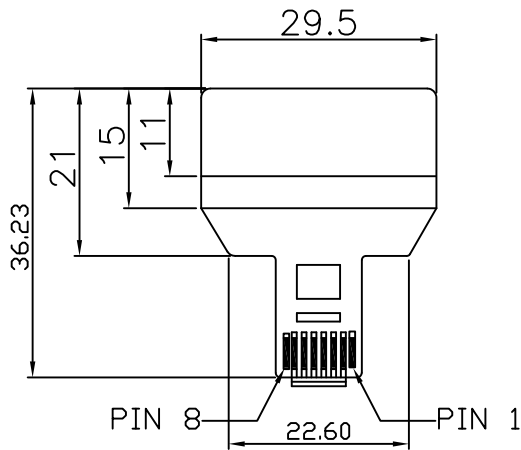
TECHNICAL DATA

HOUSING : STANDARD MATERIAL 15% GLASS FILLED PBT UL94V-2

CONTACT : 0.46 DIAMETER PHOSPHOR BRONZE GOLD PLATED OVER NICKEL

GOLD-PLATING : 0.15 um/6u inch

(J1) (J2) COLOR : IVORY



TOLERANCE :	
X.X	±0.38
X.XX	±0.25
X.XXX	±0.10
UNLESS OTHERWISE SPECIFIED	
TOLERANCE :	
ANGLES : ±2°	
X.X	±0.3
X.XX	±0.15
DO NOT SCALE DRAWING	

TITLE **Modular Male To Two Female adaptor** C3110

DRAWN BY	Oprah	SIZE A	UNIT mm	PART NO. 186-3105	REV. C
CHECKED BY		SCALE	1 : 1	THIRD ANGLE PROJECTION	PAGE 1 OF 1
APPROVED BY		DWG NO. DEWX2001061901X0	ITEM NO. 267-88	DATE 03/22/2007	

