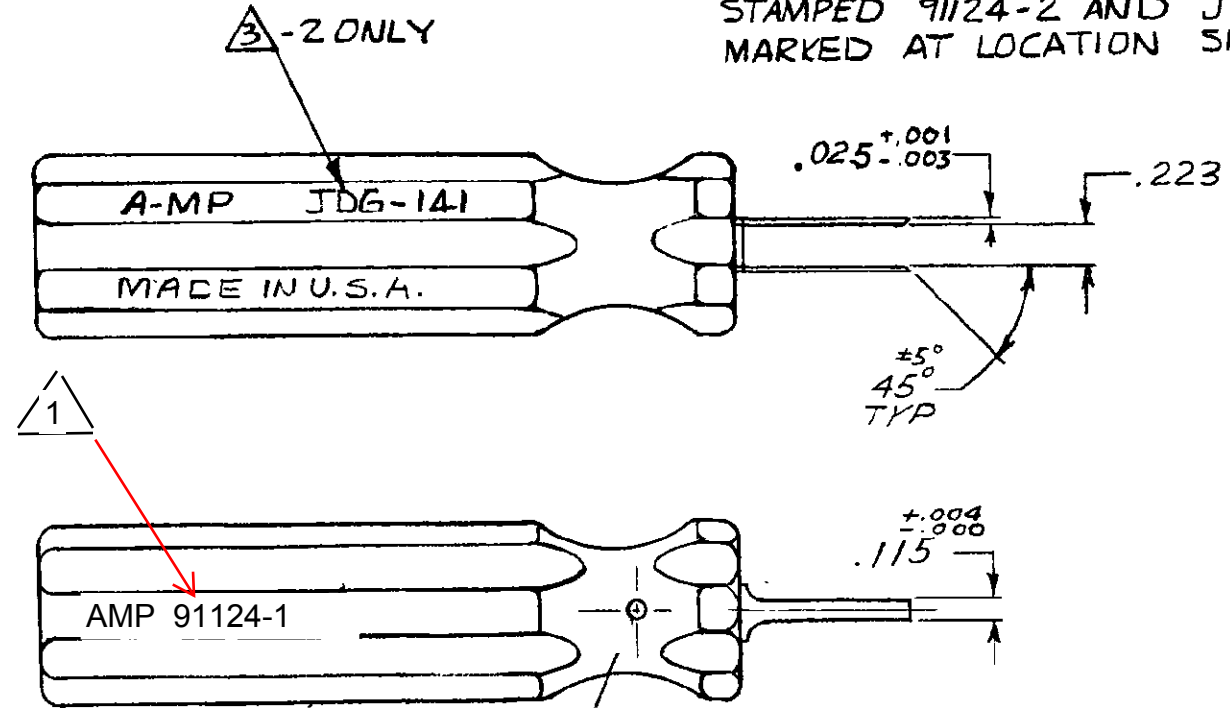


THIS INFORMATION IS CONFIDENTIAL AND IS DISCLOSED TO YOU ON CONDITION THAT NO FURTHER DISCLOSURE IS MADE BY YOU TO OTHER THAN AMP PERSONNEL WITHOUT WRITTEN AUTHORIZATION FROM AMP INCORPORATED, HARRISBURG, PA.

- ② -1 STAMPED AMP 91124-1, MADE IN U.S.A.
- ③ -2 SAME AS -1 EXCEPT:  
STAMPED 91124-2 AND JDG-141  
MARKED AT LOCATION SHOWN.



				DIMENSIONS IN INCHES		MATERIAL		HEAT TREAT		FINISH	
				TOLERANCES UNLESS OTHERWISE SPECIFIED:		DR		APP		TE Connectivity	
				DECIMALS: .00 ± .02,		CJ Hayduk 12/25		Cali 12/15		Harrisburg Pa	
				.000 ± .005, .0000 ± .0005		CHK		REL			
				ANGLES ± 0° 30'		Cali 12/15		CPI Steel 2/176			
				SURF TEXTURE: #J		NAME					
				REMOVE BURRS, BREAK SHARP EDGES .015R MAX		TOOL-EXTRACTION					
SCALE		SHEET		LOC		NO		REV			
1-1		---		DF		B		91124		A	

LOC  
DF  
DIST  
B4