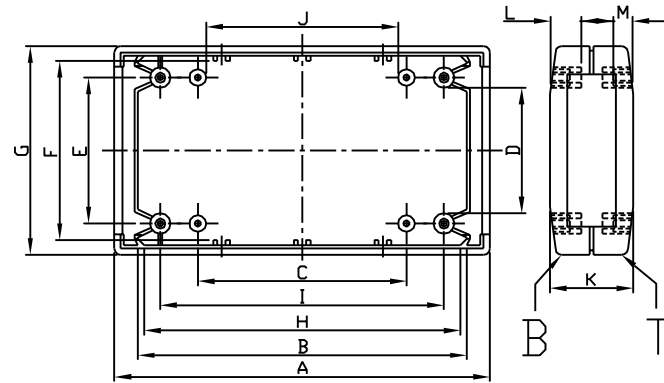
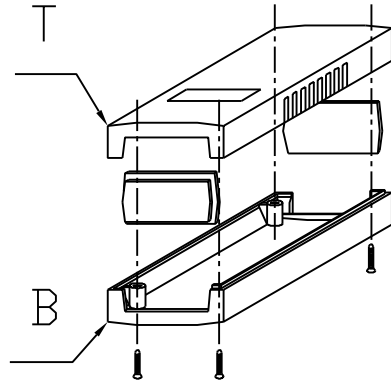


400 SERIES



PART NO.		THE HEIGHT OF PILLARS		T		B	
		L	M	L	M		
G401	G430	5.7	2.6	5.7	2.6		
G403	G431	13.7	2.6	5.7	2.6		
G404	G434	13.7	2.6	13.7	2.6		
G407	G436	12.0	4.4	12.0	4.4		
G410	G438	22.0	4.0	12.0	4.4		
G412	G440	22.0	4.0	22.0	4.0		
G413	G443	13.2	4.1	13.2	4.1		
G416	G445	27.4	4.3	13.2	4.1		
G418	G447	27.4	4.3	27.4	4.3		
G421	G452	16.4	3.8	16.4	3.8		
G422	G454	36.3	3.5	16.4	3.8		
G425	G459	36.3	3.5	36.3	3.5		

	G430	G431	G434	G436	G438	G440	G443	G445	G447	G452	G454	G459
A	90	90	90	120	120	120	150	150	150	190	190	190
B	83	83	83	111	111	111	138	138	138	180	180	180
C	50	50	50	80	80	80	110	110	110	150	150	150
D	27.5	27.5	27.5	26	26	26	46	46	46	65	65	65
E	35	35	35	35	35	35	55	55	55	75	75	75
F	40.5	40.5	40.5	44	44	44	70	70	70	83	83	83
G	50	50	50	60	60	60	80	80	80	100	100	100
H	79.4	79.4	79.4	108	108	108	138	138	138	176	176	176
I	68	68	68	98	98	98	128	128	128	168	168	168
J	42.5	42.5	42.5	72	72	72	100	100	100	140	140	140
K	16	24	32	30	40	50	31	45	60	40	60	80

According to ISO 2768-m

Measuring DIM.=L	Tolerance
0.5<L≤3.0 mm	±0.1 mm
3.0<L≤6.0 mm	±0.1 mm
6.0<L≤30.0 mm	±0.2 mm
30.0<L≤120.0 mm	±0.3 mm
120.0<L≤400.0 mm	±0.5 mm
400.0<L≤1000.0 mm	±0.8 mm



設計 DES'D BY	繪圖 DRA'D BY	核圖 CHK'D BY	比例 SCALE	日期 DATE	材質 MATE.	圖名 TITLE:	圖號 DWG NO.:	版次 REVISION	說明 DESCRIPTION
	Spencer			Sep.20,2006	ABS	400 SERIES		B	