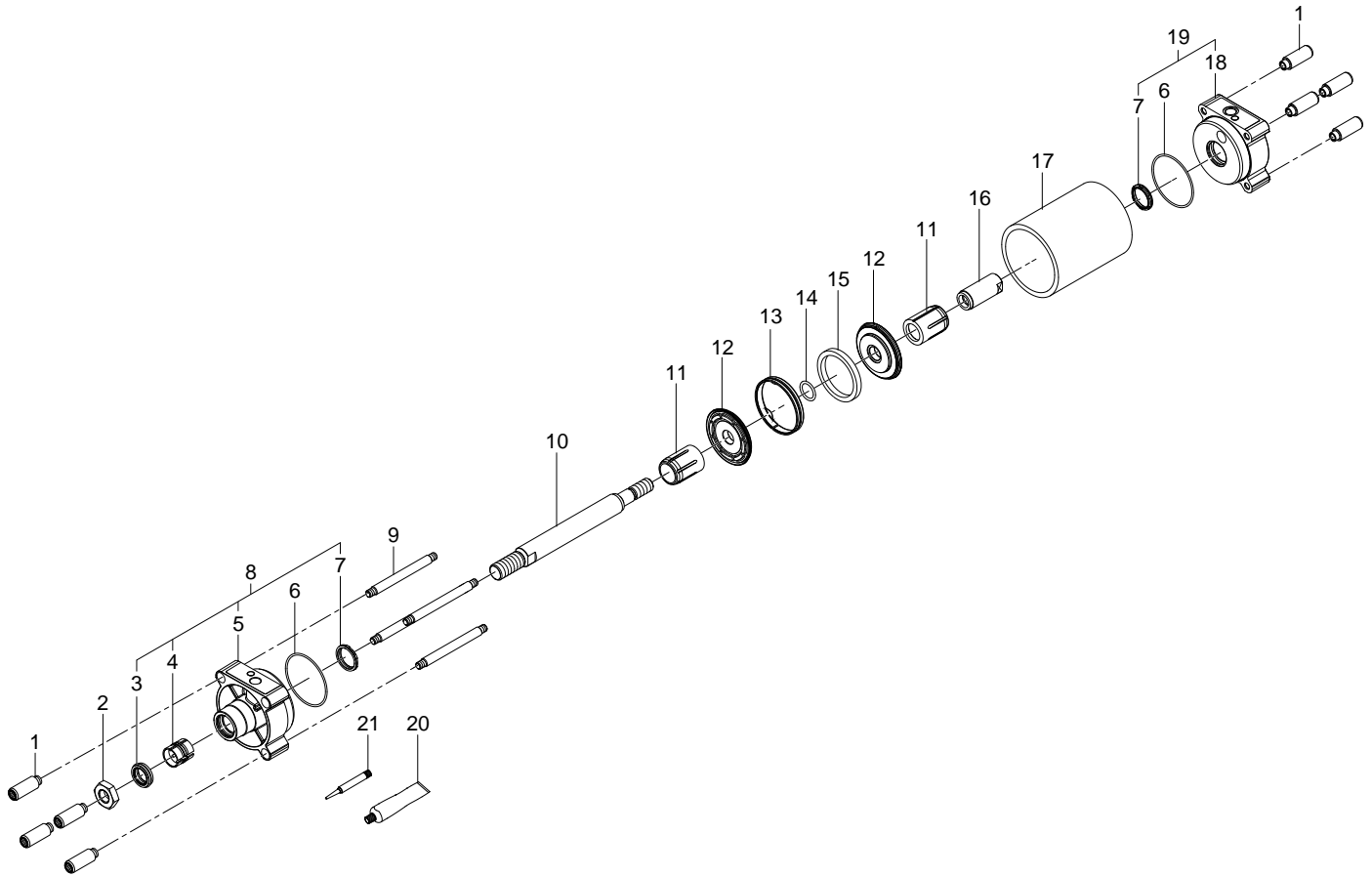


2159919 DSBG-125-500-PPSA-N3 standards-based cylinder - Series: All



2159919 DSBG-125-500-PPSA-N3 standards-based cylinder - Series: All

Pos.	Part no.	Type	Note	Qty.	Unit
A	8004985	DSBC/G- 125- - Set of wearing parts	Spare parts: 3, 6, 7, 12, 13, 14, 20, 21 Replacing the wearing parts	1	PC
1	1279720	DSBG-125 Collar nut	Tightening torque 32 Nm / 23.6 lbf ft Use locking compound. See position 21	8	PC
2	223527	DIN 439-B-M27X2-04 Hex nut		1	PC
3	673133	WIFC2-32X42X11,2-TPE-U Wiper seal	Grease using during assembly. See position 20	1	PC
4	1207564	DSBX-125 Bearing	Grease using during assembly. See position 20	1	PC
5		DSBC/G-125:CO Bearing cap	Not available separately, see position 8	1	PC
6		B-125X1,5-N-NBR70 O-ring ISO3601	Not available separately, see position A Grease using during assembly. See position 20	2	PC
7		40,0X50,0X7,8 NBR Buffer seal	Not available separately, see position 8+19+999 Grease using during assembly. See position 20	2	PC
8	3325221	DSBC/G-125-P/PPS Bearing cap module		1	PC
9	2000171	DSBG-125- Tie rod	When ordering please specify the stroke (see type plate)	4	PC
10	753080	DSBG-YP-125- - Piston rod	When ordering please specify the configuration (see type plate)	1	PC
11	1357007	125-PPS Buffer sleeve		2	PC
12		BA-K01D-125 Piston module	Not available separately, see position A	2	PC
13		BA-K01F-125 Guiding band	Not available separately, see position A	1	PC
14		B-20X2-N-NBR70 O-ring ISO3601	Not available separately, see position A Grease using during assembly. See position 20	1	PC
15	216909	7X7X353,5 Magnetic tape		1	PC
16	364164	M20X1.5-D125 Threaded coupling	Tightening torque 170 Nm / 125.4 lbf ft Use locking compound. See position 21	1	PC
17		DSBG-125- Cylinder barrel	Not available Grease using during assembly. See position 20	1	PC
18		DSBC/G-125:CO End cap	Not available separately, see position 19	1	PC
19	3325222	DSBC/G-125-P/PPS End cap module		1	PC
20	684474	LUB-KC1 SILIKONFREI 20ML Lubricating grease		2	PC
21	8181257	CYBERBOND TM44 TB3ML Adhesive bonding agent		1	PC