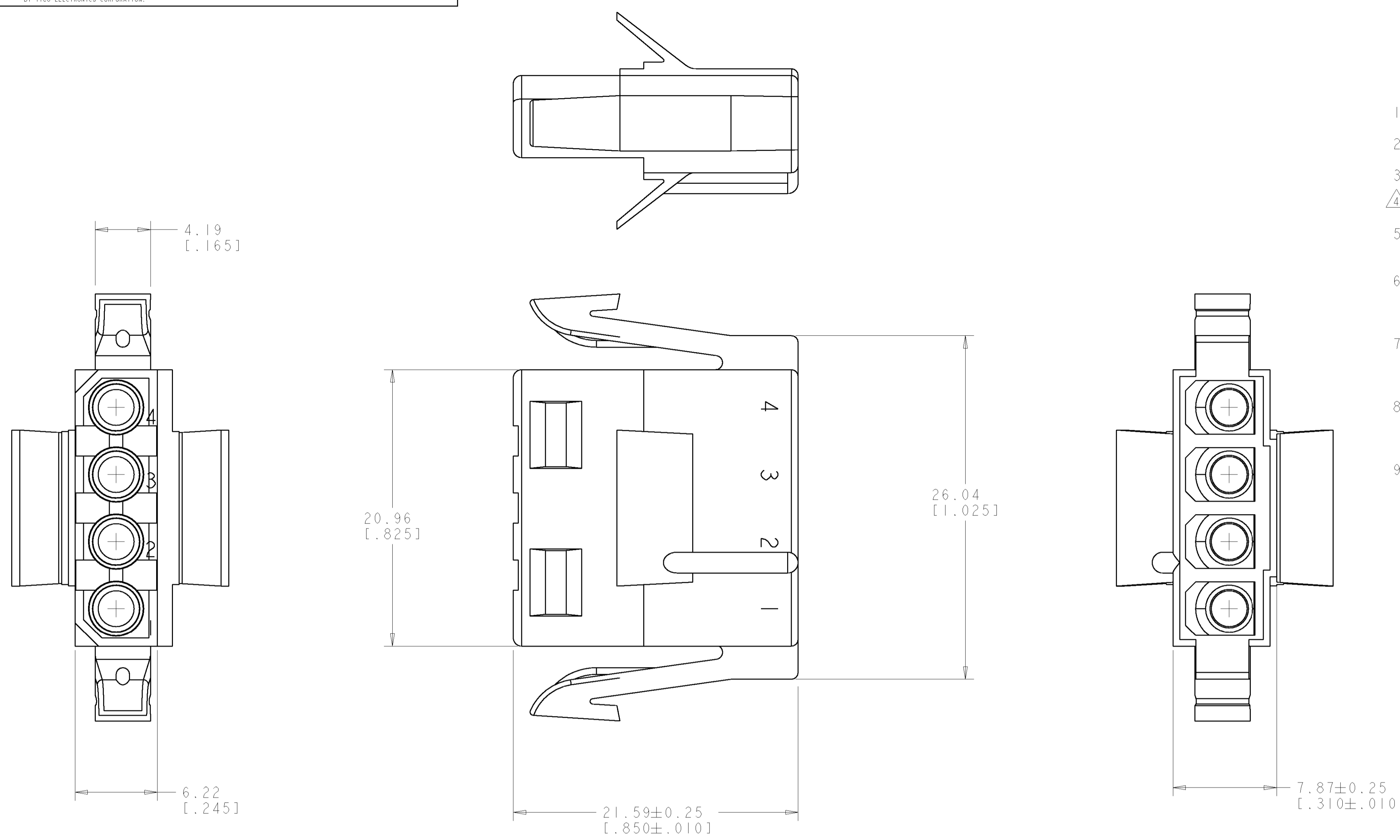
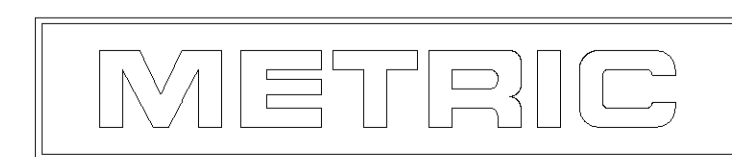
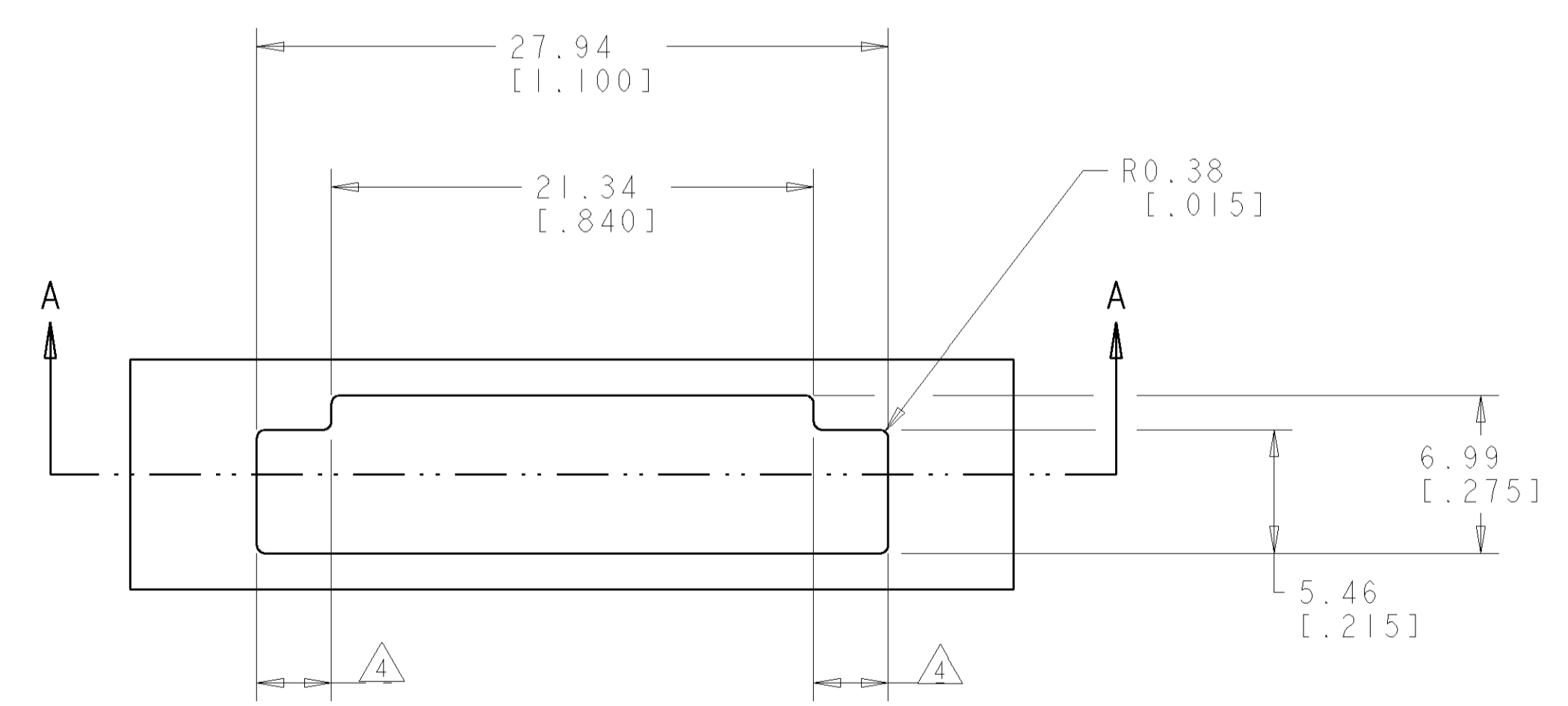


LOC	DIST	REVISIONS					
		P	LTR	DESCRIPTION	DATE	DWN	APPR
CM	00	R		REVISED PER 0638-0171-01	05-OCT-01	RW	DC



1. THIS PLUG TO BE USED WITH CAP 480426.
2. TO BE USED WITH MATE-N-LOK SOCKETS.
3. RECOMMENDED PANEL THICKNESS 0.64 - 1.65 [0.025 - .065].
4. DIMENSIONS TO BE EQUAL WITHIN 0.13 [0.005].
5. THE PANEL MUST BE PUNCHED SO THAT THE HOUSING ENTERS THE PANEL IN THE SAME DIRECTION AS THE PUNCH.
6. BOTH LOCKING LEGS ARE TO BE SQUEEZED TOGETHER AND HOUSING INSERTED "STRAIGHT IN" AS OPPOSED TO A ROCKING MANNER OF INSERTION.
7. PANEL MUST NOT HAVE ANY MATERIAL (PAINT, PORCELAIN, ETC.) APPLIED IN THE MOUNTING HOLE AREA THAT WOULD DECREASE RETENTION OF THE HOUSING IN THE PANEL.
8. IF NOTES 5 AND 7 ARE NOT COMPLIED WITH THE 27.94 [1.100] DIMENSION SHOULD BE REDUCED TO 27.43 [1.080] TO ASSURE PROPER RETENTION IN THE PANEL.
9. DIMENSIONS IN BRACKETS ARE IN INCHES.



COLOR	MATERIAL	PART NUMBER
NATURAL	HI-TEMP NYLON	3-480425-0
NATURAL	NYLON	1-480425-0

DIMENSIONS: mm [INCHES]		TOLERANCES UNLESS OTHERWISE SPECIFIED: 0 PLC ± 1 PLC ± 2 PLC ±0.13 [1.005] 3 PLC ± 4 PLC ± ANGLES ±		FINISH -		DIMENSIONS: mm [INCHES]		TOLERANCES UNLESS OTHERWISE SPECIFIED: 0 PLC ± 1 PLC ± 2 PLC ±0.13 [1.005] 3 PLC ± 4 PLC ± ANGLES ±		FINISH -	
MATERIAL SEE TABLE		MATERIAL SEE TABLE		MATERIAL SEE TABLE		MATERIAL SEE TABLE		MATERIAL SEE TABLE		MATERIAL SEE TABLE	
CUSTOMER DRAWING		CUSTOMER DRAWING		CUSTOMER DRAWING		CUSTOMER DRAWING		CUSTOMER DRAWING		CUSTOMER DRAWING	

DWN R. WHITAKER 05-OCT-2001 ENK D. COLEY 05-OCT-2001 APVD D. COLEY 05-OCT-2001		Tyco Electronics Harrisburg, PA 17105-3608	
NAME PLUG, 4 CIRCUIT, PANEL MOUNT, MATE-N-LOK™		RESTRICTED TO	
SIZE CAGE CODE DRAWING NO. A1 00779 C-480425		SCALE 5:1 SHEET 1 OF 1 REV R	