

## Semi-rotary drives DRVS

**FESTO**



Festo core product range  
Covers 80% of your automation tasks

Worldwide:

Always in stock

Superb:

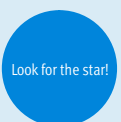
Festo quality at an attractive price

Easy:

Reduces procurement and storing complexity

★ Ready for dispatch from the Festo factory in 24 hours  
Held in stock in 13 service centres worldwide  
More than 2200 products

★ Ready for dispatch in 5 days maximum from stock  
Assembled for you in 4 service centres worldwide  
Up to 6 x 10<sup>12</sup> variants per product series



## Semi-rotary drives DRVS

Key features

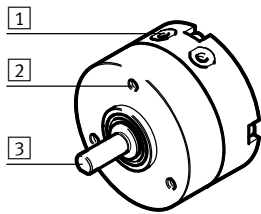
### Key features at a glance

- Double-acting semi-rotary drive with rotary vanes
- Lighter than other semi-rotary drives
- Modern and compact design
- Fixed swivel angle
- Swivel angle can be adjusted with the help of accessories
- Housing protected against splash water and dust
- No metal fixed stop

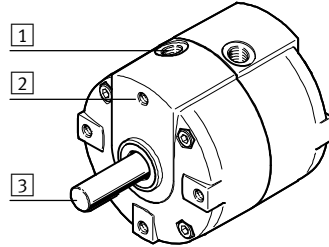
### The technology in detail

Semi-rotary drive DRVS

Size 6, 8



Size 12 ... 40



- 1 Pneumatic connection
- 2 Mounting thread
- 3 Output shaft:  
Size 6 ... 16: with flat  
Size 25 ... 40: with feather key

### Position sensor SRBS

The position sensor is used for sensing the end positions.

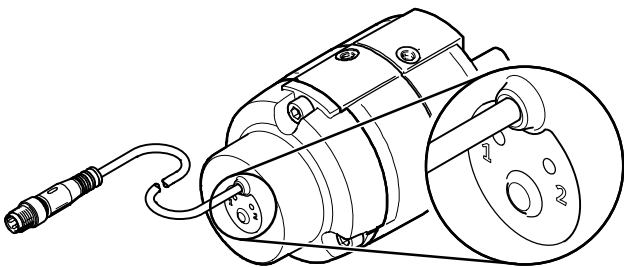
Sensing is performed magnetically and without contact. Two switching points are output.

#### Key features:

- Quick installation
- Simple and reliable operation using one button
- The end positions of the swivel angle are taught in at the touch of a button
- Only one connecting cable required
- Long service life thanks to sturdy and non-contacting position sensing

#### Technical data:

- Sensing range: 0 ... 270°
- Repetition accuracy:  $\leq 1^\circ$
- 2 switching outputs (24 V)
- Switching output: PNP or NPN programmable
- Switching element function: N/O contact or N/C contact programmable



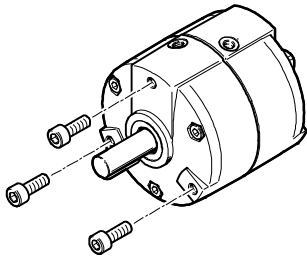
# Semi-rotary drives DRVS

Type codes

## Mounting options

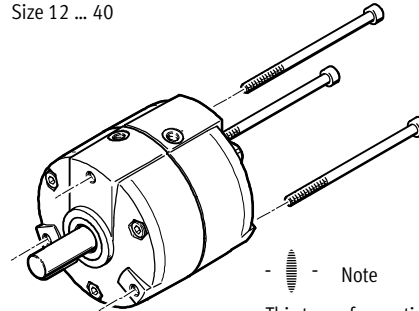
Via internal thread

Size 6 ... 40



With through-hole

Size 12 ... 40

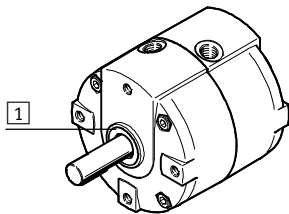


 Note

This type of mounting is not permissible in combination with accessories.

## Centring via centring collar

Size 6 ... 40



**1** Centring collar

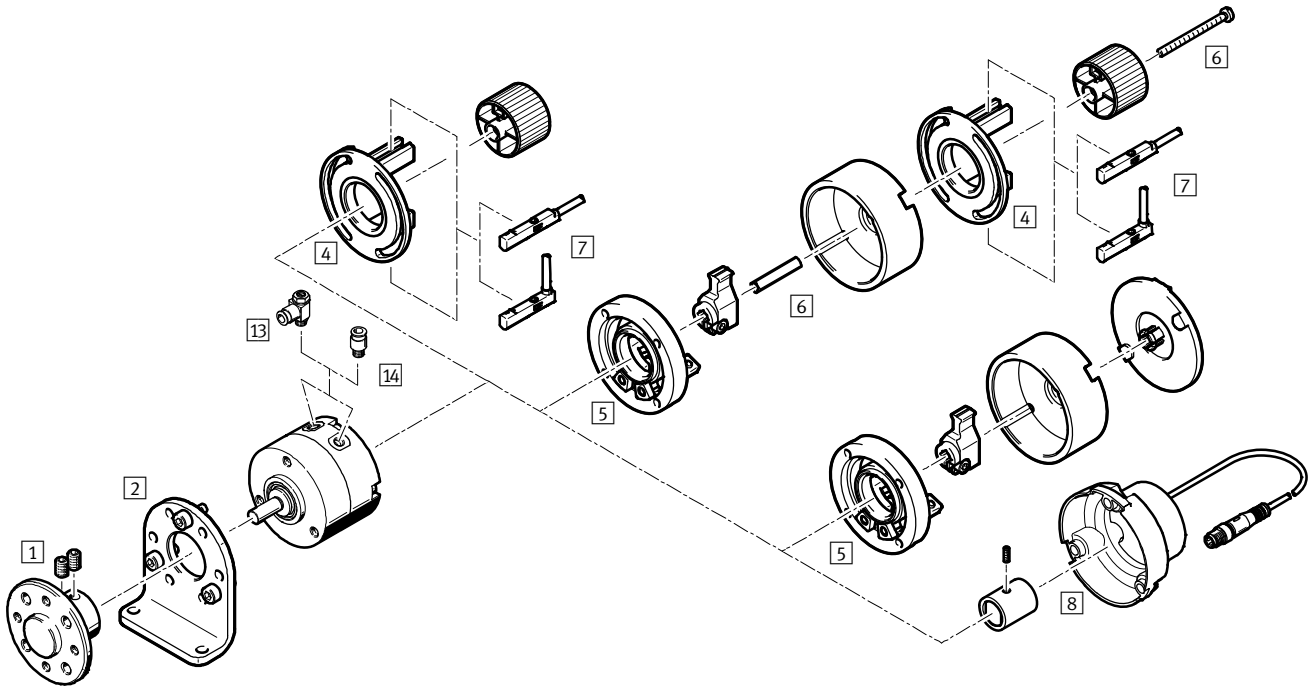
## Type codes

	DRVS	-	12	-	180	-	P	-	
<b>Type</b>									
Double-acting									
DRVS	Semi-rotary drive								
<b>Size [mm]</b>									
<b>Swivel angle [°]</b>									
<b>Cushioning</b>									
P	Elastic cushioning at both ends								
<b>EU certification</b>									
EX4	II 2GD								

# Semi-rotary drives DRVS

Peripherals overview

**Size 6 and 8**

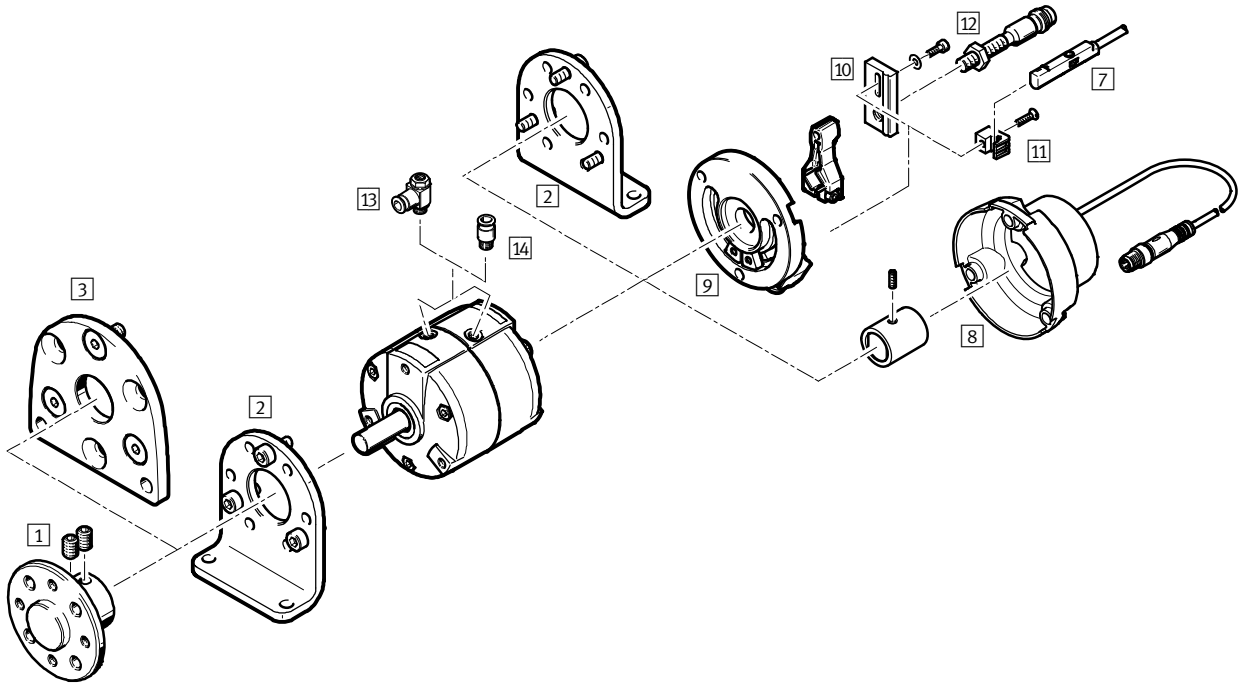


Accessories	Description	→ Page/ Internet
1 Push-on flange FWSR/DARF	For mounting attachments	17
2 Foot mounting DAMH	<ul style="list-style-type: none"> <li>For mounting the semi-rotary drive</li> <li>Front mounting only</li> </ul>	14
4 Mounting kit WSM-...-SME-10	<ul style="list-style-type: none"> <li>For sensing the swivel angle</li> <li>For mounting the proximity sensor SME-/SMT-10</li> <li>Must be ordered separately as an accessory</li> <li>Can be combined with stop kit KSM</li> <li>The adapter kit DADP-AK must also be ordered in combination with stop kit KSM → Page 18</li> </ul>	18
5 Stop kit KSM	<ul style="list-style-type: none"> <li>For adjusting the swivel angle</li> <li>Must be ordered separately as an accessory</li> <li>Can be combined with mounting kit WSM</li> <li>The adapter kit DADP-AK must also be ordered in combination with mounting kit WSM → Page 18</li> </ul>	18
6 Adapter kit DADP-AK	For attaching mounting kit WSM to stop kit KSM	18
7 Proximity sensor SME/SMT-10	For sensing the end position	22
8 Position sensor SRBS	<ul style="list-style-type: none"> <li>For sensing the swivel angle</li> <li>Can only be mounted directly on the swivel module, without other accessories</li> <li>Must be ordered separately as an accessory</li> <li>The scope of delivery of the position sensor includes a magnet, which must be mounted on the shaft of the semi-rotary drive</li> </ul>	19
13 One-way flow control valve GRLA	For speed regulation	23
14 Push-in fitting QS	For connecting compressed air tubing with standard O.D.	qs

# Semi-rotary drives DRVS

Peripherals overview

Size 12 ... 40

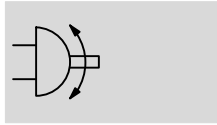



Accessories	Description	→ Page/ Internet
1 Push-on flange DARF	For mounting attachments	17
2 Foot mounting DAMH	<ul style="list-style-type: none"> <li>For mounting the semi-rotary drive</li> <li>Mounting at one or both ends</li> </ul>	14
3 Flange mounting DAMF	For mounting the semi-rotary drive on the front side using two mounting holes	16
7 Proximity sensor SME/SMT-10	For sensing the end position	22
8 Position sensor SRBS	<ul style="list-style-type: none"> <li>For sensing the swivel angle</li> <li>Can only be mounted directly on the swivel module, without other accessories</li> <li>Must be ordered separately as an accessory</li> <li>The scope of delivery of the position sensor includes a magnet, which must be mounted on the shaft of the semi-rotary drive</li> </ul>	19
9 Stop kit DADP-ES	<ul style="list-style-type: none"> <li>For adjusting the swivel angle</li> <li>Must be ordered separately as an accessory</li> </ul>	20
10 Sensor bracket SL-DSM-S	For mounting the round inductive proximity sensor SIEN	22
11 Sensor bracket SL-DSM-B	For mounting the proximity sensor SME/SMT-10	22
12 Proximity sensor SIEN	For sensing the end position	23
13 One-way flow control valve GRLA	For speed regulation	23
14 Push-in fitting QS	For connecting compressed air tubing with standard O.D.	qs

# Semi-rotary drives DRVS

Technical data

Function



 Size  
6 ... 40

General technical data							
Size	6	8	12	16	25	32	40
Pneumatic connection	M3		M5			G1/8	
Design	Rotary vane						
Cushioning	Elastic cushioning at both ends						
Type of mounting	Via female thread						
Mounting position	Any						
Swivel angle [°]	90, 180		90, 180, 270				
Swivel angle with stop kit KSM, DADP	→ Page 20						
Cushioning angle [°]	0.5						
Repetition accuracy [°]	1						
Swivel frequency at 6 bar							
Swivel angle 90°, 180° [Hz]	3						
Swivel angle 270° [Hz]	-		2				

Operating and environmental conditions							
Size	6	8	12	16	25	32	40
Operating medium	Compressed air to ISO 8573-1:2010 [7:4:4]						
Note on operating/pilot medium	Lubricated operation possible (in which case lubricated operation will always be required)						
Operating pressure [bar]	3.5 ... 8		2.5 ... 8			2 ... 8	
Ambient temperature <sup>1)</sup> [°C]	0 ... +60						
Storage temperature [°C]	20						
Corrosion resistance class CRC <sup>2)</sup>	1						

1) Note operating range of proximity sensors.

2) Corrosion resistance class CRC 1 to Festo standard FN 940070

Low corrosion stress. For dry indoor applications or transport and storage protection. Also applies to parts behind covers, in the non-visible interior area, and parts which are covered in the application (e.g. drive trunnions).

ATEX <sup>1)</sup>	
ATEX category for gas	II 2G
Type of ignition protection for gas	c T4 X
ATEX category for dust	II 2D
Type of ignition protection for dust	c T120°C X
Explosion-proof temperature [°C]	0 °C ≤ Ta ≤ +60 °C
CE marking (see declaration of conformity)	As per EU Explosion Protection Directive (ATEX)

1) Note the ATEX certification of the accessories.

# Semi-rotary drives DRVS

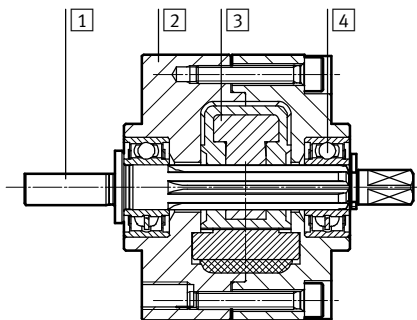
Technical data

Weight [g]							
Size	6	8	12	16	25	32	40
Swivel angle of 90°	38	68	154	272	502	928	1530
Swivel angle of 180°	38	68	152	270	494	912	1500
Swivel angle of 270°	–	–	150	268	486	896	1470

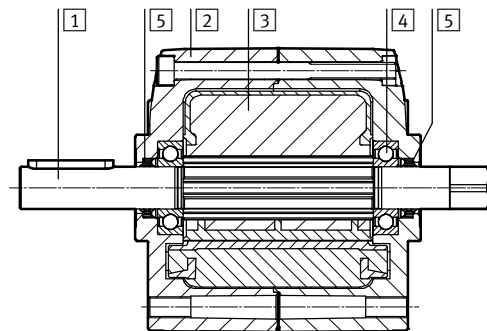
## Materials

Sectional view

DRVS-6/8



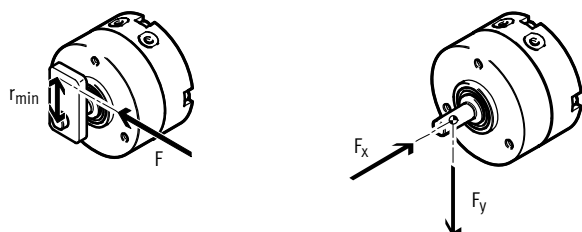
DRVS-12 ... 40



Size	6	8	12	16	25	32	40
1 Drive shaft	High-alloy stainless steel			Nickel-plated steel			
2 Housing	Anodised wrought aluminium alloy			Painted die-cast aluminium			
3 Rotary vane	Reinforced PET						
4 Ball bearing	Rolled steel						
5 Shaft seal	–		PU			NBR	
– Screws	Galvanised steel						
– Seals	TPE-U(PU)						
Note on materials	RoHS-compliant						

Forces and torques								
Size		6	8	12	16	25	32	40
Theoretical torque								
At 6 bar	[Nm]	0.15	0.35	1	2	5	10	20
Per bar	[Nm]	0.025	0.058	0.166	0.33	0.83	1.66	3.33
Perm. stop radius r	[mm]	10	10	15	17	21	28	40
Perm. stop force F	[N]	15	30	90	160	320	480	650
Max. perm. dyn. axial force $F_x^{1)}$	[N]	10	10	20	25	40	75	120
Max. perm. dyn. radial force $F_z^{1)}$	[N]	15	20	25	30	60	200	350
Max. perm. mass moment of inertia	[kgm <sup>2</sup> x10 <sup>-4</sup> ]	6.5	13	50	100	120	200	350

1) On the output shaft

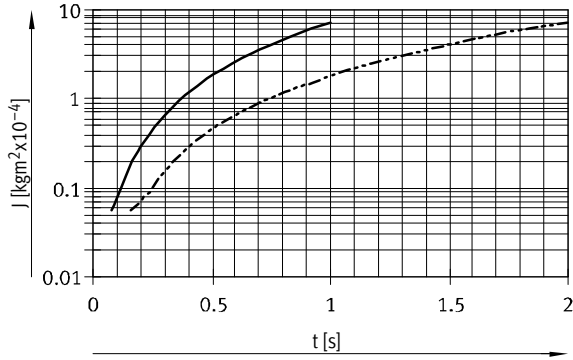


# Semi-rotary drives DRVS

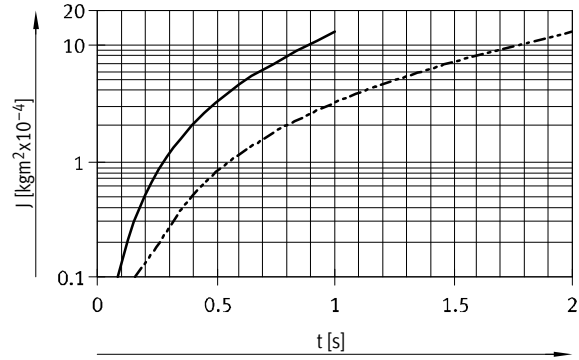
Technical data

## Mass moment of inertia J as a function of swivel time t

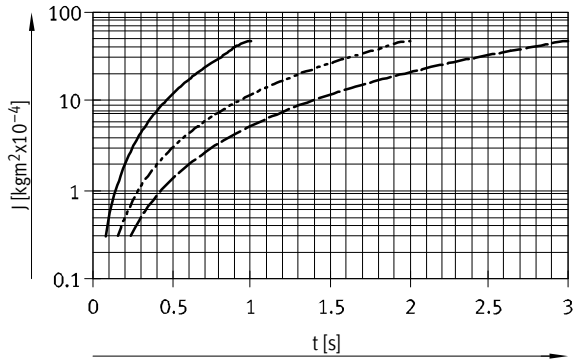
Size 6



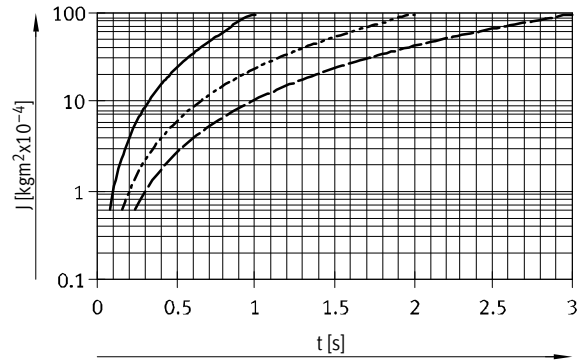
Size 8



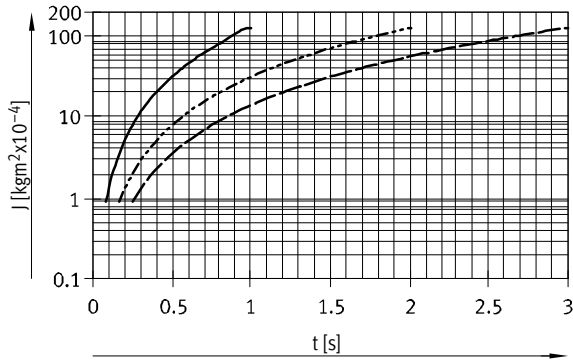
Size 12



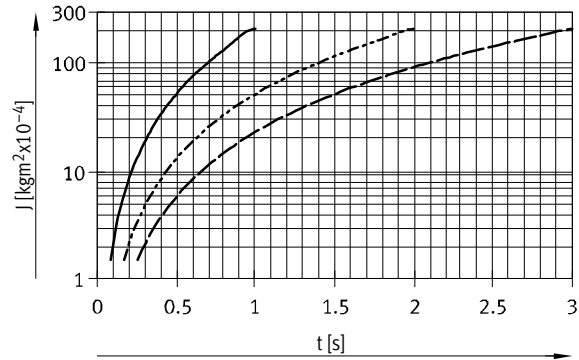
Size 16



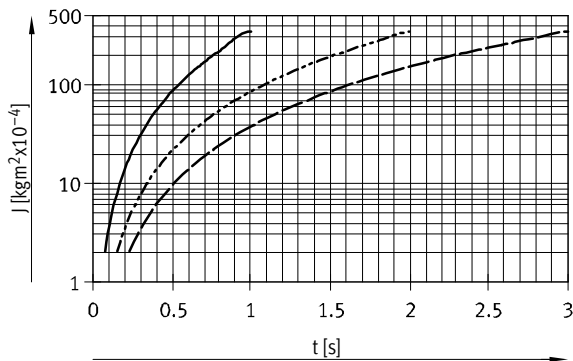
Size 25



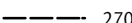


Size 32



Size 40



 90°  
 180°  
 270°



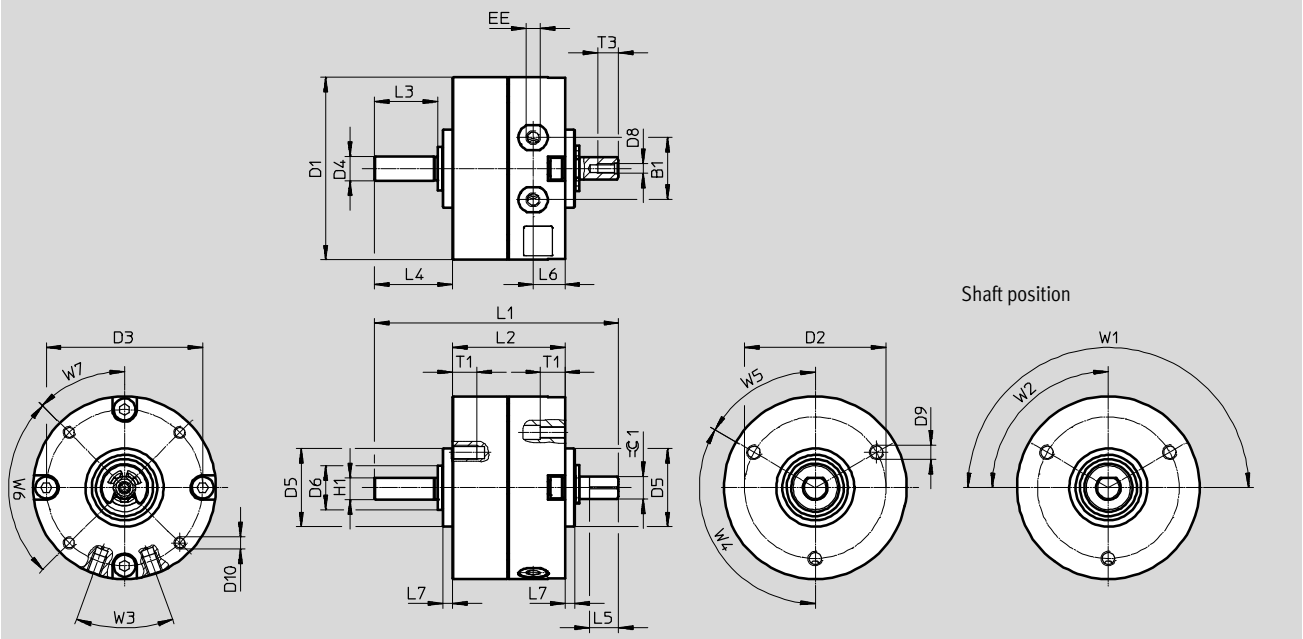
# Semi-rotary drives DRVS

Technical data

**Dimensions**

Download CAD data → [www.festo.com](http://www.festo.com)

Size 6/8



Size	B1	D1 ∅ ±0.2	D2 ∅ ±0.1	D3 ∅ ±0.1	D4 ∅ g7	D5 ∅ F8	D6 ∅	D8	D9
6	10	29.4	24	25	4	14	8	M2	M3
8	12.8	37.4	29	32	5	16	9	M2	M3

Size	D10	EE	H1 -0.2	L1	L2	L3	L4	L5 -0.2	L6	L7
6	M2	M3	3.5	43	21	10	13	5	6	2
8	M2.5	M3	4.5	50	23	13	16	6	6.5	2

Size	T1 +0.5	T3 +0.5	W1 +5°	W2 +5°	W3	W4	W5	W6	W7	≈ 1
6	5	3.5	180°	90°	40°	120°	60°	90°	45°	3
8	5	4.3								3.5

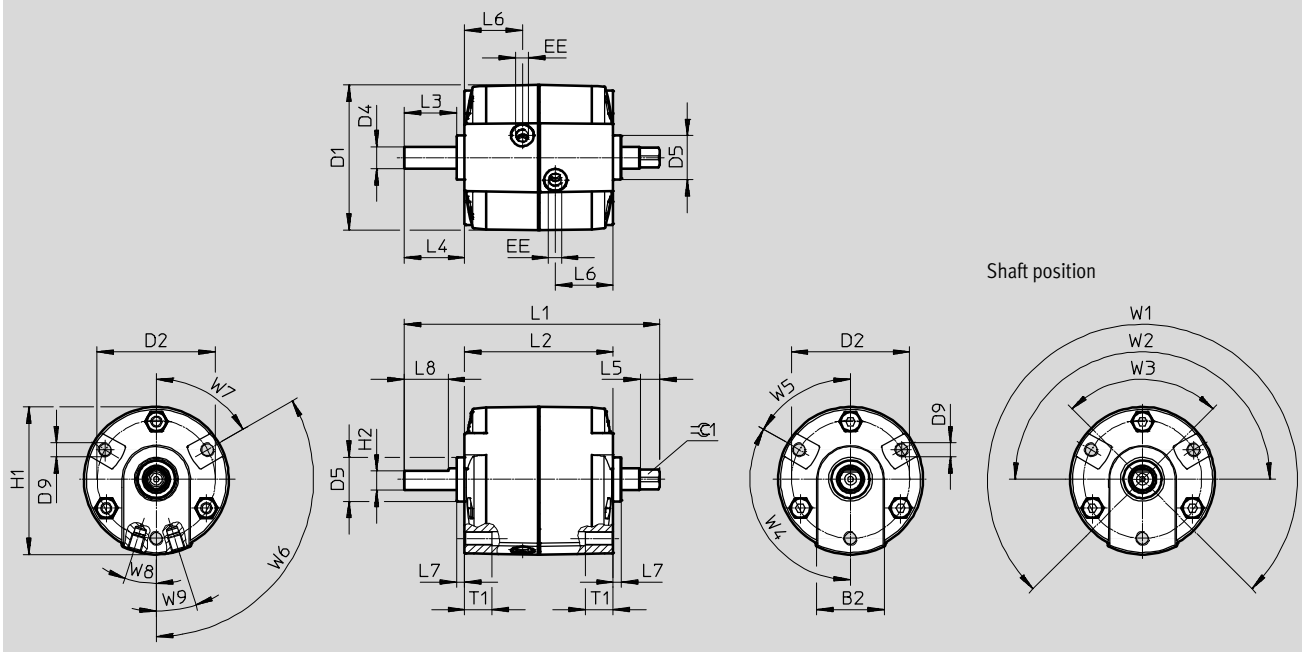
# Semi-rotary drives DRVS

Technical data

**Dimensions**

Download CAD data → [www.festo.com](http://www.festo.com)

Size 12/16



Size	B2	D1 ∅	D2 ∅ ±0.2	D4 ∅ g7	D5 ∅ -0.1	D9	EE	H1
12	24	45.5	36	6	14	M4	M5	46.3
16	24.5	52.7	43	8	16	M5	M5	53.7

Size	H2 ±0.1	L1	L2 +0.6/-0.2	L3	L4	L5	L6	L7 +0.1/-0.1	L8 +0.4	T1
12	5	73+0.2/-0.1	40.5	17	20+0.4/-0.6	9±0.1	14.8	3	14	8
16	7	93+0.2/-0.2	54	19	22+0.4/-0.7	7.2+0.1	21	3	16	10

Size	W1 +7°	W2 +7°	W3 +7°	W4	W5	W6	W7	W8 19.5°	W9 19.5°	⊙ 1 4.5 <sub>h11</sub>
12	270°	180°	90°	120°	60°	120°	60°	17.5°	17.5°	6-0.1
16										

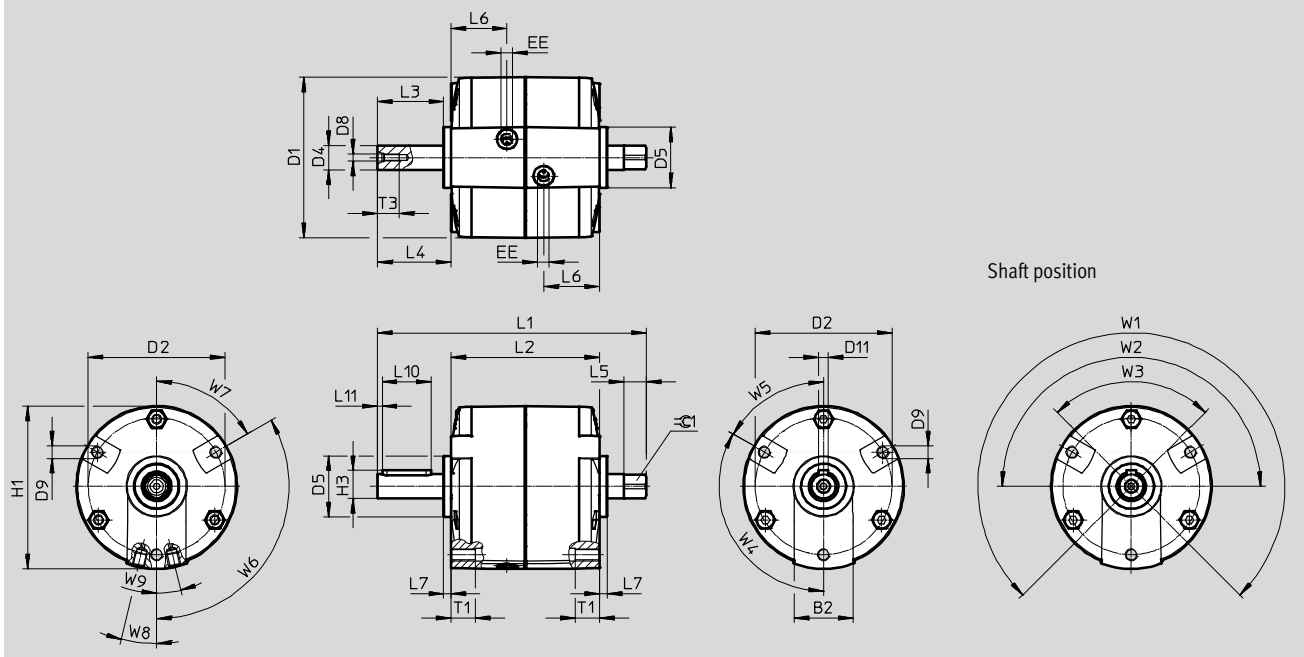
# Semi-rotary drives DRVS

Technical data

## Dimensions

Download CAD data → [www.festo.com](http://www.festo.com)

Size 25



Size	B2	D1	D2	D4	D5	D8	D9	D11
		∅	∅ ±0.2	∅ g7	∅ -0.1			N9
25	24	65.7	56	10	25	M3	M5	4

Size	EE	H1	H3	L1	L2	L3	L4	L5
			-0.2	+0.2/-0.3	+0.3/-0.2		+0.3/-0.4	
25	M5	66.7	11.5	110.2	61	27.1	30.1	9.2

Size	L6	L7	L10	L11	T1	T3	W1	W2
		+0.1/-0.1	+0.1			+3	+7°	+7°
25	23	3	20	2	10	9	270°	180°

Size	W3	W4	W5	W6	W7	W8	W9	⊖ 1	Feather key <sup>1)</sup>
	+7°							-0.1	
25	90°	120°	60°	120°	60°	13°	13°	8	A4x4x20

1) Included in the scope of delivery.

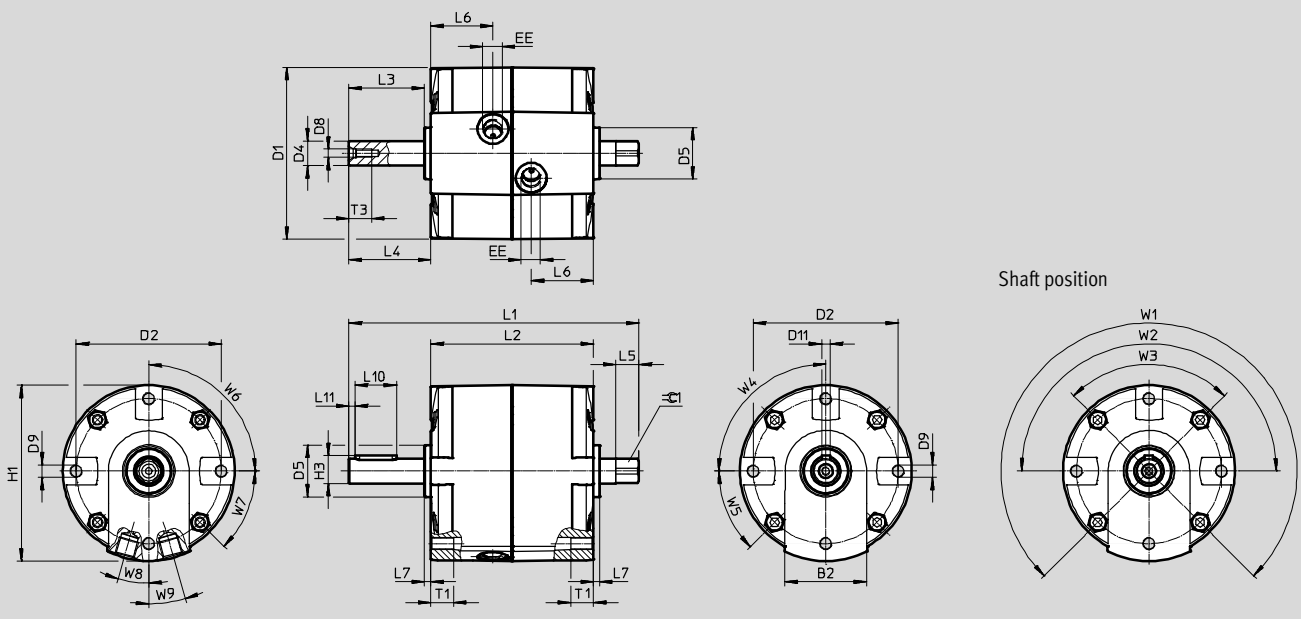
# Semi-rotary drives DRVS

Technical data

**Dimensions**

Download CAD data → [www.festo.com](http://www.festo.com)

Size 32/40



Size	B2	D1 ∅	D2 ∅ ±0.2	D4 ∅ g7	D5 ∅ -0.1	D8	D9	D11 N9
32	39	83	70	12	25	M4	M6	4
40	42	100.1	87	17	30	M5	M8	5

Size	EE	H1	H3 -0.2	L1 +0.2/-0.3	L2	L3	L4 +0.3/-0.6	L5
32	G $\frac{1}{8}$	85	13.5	140	78.5+0.5/-0.1	36.5	39.5	11.2
40	G $\frac{1}{8}$	102.6	19	170	93+0.4	50.5	53.5	16+0.3

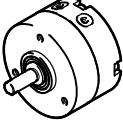
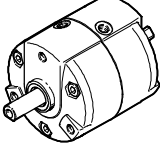
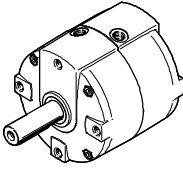
Size	L6	L7	L10	L11	T1	T3 +3	W1 +7°	W2 +7°
32	30	3+0.1/-0.2	20+0.1	3	11	11	270°	180°
40	37	3+0.2	36.1+0.3	5	13+3	13		

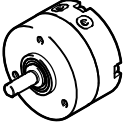
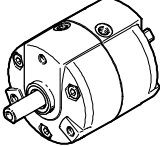
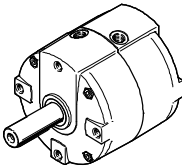
Size	W3 +7°	W4	W5	W6	W7	W8	W9	∠ 1 H11	Feather key to DIN 6885 <sup>1)</sup>
32	90°	90°	45°	90°	45°	16°	16°	10	A4x4x20
40						14.5°	14.5°	13	A5x5x36

1) Included in the scope of delivery.

## Semi-rotary drives DRVS

Technical data

Ordering data				
	Size	Swivel angle	Without ATEX certification	
			Part No.	Type
	6	90°	★ 1845706	DRVS-6-90-P
		180°	★ 1845707	DRVS-6-180-P
	8	90°	★ 1845708	DRVS-8-90-P
		180°	★ 1845709	DRVS-8-180-P
	12	90°	★ 1845710	DRVS-12-90-P
		180°	★ 1845711	DRVS-12-180-P
		270°	★ 1845712	DRVS-12-270-P
	16	90°	★ 1845713	DRVS-16-90-P
		180°	★ 1845714	DRVS-16-180-P
		270°	★ 1845715	DRVS-16-270-P
	25	90°	★ 1845716	DRVS-25-90-P
		180°	★ 1845717	DRVS-25-180-P
		270°	★ 1845718	DRVS-25-270-P
	32	90°	★ 1845719	DRVS-32-90-P
		180°	★ 1845720	DRVS-32-180-P
		270°	★ 1845721	DRVS-32-270-P
	40	90°	★ 1845722	DRVS-40-90-P
		180°	★ 1845723	DRVS-40-180-P
		270°	★ 1845724	DRVS-40-270-P

Ordering data				
	Size	Swivel angle	With ATEX certification	
			Part No.	Type
	6	90°	2536483	DRVS-6-90-P-EX4
		180°	2536484	DRVS-6-180-P-EX4
	8	90°	2536485	DRVS-8-90-P-EX4
		180°	2536486	DRVS-8-180-P-EX4
	12	90°	2536487	DRVS-12-90-P-EX4
		180°	2536488	DRVS-12-180-P-EX4
		270°	2536489	DRVS-12-270-P-EX4
	16	90°	2536490	DRVS-16-90-P-EX4
		180°	2536491	DRVS-16-180-P-EX4
		270°	2536492	DRVS-16-270-P-EX4
	25	90°	2536493	DRVS-25-90-P-EX4
		180°	2536494	DRVS-25-180-P-EX4
		270°	2536495	DRVS-25-270-P-EX4
	32	90°	2536496	DRVS-32-90-P-EX4
		180°	2536497	DRVS-32-180-P-EX4
		270°	2536498	DRVS-32-270-P-EX4
	40	90°	2536499	DRVS-40-90-P-EX4
		180°	2536500	DRVS-40-180-P-EX4
		270°	2536501	DRVS-40-270-P-EX4

Festo core product range

- ★ Ready for dispatch from the Festo factory in 24 hours
- ☆ Ready for dispatch in 5 days maximum from stock

# Semi-rotary drives DRVS

Accessories

## Foot mounting DAMH

Material:

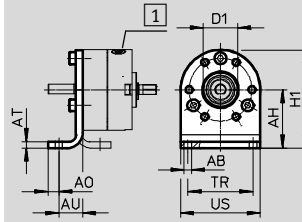
Galvanised steel

RoHS-compliant

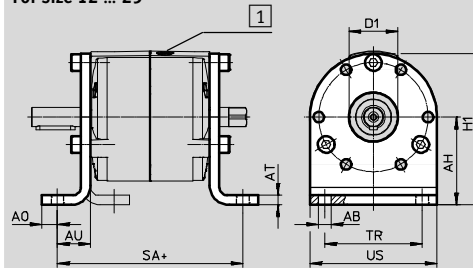
Foot mountings can only be mounted on the front with size 6 and 8.



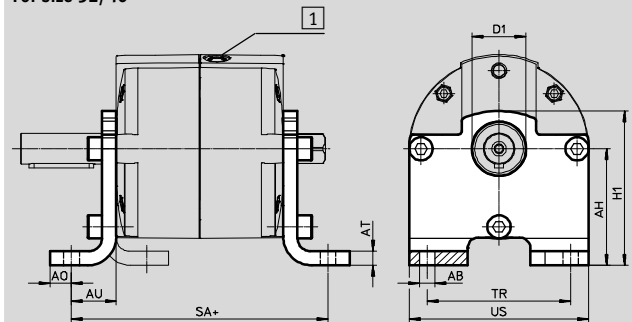
For size 6/8



For size 12 ... 25



For size 32/40

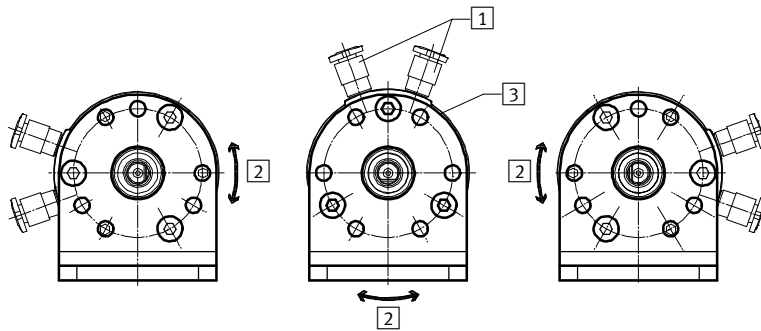


1 Supply ports

### Mounting variants in combination with supply ports

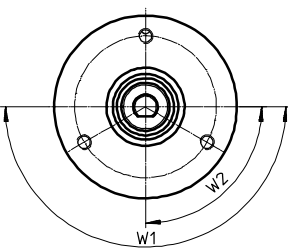
Three mounting variants are possible in combination with the foot mounting DAMH and supply ports 1.

The mid-position of the swivel angle is then in position 2.

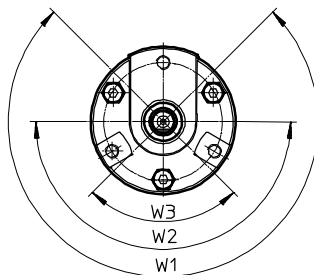


### Shaft position in standard position 3 (position swivel angle)

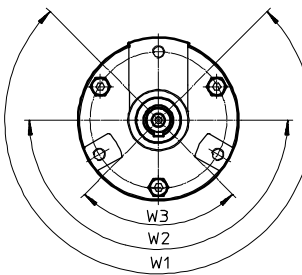
Size 6/8



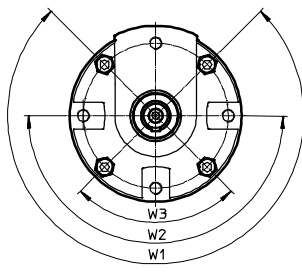
Size 12/16



Size 25



Size 32/40



## Semi-rotary drives DRVS

Accessories

Dimensions and ordering data							
For size	AB ∅ H13	AH	AO	AT	AU	D1 ∅	H1
6	3.5	22 <sup>+0.2</sup>	4	3	11	14 <sup>+0.05</sup>	36.8 <sup>+0.5/-0.3</sup>
8	3.5	27 <sup>+0.2</sup>	5	3	11	16 <sup>+0.05</sup>	45.3 <sup>±0.4</sup>
12	5.5	30 <sup>+0.2</sup>	6	4	14	14 <sup>H10</sup>	52 <sup>+0.5/-0.3</sup>
16	5.5	35 <sup>±0.25</sup>	7	4	15	16 <sup>H10</sup>	61 <sup>+0.5/-0.3</sup>
25	6.5	45 <sup>±0.25</sup>	8	5	17	25 <sup>H10</sup>	77.5 <sup>+0.5/-0.3</sup>
32	8.8	55 <sup>±0.3</sup>	11	6	21	25 <sup>H10</sup>	73 <sup>±0.5</sup>
40	8.8	65 <sup>±0.3</sup>	12	8	25	30 <sup>H10</sup>	86 <sup>±0.5</sup>

For size	SA	TR	US	Weight <sup>1)</sup> [g]	Part No.	Type <sup>2)</sup>
6	–	20	29.6 <sup>+0.3/-0.2</sup>	27	<b>3371840</b>	<b>DAMH-Q12-6</b>
8	–	30	36.6 <sup>±0.3</sup>	40	<b>3371841</b>	<b>DAMH-Q12-8</b>
12	68.5	30	44 <sup>-0.5</sup>	79	<b>3371842</b>	<b>DAMH-Q12-12</b>
16	84	40	52 <sup>-0.5</sup>	111	<b>3371843</b>	<b>DAMH-Q12-16</b>
25	95	50	65 <sup>-0.5</sup>	203	<b>3371844</b>	<b>DAMH-Q12-25</b>
32	122.5	60	81.5 <sup>-0.5</sup>	287	<b>3371845</b>	<b>DAMH-Q12-32</b>
40	143	80	100 <sup>±0.3</sup>	529	<b>3371846</b>	<b>DAMH-Q12-40</b>

1) For one foot mounting

2) Suitable for ATEX areas

# Semi-rotary drives DRVS

Accessories

## Flange mounting DAMF

### Materials:

Galvanised steel

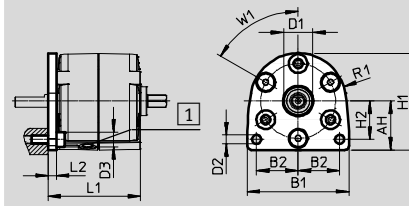
RoHS-compliant

Mounting variants in combination with supply ports:

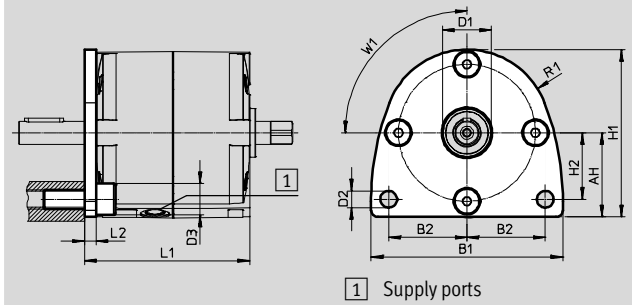
- For sizes 12 ... 25, possible every 60°
- For sizes 32/40, possible every 90°



### For size 12 ... 25



### For size 32/40



1) Supply ports

Dimensions and ordering data								
For size	AH	B1	B2	D1 ∅ H10	D2 ∅ H13	D3 ∅ Max.	H1	H2
12	23.5±0.2	49±0.4	20	14	4.4	8.5	46.5+0.4/-0.3	18.5
16	28±0.2	59±0.4	23	16	5.4	8.5	56±0.4	20.5
25	34.5±0.2	74±0.4	30	25	6.5	10	69±0.4	23
32	43±0.2	98±0.5	40	25	8.5	16	85.5+0.5/-0.4	34
40	53+0.3/-0.2	120±0.5	50	30	8.5	18	106+0.5/-0.3	40

For size	L1	L2	R1	W1	Weight [g]	Part No.	Type <sup>1)</sup>
12	44.5	4	23	60°	54	4965018	DAMF-Q12-12
16	58	4	28	60°	80	4965019	DAMF-Q12-16
25	66	5	34.5	60°	147	4965020	DAMF-Q12-25
32	84.5	6	42.5	90°	305	4965021	DAMF-Q12-32
40	99	6	53	90°	472	4965022	DAMF-Q12-40

1) Suitable for ATEX areas



# Semi-rotary drives DRVS

Accessories

## Push-on flange FWSR/DARF

Materials:

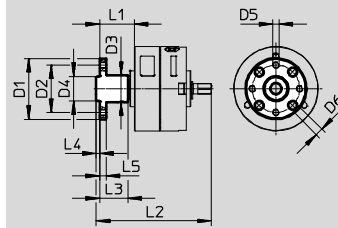
Flange: Anodised wrought aluminium alloy

Screws: Galvanised steel

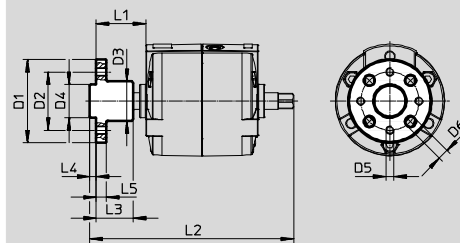
RoHS-compliant



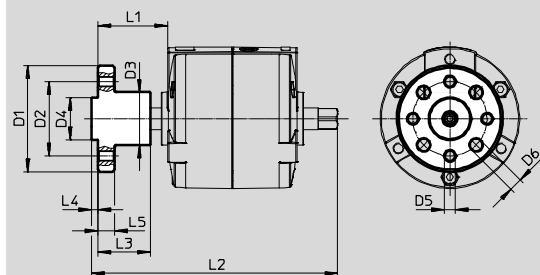
For size 6/8



For size 12/16



For size 25 ... 40



Dimensions and ordering data							
For size	D1 Ø	D2 Ø	D3 Ø +0.4	D4 Ø	D5	D6 Ø H13	L1
6	23	16	10	8 <sub>g7</sub>	M3	3.4	13.5±0.7
8	27	21	12	11 <sub>g7</sub>	M3	3.4	15.5±0.7
12	35 <sub>-0.5</sub>	25	16	14 <sub>f8</sub>	M3	3.4	21+0.5/-0.7
16	40 <sub>-0.5</sub>	28	19	16 <sub>f8</sub>	M4	4.5	23+0.5/-0.8
25	50 <sub>-0.5</sub>	35	25	20 <sub>f8</sub>	M5	5.5	33+0.4/-0.5
32	60 <sub>-0.5</sub>	45	25	28 <sub>f8</sub>	M6	6.5	42.6+0.4/-0.7
40	70 <sub>-0.5</sub>	54	30	36 <sub>f8</sub>	M8	9	57.1+0.4/-0.7

For size	L2	L3	L4	L5	Weight [g]	Part No.	Type <sup>1)</sup>
6	45	10.5	1.5 <sub>-0.2</sub>	3	6	185948	FWSR-6
8	51	12.5	1.5 <sub>-0.2</sub>	3	8	185949	FWSR-8
12	77	16	3 <sub>-0.1</sub>	3	15	4886221	DARF-Q12-12
16	97	18	3 <sub>-0.1</sub>	5	25	4886222	DARF-Q12-16
25	116.1	24.9	3 <sub>-0.1</sub>	8	60	4886223	DARF-Q12-25
32	147.1	26.1	4 <sub>-0.1</sub>	10	92	4886224	DARF-Q12-32
40	178.6	44.6	5 <sub>-0.1</sub>	11	155	4886225	DARF-Q12-40

1) Suitable for ATEX areas

# Semi-rotary drives DRVS

Accessories

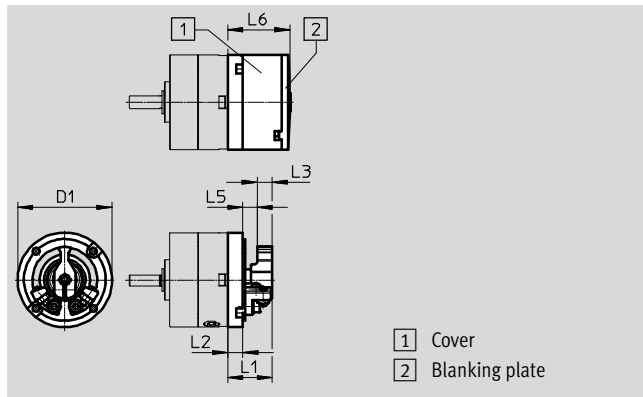
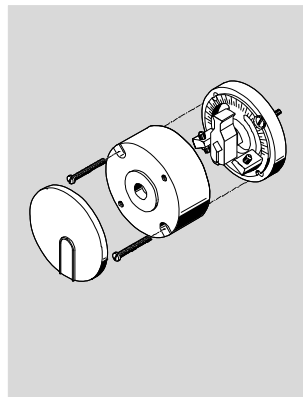
## Stop kit KSM

Material:

Housing: Anodised aluminium  
Stops: High-alloy stainless steel  
Free of copper and PTFE

Description:

For adjusting the swivel angle



Dimensions and ordering data						
For size	D1 ∅	L1	L2	L3	L5	L6
	±0.2	+0.4	+0.3			+0.2/-0.6
6	29.4	11.2	3.2	5	2.5	17.8
8	37.4	17	6	6	5.7	24.9

For size	Swivel angle [°]	Precision adjustment [°]	Weight [g]	Part No.	Type <sup>1)</sup>
6	0 ... 180	-5 ... +1	30	<b>175833</b>	<b>KSM-6</b>
8	0 ... 180	-5 ... +1	70	<b>175834</b>	<b>KSM-8</b>

1) Suitable for ATEX areas

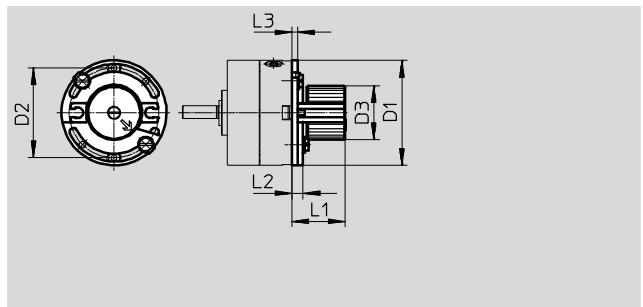
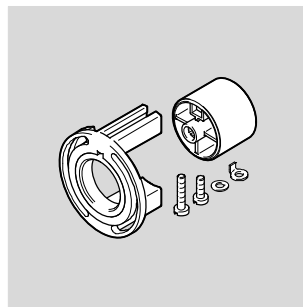
## Mounting kit WSM

Material:

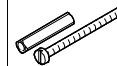
Bracket, magnet holder: Polyamide  
Rail in bracket: Aluminium

Description:

- For sensing the swivel angle
- For mounting the proximity sensor SME/SMT-10



Dimensions and ordering data							
For size	D1 ∅	D2 ∅	D3 ∅	L1	L2	L3	Part No. Type
	±0.2	±0.2		±1			
6	29.4	25	17.3	19.5	4	2	<b>173205 WSM-6-SME-10</b>
8	37.4	32	19.3	19.5	4	2	<b>173206 WSM-8-SME-10</b>

Ordering data – Adapter kit				
	For size	Description	Part No.	Type
	6	For attaching mounting kit WSM to stop kit KSM	<b>3617044</b>	<b>DADP-AK-Q1-6</b>
	8		<b>3617045</b>	<b>DADP-AK-Q1-8</b>

# Semi-rotary drives DRVS

Accessories

## Position sensor SRBS

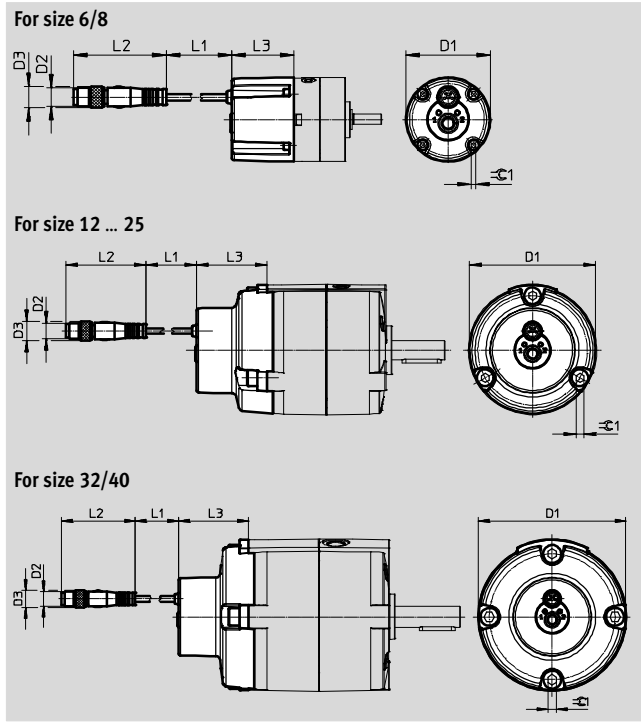
### Material:

Housing: Reinforced PA, nickel-plated brass

RoHS-compliant

### Description:

- Sturdy, non-contacting and enclosed position detection with long service life
- For sensing the end positions
- Simple and reliable operation using one button
- Only one connecting cable required  
→ Page 23



Dimensions and ordering data							Technical data → Internet: srbs	
For size	D1 ∅	D2	D3 ∅	L1	L2	L3	⌀ 1	
6	29.4	M8x1, (Plug connector 4-pin)	9.6	300	41.1	25.4	1.5	
8	32					27.4	2	
12	44.6					29.4	3	
16	51.6					33.9	4	
25	64.5					36	4	
32	81.3					38.9	5	
40	98.3					40.4	6	

For size	Sensing range [°]	Repetition accuracy [°]	Number of switching outputs	Switching output	Switching element	Weight [g]	Part No.	Type
6	0 ... 270	≤ 1	2	PNP/NPN	N/O contact and N/C contact	25	★ 2619969	SRBS-Q12-6-E270-EP-1-S-M8
8						30	★ 2619972	SRBS-Q12-8-E270-EP-1-S-M8
12						42	★ 2393546	SRBS-Q12-12-E270-EP-1-S-M8
16						55	★ 2393547	SRBS-Q12-16-E270-EP-1-S-M8
25						60	★ 2393548	SRBS-Q12-25-E270-EP-1-S-M8
32						81	★ 2393549	SRBS-Q12-32-E270-EP-1-S-M8
40						120	★ 2393550	SRBS-Q12-40-E270-EP-1-S-M8

Festo core product range

- ★ Ready for dispatch from the Festo factory in 24 hours
- ☆ Ready for dispatch in 5 days maximum from stock

# Semi-rotary drives DRVS

Accessories


## Stop kit DADP-ES

**Material:**

- Disc: Anodised aluminium
- Lever: Nickel-plated beryllium bronze
- Stop: DADP-12: Nickel-plated beryllium bronze,
- DADP-16 ... 40: Stainless steel
- RoHS-compliant

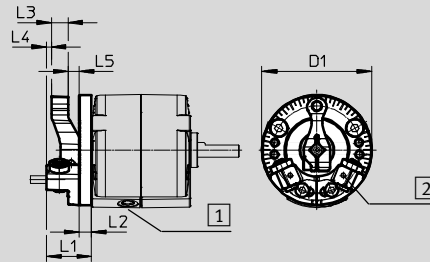
**Description:**

- For adjusting the swivel angle (precision adjustment via thread)
- With flexible cushioning components for noise reduction

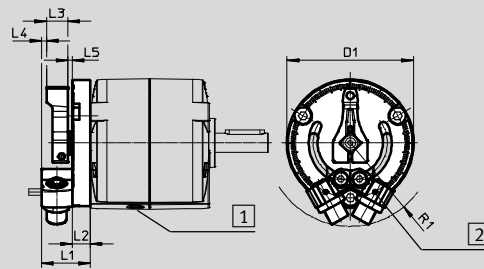
 **Note**  
Permissible mass moment of inertia  
→ Basic drive



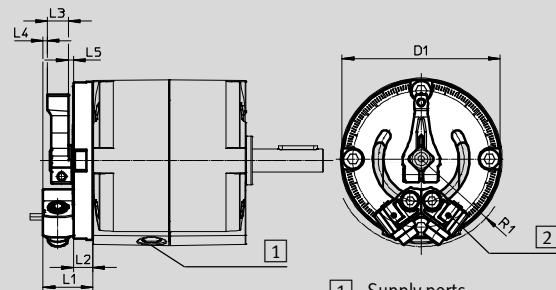
### For size 12



### For size 16/25



### For size 32/40



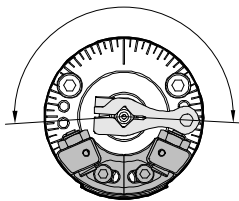
- 1 Supply ports
- 2 Mounting thread for sensor bracket

**Optimal swivel motion:**

For a balanced swivel motion it is recommended to position the stops symmetrically to the mid-position.

**Size 12**

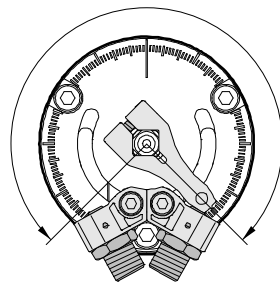
0 ... 190°



**Size 16 ... 40**

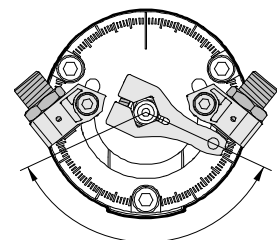
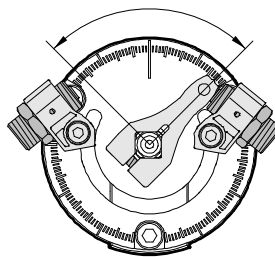
Mounting variant 90 ... 270°

Max. 270°



Mounting variant 0 ... 130°

Min. 90°



# Semi-rotary drives DRVS

Accessories

Dimensions and ordering data							
For size	D1 ∅	L1	L2	L3	L4	L5	R1
12	45	18.5	5	6.8	2	4.7	–
16	51.7	21.5	9	8.5	2.3	1.7	34
25	64.6	24.8	9.2	10.8	2.5	2.3	43.5
32	81	25.6	10	10.8	2.2	2.6	45.5
40	100	32	12	13.7	3.3	3	58

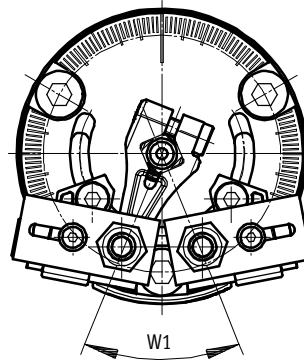
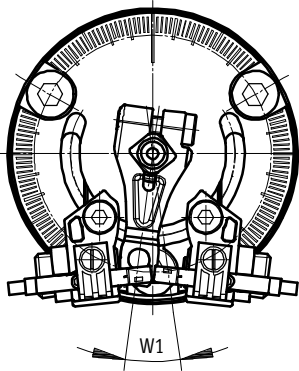
For size	Swivel angle [°]	Precision adjustment [°]	Weight [g]	Part No.	Type <sup>1)</sup>
12	0 ... 190	–6	60	<b>2536502</b>	<b>DADP-ES-Q12-12</b>
16	0 ... 270	–6	110	<b>2536503</b>	<b>DADP-ES-Q12-16</b>
25	0 ... 270	–6	180	<b>2536504</b>	<b>DADP-ES-Q12-25</b>
32	0 ... 270	–6	250	<b>2536505</b>	<b>DADP-ES-Q12-32</b>
40	0 ... 270	–6	450	<b>2536506</b>	<b>DADP-ES-Q12-40</b>

1) Suitable for ATEX areas

## Minimum swivel angle W1 in combination with stop kit DADP-ES and attached proximity sensors

With proximity sensor SME-10/SMT-10

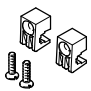

With proximity sensor SIEN-M5/SIEN-M8



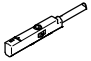
Stop kit	Proximity sensor	
	SME-10/SMT-10	SIEN-M5/SIEN-M8
DADP-ES-Q12-12	15°	60°
DADP-ES-Q12-16	15°	45°
DADP-ES-Q12-25	15°	20°
DADP-ES-Q12-32	15°	20°
DADP-ES-Q12-40	15°	15°

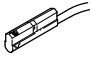
# Semi-rotary drives DRVS

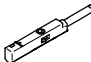
Accessories

Ordering data – Sensor bracket					
	For size	Description	Part No.	Type	PU <sup>1)</sup>
	12 ... 40	<ul style="list-style-type: none"> <li>For sensing the swivel angle</li> <li>For mounting the proximity sensor SME/SMT-10</li> </ul>	<b>550661</b>	<b>SL-DSM-B</b>	2
	12 ... 40	<ul style="list-style-type: none"> <li>For sensing the swivel angle</li> <li>For mounting the proximity sensor SIEN-M5</li> </ul>	<b>1130882</b>	<b>SL-DSM-S-M5-B</b>	2
		<ul style="list-style-type: none"> <li>For sensing the swivel angle</li> <li>For mounting the proximity sensor SIEN-M8</li> </ul>	<b>1132360</b>	<b>SL-DSM-S-M8-B</b>	

1) Packaging unit

Proximity sensor for size 6 ... 40					
Ordering data – Proximity sensors for C-slot, magneto-resistive					Technical data → Internet: smt
	Type of mounting	Switching output	Electrical connection, outlet direction	Cable length [m]	Part No. Type
N/O contact					
	For size 6, 8: With mounting kit WSM-...-SME-10 For size 12 ... 40: Mounted on the DRVS using sensor bracket SL-DSM-B	PNP	Cable, 3-wire, in-line	2.5	★ <b>551373</b> <b>SMT-10M-PS-24V-E-2,5-L-OE</b>
			Plug connector M8x1, 3-pin, in-line	0.3	★ <b>551375</b> <b>SMT-10M-PS-24V-E-0,3-L-M8D</b>

Ordering data – Proximity sensor for C-slot, magnetic reed					Technical data → Internet: sme
	Type of mounting	Switching output	Electrical connection, outlet direction	Cable length [m]	Part No. Type
N/O contact					
	For size 6, 8: With mounting kit WSM-...-SME-10 For size 12 ... 40: With sensor bracket SL-DSM-B	Contacting	Cable, 3-wire, in-line	2.5	<b>173210</b> <b>SME-10-KL-LED-24</b>
			Plug connector M8x1, 3-pin, in-line	0.3	<b>173212</b> <b>SME-10-SL-LED-24</b>

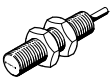
Proximity sensor for size 12 ... 40					
Ordering data – Proximity sensor for C-slot, magnetic reed					Technical data → Internet: sme
	Type of mounting	Switching output	Electrical connection, outlet direction	Cable length [m]	Part No. Type
N/O contact					
	With sensor bracket SL-DSM-B	Contacting	Cable, 3-wire, in-line	2.5	★ <b>551365</b> <b>SME-10M-DS-24V-E-2,5-L-OE</b>
			Plug connector M8x1, 3-pin, in-line	0.3	★ <b>551367</b> <b>SME-10M-DS-24V-E-0,3-L-M8D</b>

Festo core product range ★ Ready for dispatch from the Festo factory in 24 hours  
☆ Ready for dispatch in 5 days maximum from stock



## Semi-rotary drives DRVS

Accessories



### Inductive proximity sensor for size 12 ... 40

Ordering data – Proximity sensor, inductive					Technical data → Internet: sien	
	Type of mounting	Thread	Contact	Connection	Part No.	Type
	With sensor bracket SL-DSM-S	M5	N/O contact	Cable, 2.5 m	★ 150370	SIEN-M5B-PS-K-L
				Plug connector	★ 150371	SIEN-M5B-PS-S-L
		M8	N/O contact	Cable, 2.5 m	★ 150386	SIEN-M8B-PS-K-L
				Plug connector	★ 150387	SIEN-M8B-PS-S-L



### Ordering data – Connecting cables

Ordering data – Connecting cables				Technical data → Internet: nebu	
	Electrical connection, left	Electrical connection, right	Cable length [m]	Part No.	Type
	Straight socket, M8x1, 3-pin	Cable, open end, 3-wire	2.5	★ 541333	NEBU-M8G3-K-2.5-LE3
			5	★ 541334	NEBU-M8G3-K-5-LE3
	Angled socket, M8x1, 3-pin	Cable, open end, 3-wire	2.5	★ 541338	NEBU-M8W3-K-2.5-LE3
			5	★ 541341	NEBU-M8W3-K-5-LE3

### Connecting cables for position sensor SRBS

Accessories – Connecting cables				Technical data → Internet: nebu	
	Electrical connection, left	Electrical connection, right	Cable length [m]	Part No.	Type
	Straight socket, M8x1, 4-pin	Cable, open end, 4-wire	2.5	541342	NEBU-M8G4-K-2.5-LE4
			5	541343	NEBU-M8G4-K-5-LE4
	Straight socket, M8x1, 4-pin	Straight plug connector, M8x1, 4-pin	2.5	554035	NEBU-M8G4-K-2.5-M8G4

### Ordering data – One-way flow control valves

Ordering data – One-way flow control valves					Technical data → Internet: grla			
	For size	Connection		Material	Part No.	Type		
		Thread	For tubing O.D.					
For exhaust air								
	6, 8	M3	3	Metal design	175041	GRLA-M3-QS-3		
			12, 16, 25		M5	3	★ 193137	GRLA-M5-QS-3-D
						4	★ 193138	GRLA-M5-QS-4-D
	32, 40	G1/8	3		★ 193142	GRLA-1/8-QS-3-D		
			4		★ 193143	GRLA-1/8-QS-4-D		
			6		★ 193144	GRLA-1/8-QS-6-D		
			8	★ 193145	GRLA-1/8-QS-8-D			

Festo core product range

- ★ Ready for dispatch from the Festo factory in 24 hours
- ☆ Ready for dispatch in 5 days maximum from stock