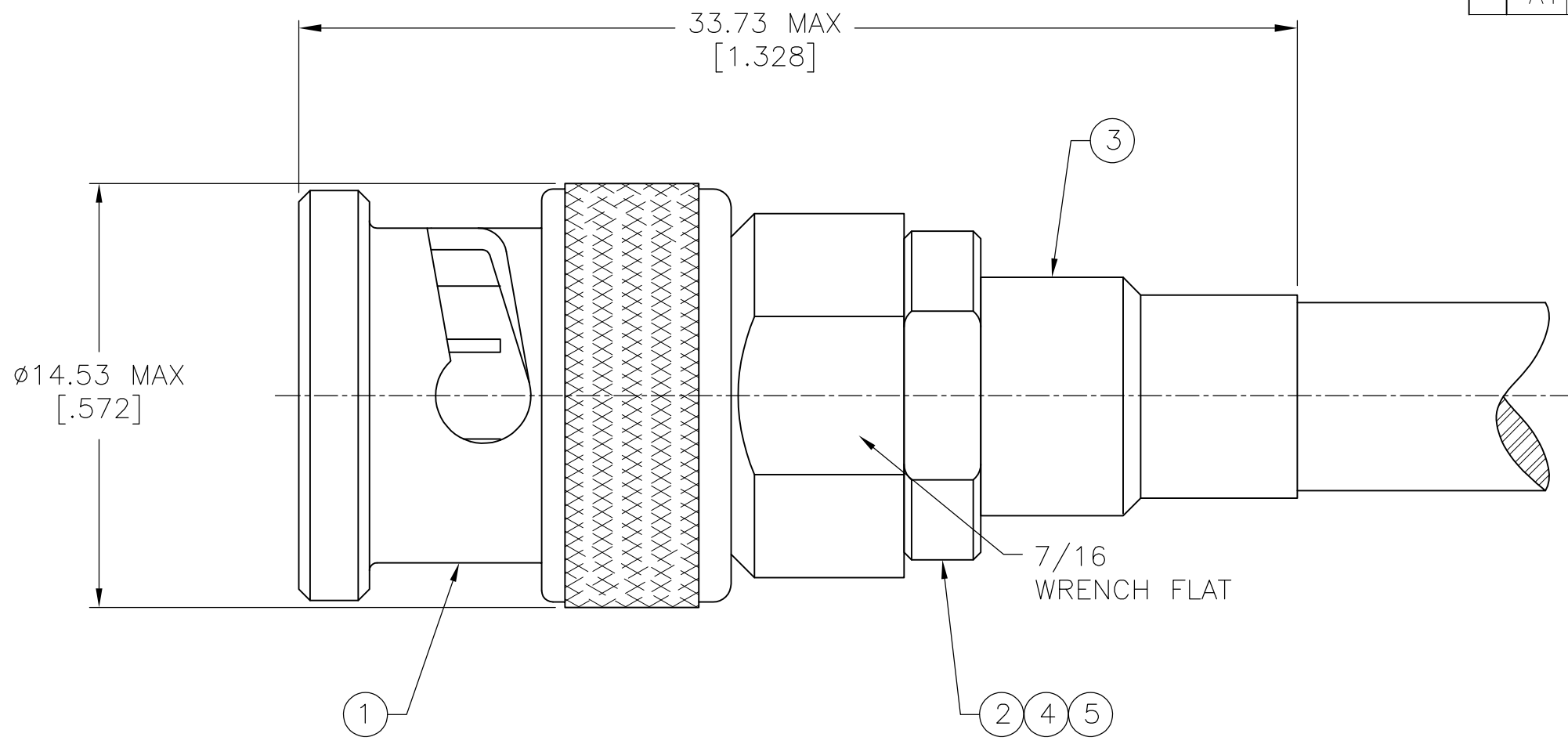


THIS DRAWING IS UNPUBLISHED. RELEASED FOR PUBLICATION
 © COPYRIGHT - BY TYCO ELECTRONICS CORPORATION. ALL RIGHTS RESERVED.

LOC	DIST	REVISIONS			
P	LTR	DESCRIPTION	DATE	DWN	APVD
AJ	00				
	A	REV PER ECO 06-02539	07APR06	GB	JH
	A1	REVISED PER ECO-09-024717	04NOV09	KK	AEG



- USE PRO-CRIMPER 354940-1 WITH DIE SET 91909-1.
- SEE INSTRUCTION SHEET 408-2055.
- PARTS PACKAGED UNASSEMBLED.
- △ OBSOLETE PARTS: OBSOLETE CIS STREAMLINING PER D.RENAUD/D.SINISI

△ 4	OBSOLETE	ROLM 49D2401 TWINAX	332214	332222-1	9-332224-0	1-332221-5	5-330949-0	5332225-6
		RG 108/U & 108A/U	332214	332222-1	9-332224-0	1-332221-4	5-330949-0	5332225-5
△ 4	OBSOLETE	TROMPETER TWC-124-2	332214	332222	9-332224-1	1-332221-3	2-330949-2	5332225-3
		RG 108/U & 108A/U	332214	332222	9-332224-1	332221	2-330949-2	5332225
		FOR USE WITH CABLE	⑤ SEAL QTY=1	④ DIELECTRIC QTY=1	③ FERRULE QTY=1	② CRIMP END QTY=1	① PLUG ASSY QTY=1	PART NO.

THIS DRAWING IS A CONTROLLED DOCUMENT.

DWN	L. VARELA - DOCK5	21APR2005	 Tyco Electronics Corporation Harrisburg, PA 17105-3608					
CHK	J. HAVENER	21APR2005						
APVD	J. LIPPERT	21APR2005						
PRODUCT SPEC								
APPLICATION SPEC			NAME					
WEIGHT	0.50 OZ.	A3	00779	C=5332225	RESTRICTED TO			
CUSTOMER DRAWING			SCALE	5:1	SHEET	1 OF 1	REV	A1