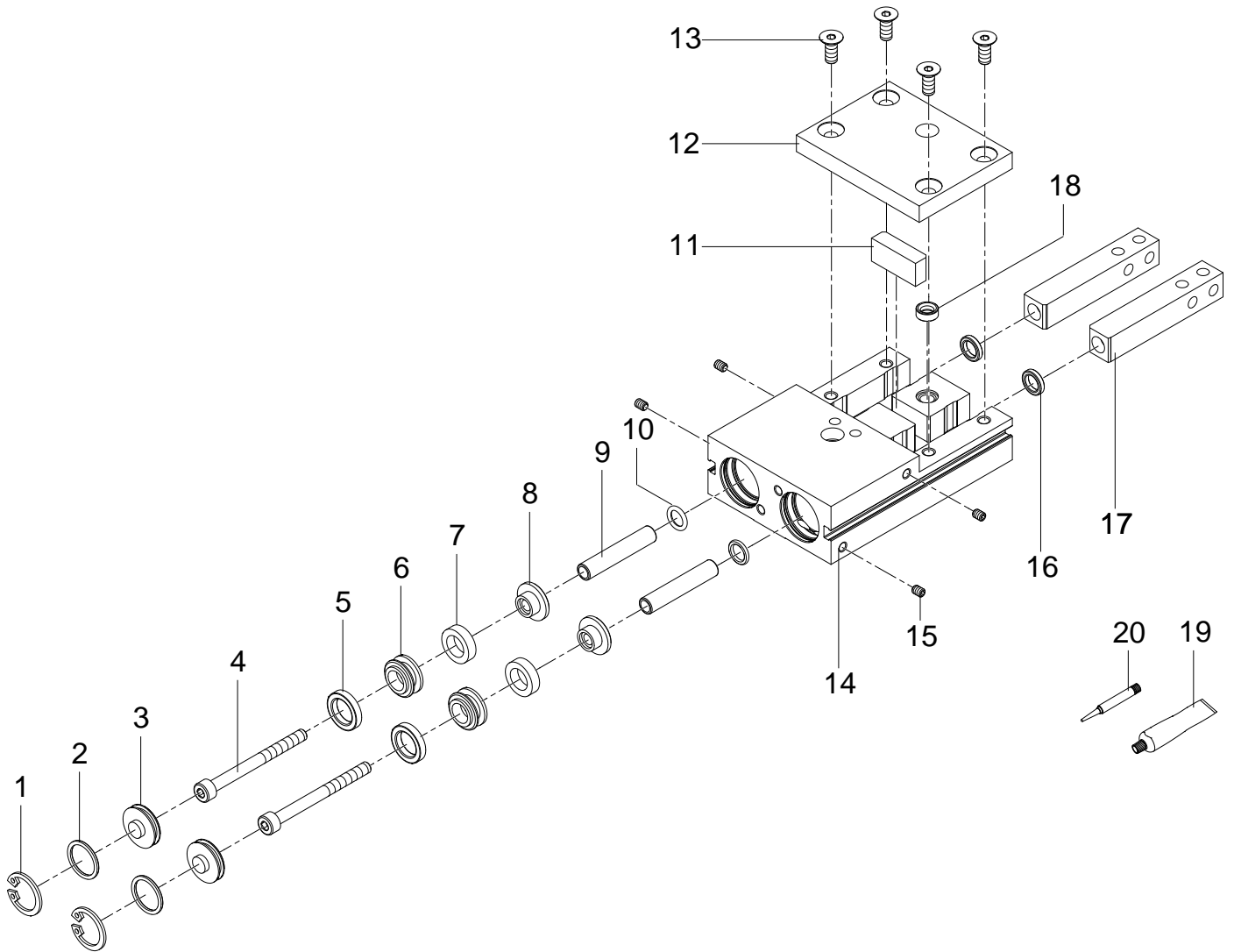


529353 HPV-22-30-A Feed separator - Series: All



529353 HPV-22-30-A Feed separator - Series: All

Pos.	Part no.	Type	Note	Qty.	Unit
A	672866	HPV-22- Set of wearing parts	Spare parts: 1, 2, 3, 5, 10, 16, 19, 20	1	PC
1			Not available separately, see position A	2	PC
2			Not available separately, see position A Grease using during assembly. See position 19	2	PC
3			Not available separately, see position A	2	PC
4			Not available Use locking compound. See position 20	2	PC
5			Not available separately, see position A Grease using during assembly. See position 19	2	PC
6			Not available	2	PC
7			Not available	2	PC
8			Not available	2	PC
9			Not available	2	PC
10			Not available separately, see position A Grease using during assembly. See position 19	2	PC
11			Not available	1	PC
12			Not available	1	PC
13			Not available	4	PC
14			Not available	1	PC
15			Not available	4	PC
16			Not available separately, see position A Grease using during assembly. See position 19	2	PC
17			Not available	2	PC
18			Not available	1	PC
19	665354	LUB-KB1-SILIKONFREI-20ML Lubricating grease		1	PC
20	8181256	CYBERBOND TM44 TB1ML Adhesive bonding agent		1	PC