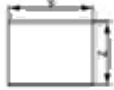
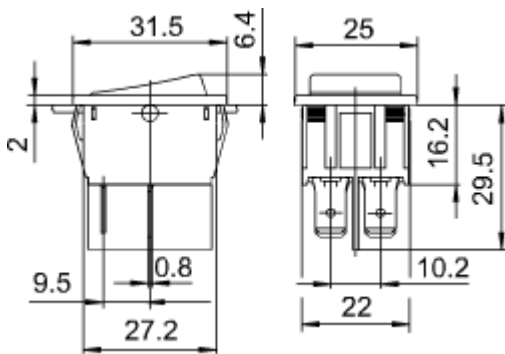




Marquardt Mechatronik GmbH  
Schloss-Str. 16  
78604 Rietheim-Weilheim  
Germany

Phone: +49 (0) 7424 / 99-0  
Fax: +49 (0) 7424 / 99-2399  
Net: www.marquardt.de  
E-mail: marquardt@marquardt.de

## Product image / Drawings



X = wall thickness

X	Y	Z
0.75 ... 1.25	30 -0.1	22 +0.2
1.25 ... 2	30.2 -0.1	22 +0.2
2 ... 3	30.6 -0.1	22 +0.2

## Technical data

<b>Product number</b>	<b>1835.3114</b>
Product family	Rocker switches
Actuation type	direct
Weight	11.733 g
Switch on continuous current (capacitive)	5 A
Inrush current (capacitive)	120 A
ROHS conform	yes
Switching function	ON / OFF switch (DPST)
Material fixed contact	Ag
Number of poles	2 - pole
connections	Quick-connect terminal, 6.3 x 0.8
Mechanical life endurance	10E4
Rating IEC	20 (4) A 250 V AC 1E4 10 (8) A 250 V AC 5E4
Rating North America	16 A 250 V AC 1 HP
Contact resistance (new condition)	< 100 (1 A 12 V DC) mOhm
Insulation resistance (new condition)	> 100 (500 V DC) MOhm
Voltage strength at 250 V	function insulation / basic insulation 1 500 V reinforced insulation 3 000 V small contact distance 500 V
Proof tracking	250 PTI
Insulation spacing	acc. to EN 61058 for reinforced or double insulation
Protection type	Connection IP 40 Actuator IP 40
Temperatures	Connection side min. -20 °C Connection side max. 85 °C Actuation side min. -20 °C Actuation side max. 55 °C Storage temperature min. -40 °C Storage temperature max. 80 °C
Flammability	UL 94 V-2
Glow wire test temperature	850 °C
Actuators and additional actuators	rocker: PC, transparent orange, identification black
Housing description	housing: PA, black
Connection surface	bearing connection silver plated external connection silver plated
Contact material	Ag
Contact distance	≥ 3 mm
Lighting	function lighting: glow lamp, 230 V, red
Rating Code UL	R 142
Contact type	lifting contact

Plug force of the terminals	≤ 80 N
Approval marks	CSA / ENEC 05 / UL
Suitable for appliances of protection class	II
Additional labeling	site, year, week of manuf. acc. to DIN EN 60062
Type of fastening	Snap fastening
Stock version	●