



EOZ
SOLUTIONS & COMPONENTS

DJET Ø10mm Toggle Switch

Recommended for outdoor applications, military and avionics equipment, telecommunications, medical equipment, power supplies.

The professional toggle and pushbutton switches are available in one or two pole version. The switches are IP 67 front sealed or IP 65 with fitted silicone cap.

Toggle and pushbuttons switches of the DJET series are available in two sizes and fit in to front panel mounting hole of 10 mm dia.

MOUNTING

The switches are mounted by pushing them through the mounting hole in the front panel. They are fixed with a fixing nut.

□ Switching system

Positive snap-action

MATERIAL

□ Material of contact

Gold contacts: Gold/gold plated brass contacts

Silver contacts: Solid silver/silver-plated contacts

MECHANICAL CHARACTERISTICS

□ Front panel thickness

Min. 1.2 mm

□ Terminals

Gold contacts: Gold plated brass

Silver contacts: Silver plated brass

□ Tightening torque

Rear nut 125 Ncm

Do not tighten by means of top nut!



ELECTRICAL CHARACTERISTICS

□ Operating voltage/-current

10 V, 50 mA minimum (silver contacts)

10 mV, 100 µA (gold contacts)

□ Isolation resistance

>100 000 MΩ at 500 VDC

□ Contact resistance

<10 mΩ

□ Electrical life

100 000 operations

□ Switch rating

Resistive circuit

Voltage	220 VAC	110 VAC	48 VDC	24 VDC	12 VDC
---------	---------	---------	--------	--------	--------

Current	1.5 A	2.5 A	1 A	2.25 A	4.5 A
---------	-------	-------	-----	--------	-------

□ Inductive circuit

50 % of above values

□ Electric strength

1000 Vrms, 50 Hz between terminals on the same pole

2000 Vrms, 50 Hz between all terminals connected

together and ground

2000 Vrms, 50 Hz between terminals of adjacent poles

ENVIRONMENTAL CONDITIONS

□ Storage temperature

-40 °C ... +85 °C

□ Operating temperature

-40 °C ... +85 °C

□ Protection degree

IP 67 (sealed 10 mm dia. version only)

IP 65 with protective cap

□ Shock resistance

100 g, as per IEC 60512-4

□ Resistance to vibrations

10 g, 10 ... 2000 Hz, 10 cycles, as per IEC 60512-4

□ Damp heat

56 days (Gold contact versions only)

EOZ S.A.S – 5, rue Henri François – F-77330 OZOIR-LA-FERRIERE

Téléphone : +33 1 81 14 49 49 – Télécopie : +33 1 81 14 49 52

Capital 200 000 € - SIRET 529 137 531 00016 RCS Melun

APE-NAF 2733Z – TVA FR39529137531

www.eozonline.com

DJET Ø10mm Toggle Switch

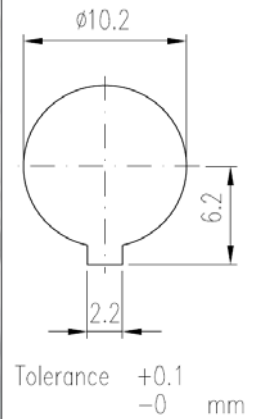
STANDARD PART NUMBERS



	Front ring	Switching action	Contact material	Contact	Typ-Nr	Drawing dimensions
Toggle switch Ø10 mm	Metal mat-black	MA-MA	Gold (Au)	1 C	11.17201.30	1
			Gold (Au)	1 C	11.17201.22	1
	Metal Mat-chrome	MA / MA	Silver (Ag)	1 C	11.17271.22	1
				2 C	12.17273.22	3
	Metal chrome	MA / MA	Gold (Au)	1 C	11.17051.21	2
				2 C	12.17063.21	3
Silver (Ag)			1 C	01.17001.21	2	
			2 C	02.17013.21	3	

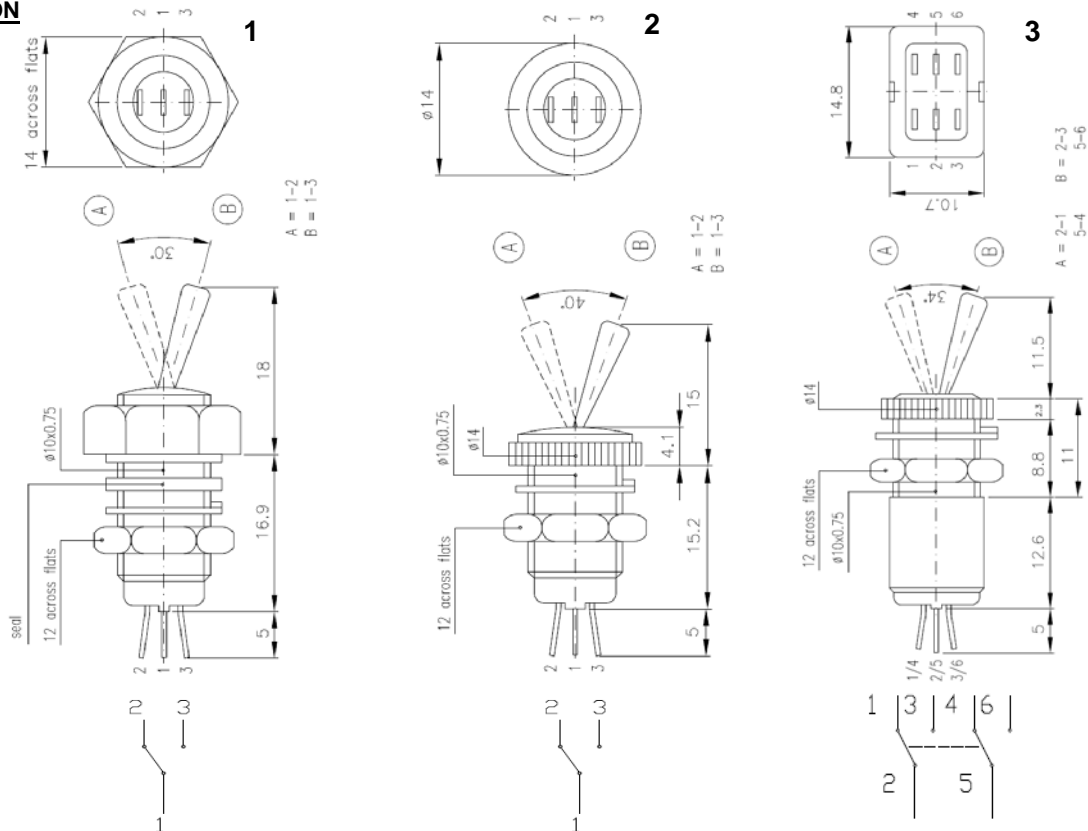
IMPLANTATION

FRONT PANEL MOUNTING HOLE:



Switching action: MA -Maintained
Soldering terminals
C= changeover

DRAWING DIMENSION



CONNECTION

The sales department is at your disposal

Email : contact@eozonline.com

site: www.eozonline.com