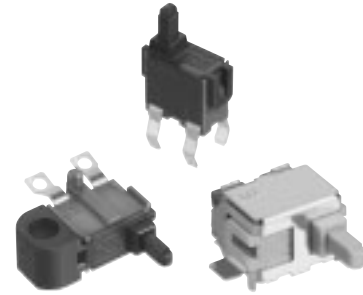


5N Detector Switches

Type: **ESE11**



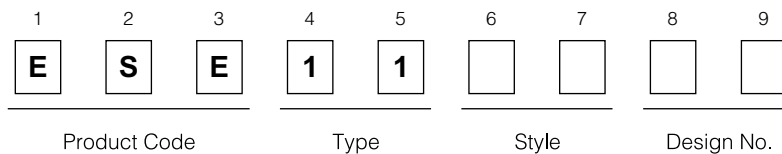
■ Features

- Wide range of customizable features including operational directions
- Light operating force
- Wide available range for reflow soldering

■ Recommended Applications

- Detection of media in portable electronic equipment

■ Explanation of Part Numbers



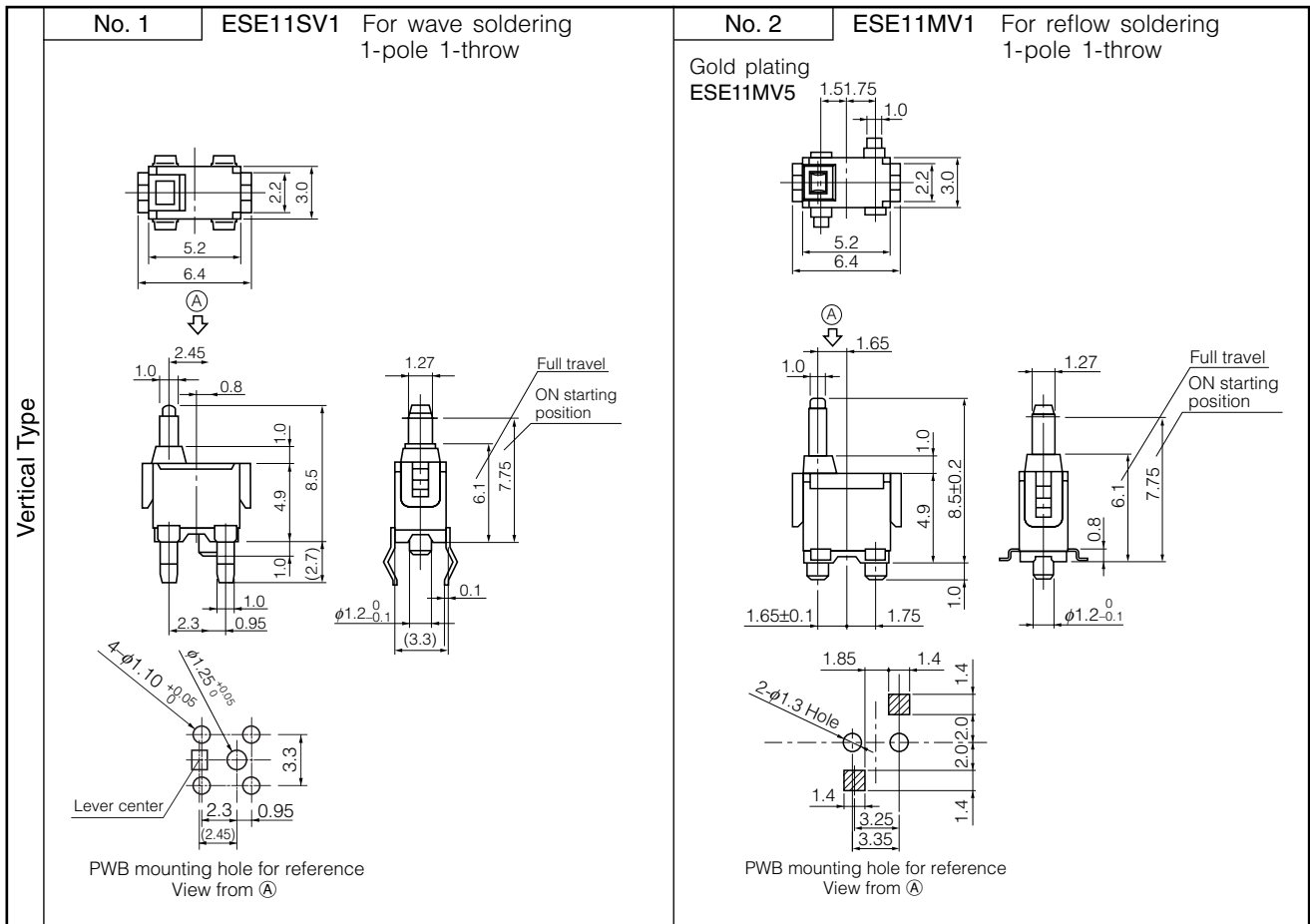
■ Specifications

Rating	50 μ A 3 Vdc to 10 mA 5 Vdc (Resistive load)
Contact Resistance	500 m Ω max. (Initial)
Insulation Resistance	100 M Ω min. (100 Vdc)
Dielectric Withstanding Voltage	100 Vac for 1 minute
Operating Force	350 mN max. (Full Travel)
Mounting Height	<ul style="list-style-type: none"> · Type SV 4.9 mm · Type MV 4.9 mm (MV2, 7 : 5.4 mm) · Type SH 5.25 mm · Type MH 4.25 mm · Type HS, SF 3.6 mm
Poles and Throws	1-pole 1-throw
Full Travel (Pushing distance)	<ul style="list-style-type: none"> · Type SV 6.1 mm (2.4 mm) · Type MV 6.1 mm (2.4 mm) · Type SH 3.0 mm (2.4 mm) · Type MH 1.7 mm (2.4 mm) · Type HS, SF 6.3 mm (2.4 mm)
Operating Life	50000 cycles min.
Temperature Range	-10 °C to +70 °C
Heat Resistance	+80 °C for 96 hours
Low Temperature Resistance	-25 °C for 96 hours
Humidity Resistance	+40 °C 90 % to 95 % RH for 96 hours

Design and specifications are each subject to change without notice. Ask factory for the current technical specifications before purchase and/or use. Should a safety concern arise regarding this product, please be sure to contact us immediately.

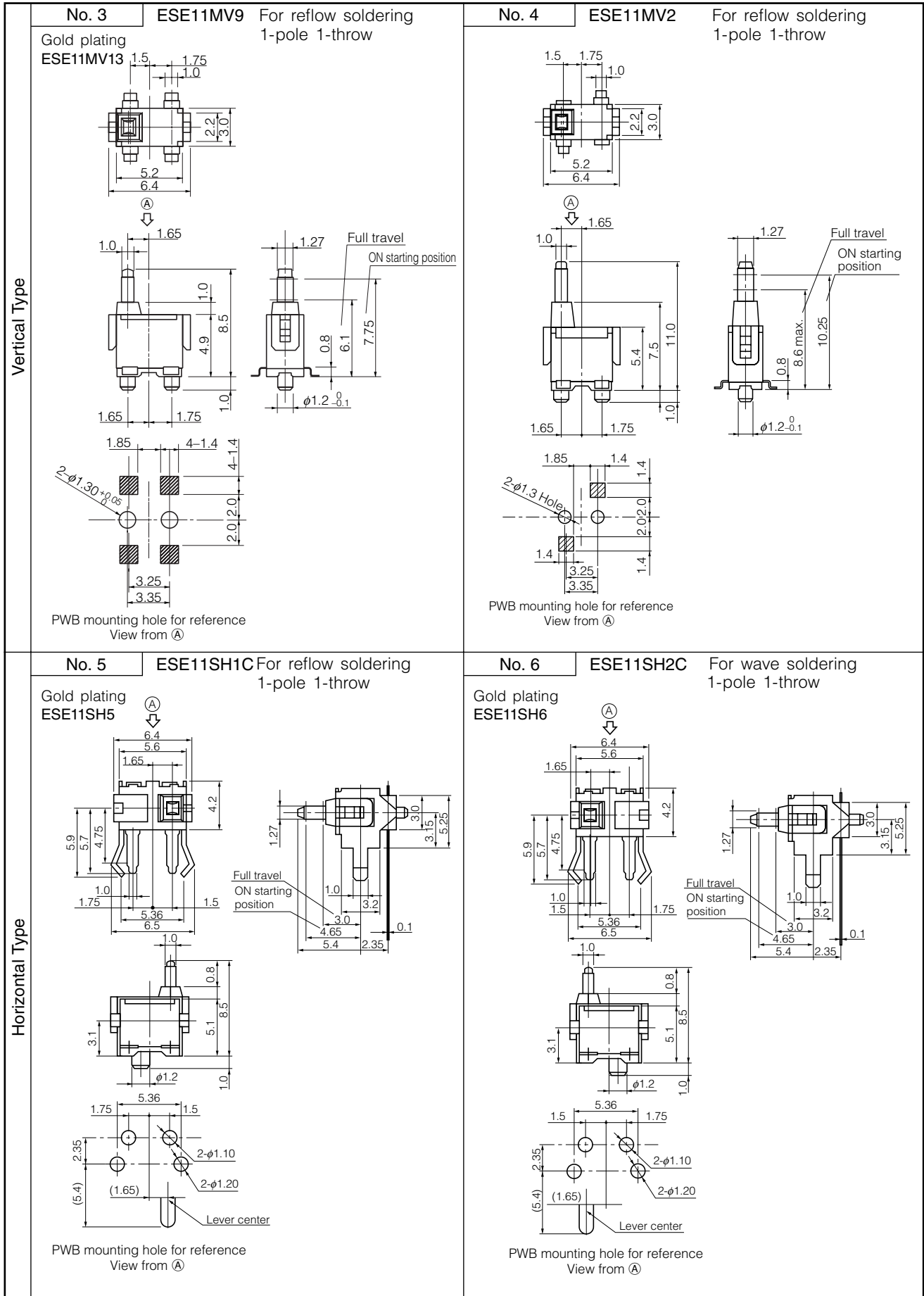
Minimum Quantity/Packing Unit	ESE11SV□ ESE11MV□ ESE11SH□ ESE11MH□ ESE11HS□ ESE11SF□	200 pcs. Polyethylene Bag (Bulk)
	ESE11MV□T (Excluding : ESE11MV2)	800 pcs. Embossed Taping (Reel Pack)
	ESE11MH□T	1500 pcs. Embossed Taping (Reel Pack)
Quantity/ Carton	ESE11SV□ ESE11MV□ ESE11SH□ ESE11MH□ ESE11HS□ ESE11SF□	10000 pcs. Polyethylene Bag (Bulk)
	ESE11MV2	8000 pcs. Polyethylene Bag (Bulk)
	ESE11MV□T (Excluding : ESE11MV2)	4800 pcs. Embossed Taping (Reel Pack)
	ESE11MH□T	9000 pcs. Embossed Taping (Reel Pack)

■ Dimensions in mm (not to scale)



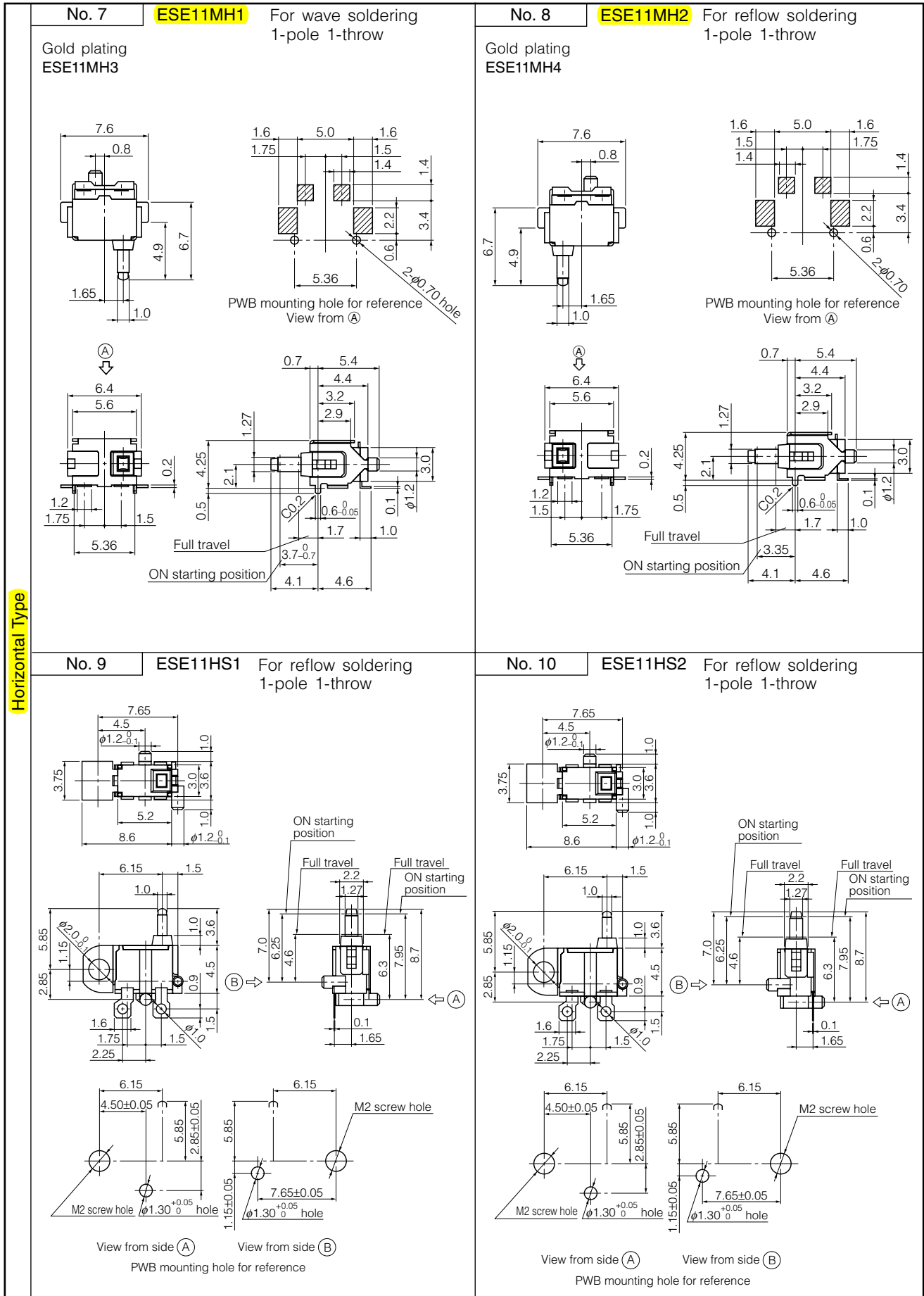
Design and specifications are each subject to change without notice. Ask factory for the current technical specifications before purchase and/or use. Should a safety concern arise regarding this product, please be sure to contact us immediately.

■ Dimensions in mm (not to scale)



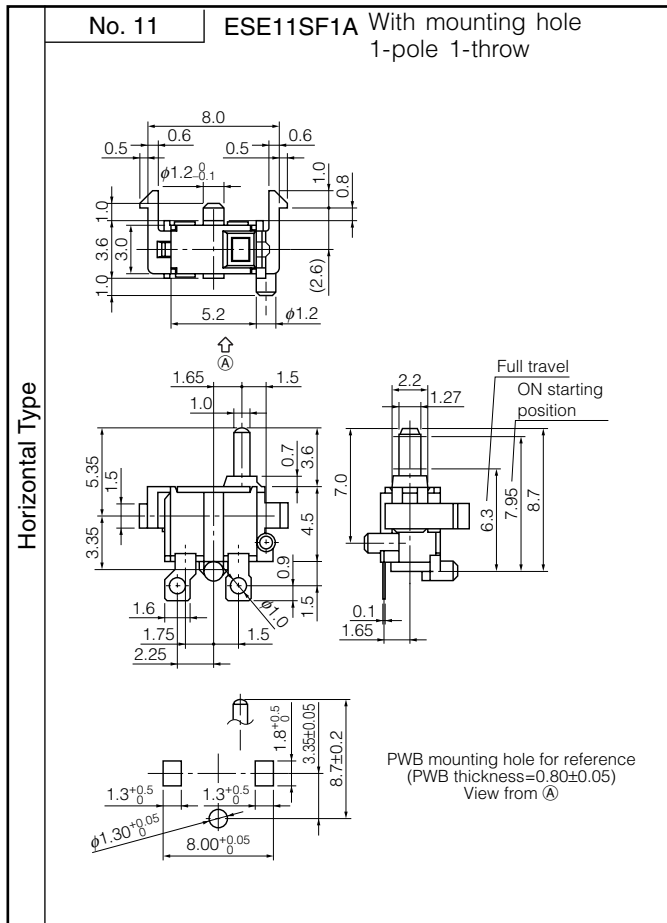
Design and specifications are each subject to change without notice. Ask factory for the current technical specifications before purchase and/or use. Should a safety concern arise regarding this product, please be sure to contact us immediately.

■ Dimensions in mm (not to scale)

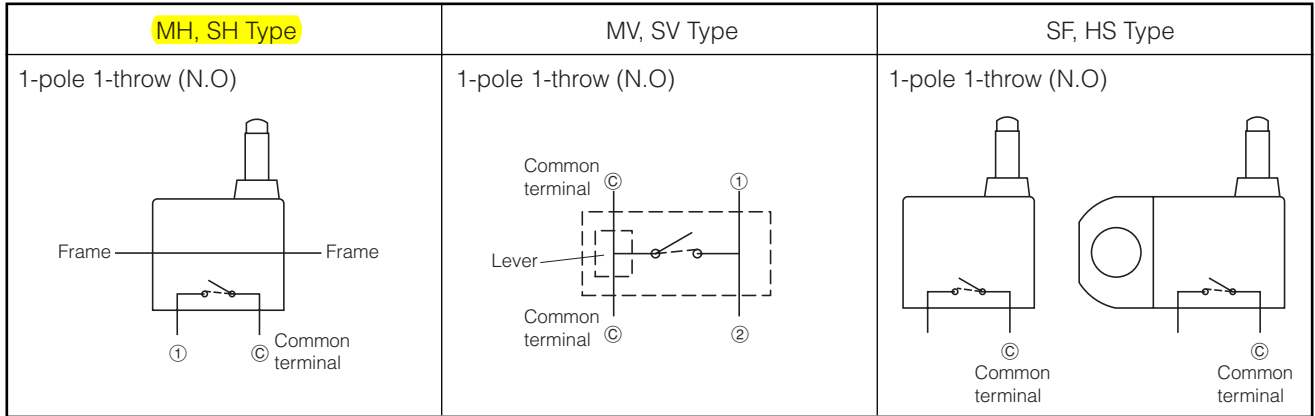


Design and specifications are each subject to change without notice. Ask factory for the current technical specifications before purchase and/or use. Should a safety concern arise regarding this product, please be sure to contact us immediately.

■ Dimensions in mm (not to scale)

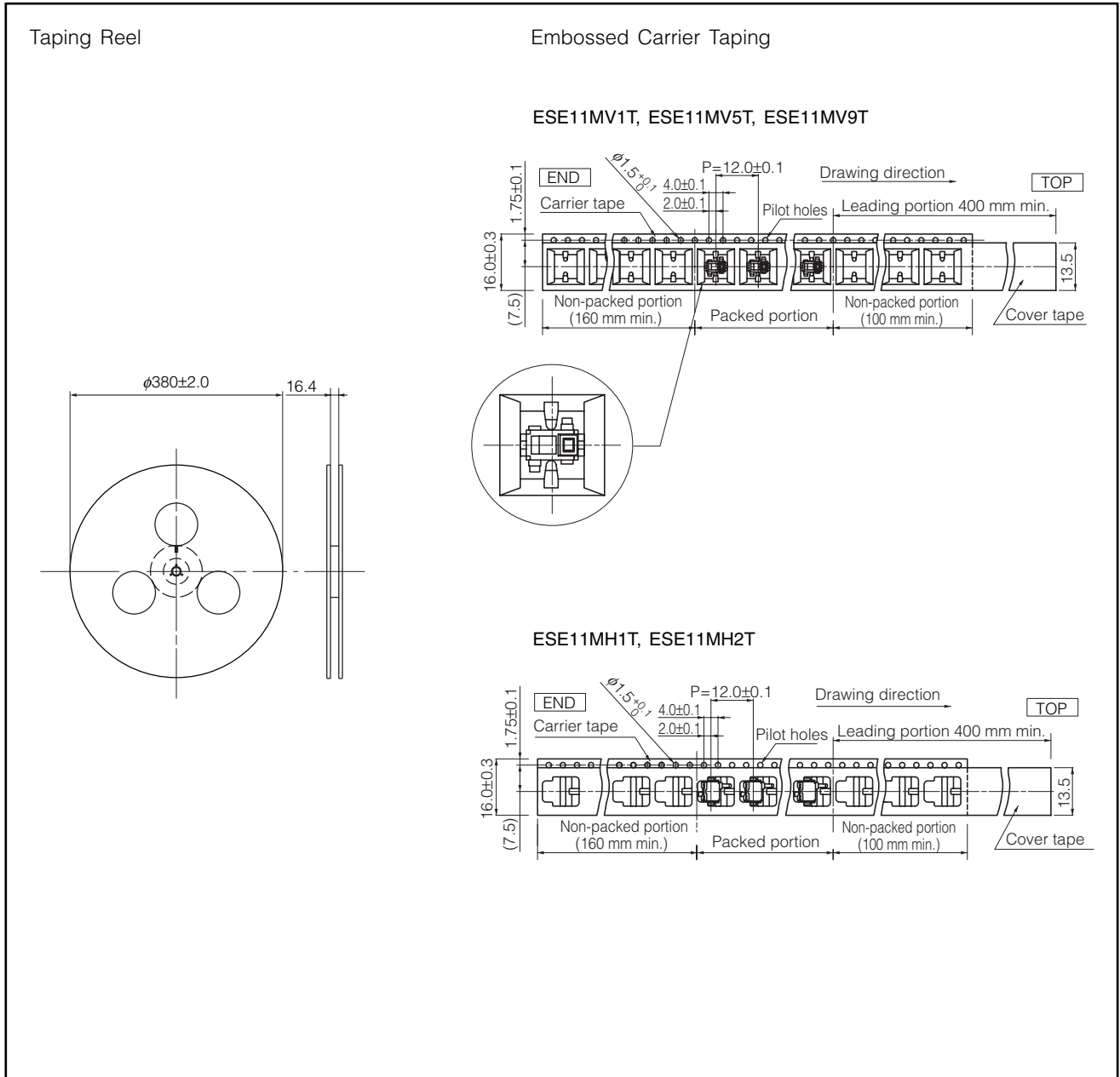


■ Circuit Diagram



■ Packaging Specifications

Standard Reel Dimensions in mm (not to scale)



Design and specifications are each subject to change without notice. Ask factory for the current technical specifications before purchase and/or use. Should a safety concern arise regarding this product, please be sure to contact us immediately.