



Main Features

- Multi-purpose standard thermometer
- Class 1 and 2 according to EN 13190
- Immersion tube brass (option stainless steel)
- Immersion length 100 – 1000 mm

Applications

- Water & Waste water
- Energy
- Machinery
- HVAC

Technical Data

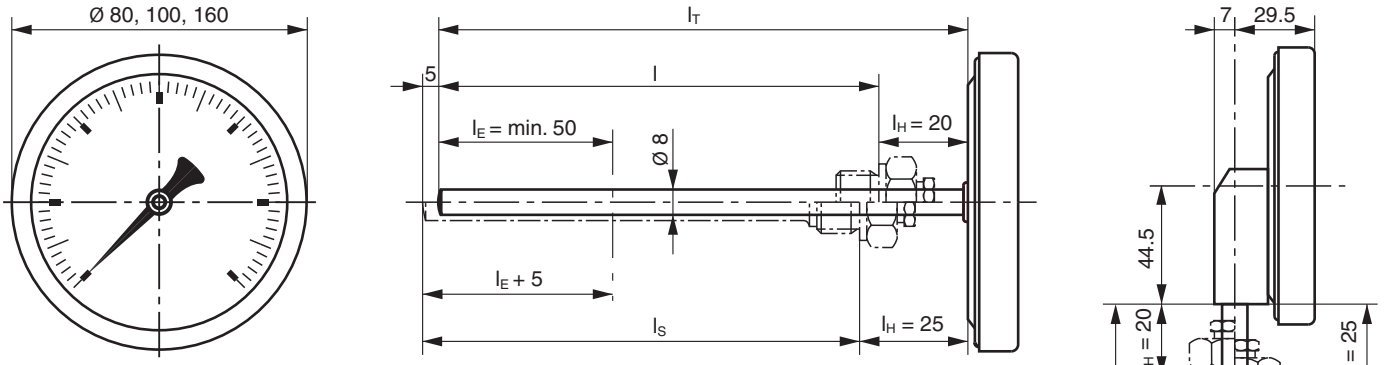
Nominal size	80, 100, 160 mm	Dial	Aluminium, white
Temperature range	-30 ... 500°C	Pointer	Aluminium, black, adjustable
Accuracy	According to EN 13190 up to 250°C: class 1 above 250°C: class 2 (class 1 on request)	Minimum immersion length	$L_E \geq 50$ mm
Protection rating	IP 50 (EN 60529)	Temperature limit	ranges $\leq 400^\circ\text{C}$: 135% F.S. ranges $> 400^\circ\text{C}$: 100% F.S.
Immersion tube	Brass Option: Stainless steel 1.4571 (AISI 316 Ti)		
Case	Stainless steel 1.4301 (AISI 304)		
Bezel ring	Stainless steel 1.4301 (AISI 304)		
Window	Instrument glass		

Options

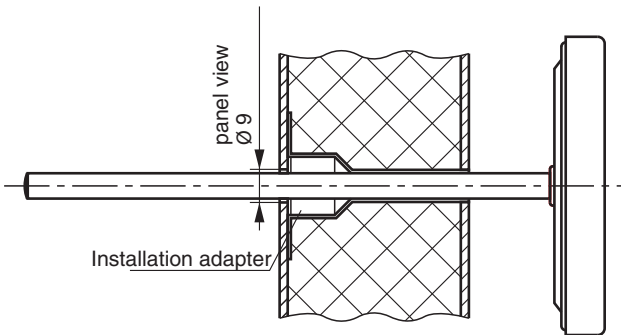
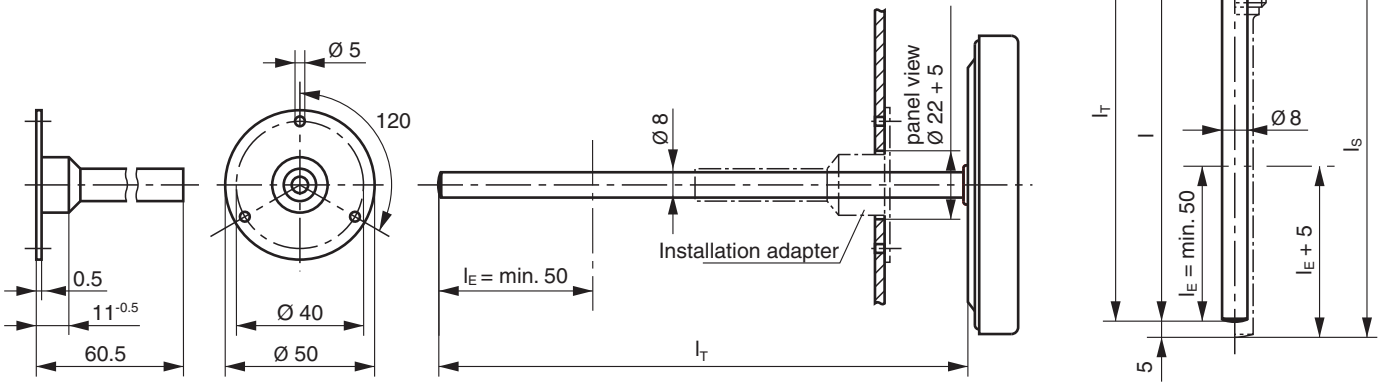
Dampening grease	Code 0581	To be ordered separately	
Acrylic window (PMMA or Plexiglass) ⁽¹⁾	Code 0752	Calibration certificate (3 points)	90001188
Silicon free, label marking	Code 0793		
Silicon free, marking on dial	Code 0794		
Red mark	Code 9700		
Green mark	Code 9701		
Specific temperature range	Code 9704		
Customer logo on dial	Code 9710		
Specific technical data on dial	Code 9711		

⁽¹⁾ The case must not be constantly heated over 75°C.

Drawing (dimensions in mm)



Installation adapter (Art. 10271371) for direct mounting on airducts



Weight in kg		
NS	bottom	center back
80	0.190	0.140
100	0.270	0.160
160	-	0.410
Add per 100 mm		
$\varnothing 8$ mm	0.017	

Temperature ranges

Code	Range °C
53T ¹⁾	-10 ... 30
52T	-20 ... 40
54T	-20 ... 60
61T	-30 ... 30
51T	-30 ... 70
10T ¹⁾	0 ... 40
11T	0 ... 60
27T	0 ... 80

Code	Range °C
12T	0 ... 100
20T	0 ... 120
13T	0 ... 160
22T	0 ... 200
14T	0 ... 250
15T	0 ... 400
30T	100 ... 500

¹⁾ Only center back version, NS 80 and NS 100, max. immersion length 160 mm

Ordering details TB

	TB			-	2			.	1			.	xxx	/
Model	Bimetal Thermometer													
	TB													
Nominal size														
80 mm		0	8	0										
100 mm		1	0	0										
160 mm ⁽¹⁾		1	6	0										
					-									
Case														
Stainless steel 1.4301 (AISI 304)					2									
Connection														
Without connection (direct mounting)						1								
Immersion tube outlet														
Bottom								1						
Center back								2						
									.					
Indication														
EN 13190 (Standard)									1					
Immersion tube / diameter / material														
Ø 8 mm, Cu-alloy (only up to 250°C)													5	
Ø 8 mm, stainless steel 1.4571 (AISI 316 Ti)													6	
Immersion tube / installed length L														
100 mm														2
160 mm														4
250 mm														6
400 mm														7
600 mm														8
1000 mm														9
Unit of measurement / Temperature ranges ⁽²⁾														
°C														xxT
Options to be added behind the / (see example below)														

⁽¹⁾ Only available with center back immersion tube.

⁽²⁾ Available standard temperature ranges, see tables on page 2. For ranges not listed, please contact Baumer.

Ordering example with options

	TB	100	-	2	1	1	.	1	6	9	.	12T	/	9710	-	9700	-	0793	
Bimetal thermometer	←																		
Nominal size 100 mm	←																		
Case material stainless steel 1.4301 (AISI 304)	←																		
Without connection (direct mounting)	←																		
Immersion tube outlet: Bottom	←																		
Indication EN 13190 (standard)	←																		
Immersion tube Ø 8 mm, stainless steel 1.4571 (AISI 316 Ti)	←																		
Immersion length (L) 1000 mm	←																		
Temperature range: 0 ... 100°C	←																		
Option: Customer logo on dial	←																		
Option: Red mark	←																		
Option: Silicon free, label marking	←																		