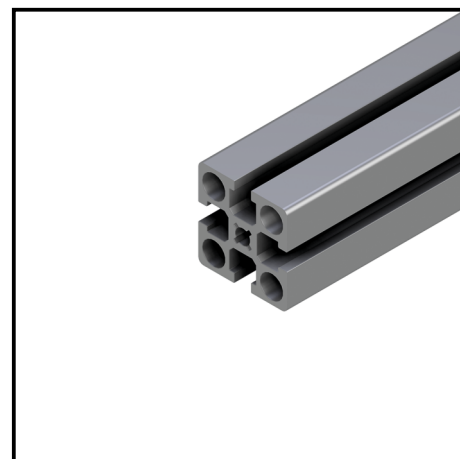
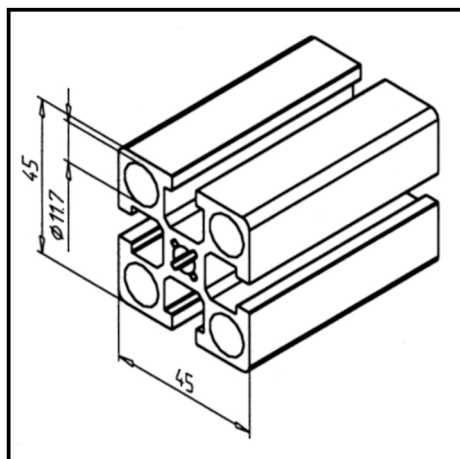


PROFILE 45 X 45

Article Nr. 20.1006/0

[See the product on the website](#) →

[Download CAD Files](#) →



TECHN. DATA / ITEMS SUPPLIED

- Aluminium, extruded, anodized E6/EV1
- $I_x = 15.934 \text{ cm}^4$
- $I_y = 15.934 \text{ cm}^4$
- $w_x = 7.081 \text{ cm}^3$
- $w_y = 7.081 \text{ cm}^3$
- $IT = 13.416 \text{ cm}^4$
- Weight = 2.205 kg/m
- Packing unit = 36 m

APPLICATIONS

- All kinds of constructions
- Compressed air piping
- The $\text{Ø} 11.7 \text{ mm}$ bores can be enlarged to G 1/4 to hold screw plugs or pneumatic connections

ASSEMBLY

- MiniTec power-lock fastener
- Angle 25 / 45, bolt-fastener, screw connection
- Lateral connections G 1/8" direct into the profile