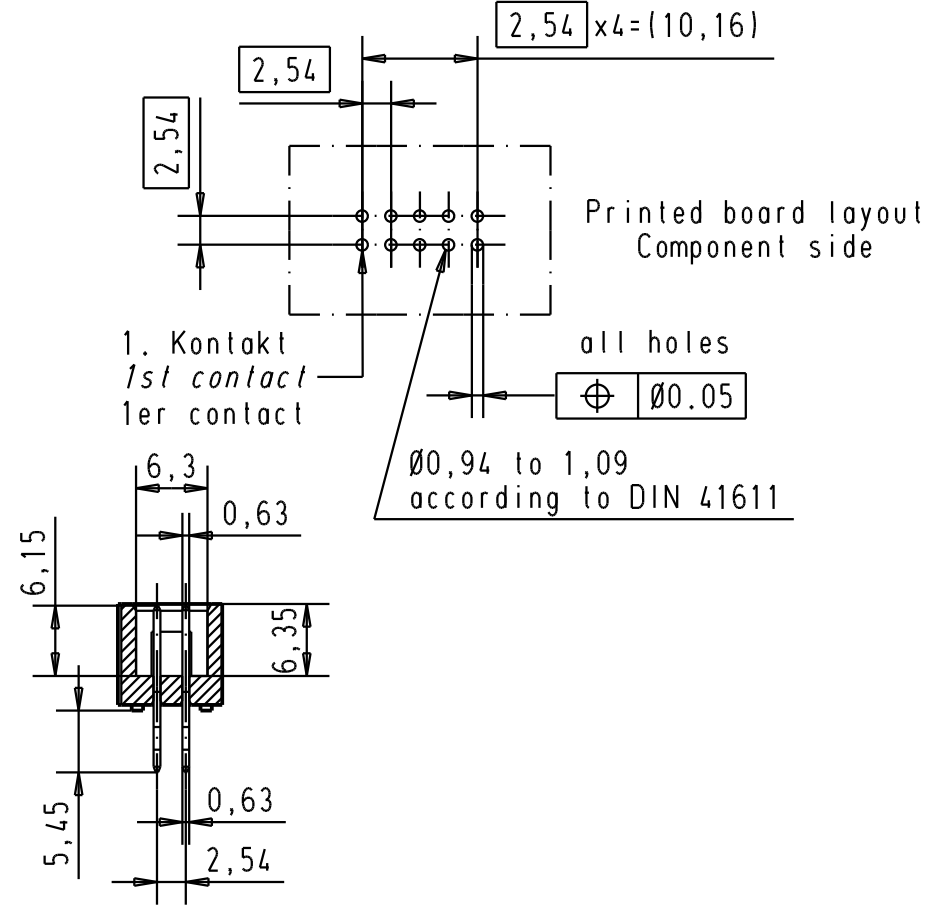
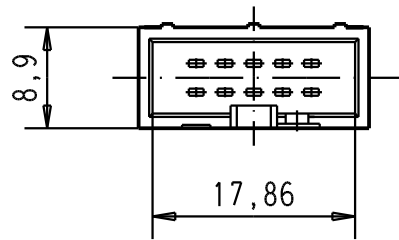
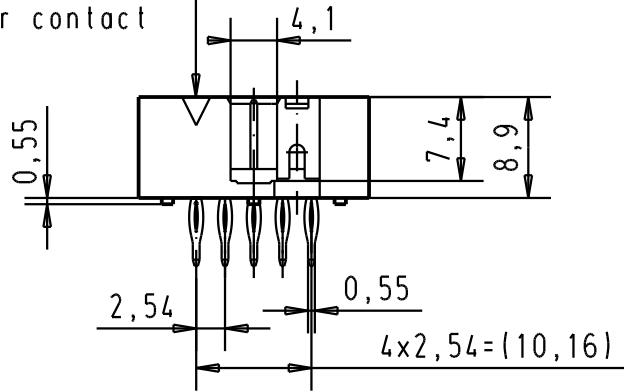


1. Kontakt
1st contact
1er contact



Printed board layout
Component side

1. Kontakt
1st contact
1er contact

all holes
Ø0,94 to 1,09
according to DIN 41611

					Techn. Character.			Nicht tolerierte Masse/ Free size tolerances		
		All Dimensions in mm Original Size DIN A 4								
09185105329		0,76 µm Au								
09185106329		2			Detail.			SEK 18 Male connector		
09185107329		3			Insp.			10 poles		
					Stand.			Low profile har.press		
Bestell-Nr. Part-No. Reference		Anforderungsstufe performance level Niveau de qualite			31897 18/05/04 AF			HARTING EURL F-95972 Paris		
					26570 01-FEB-00 JB					
					Mod. Dat. Name			TB 0918510x329		
								Blatt/ page 1/1		



Sub.