

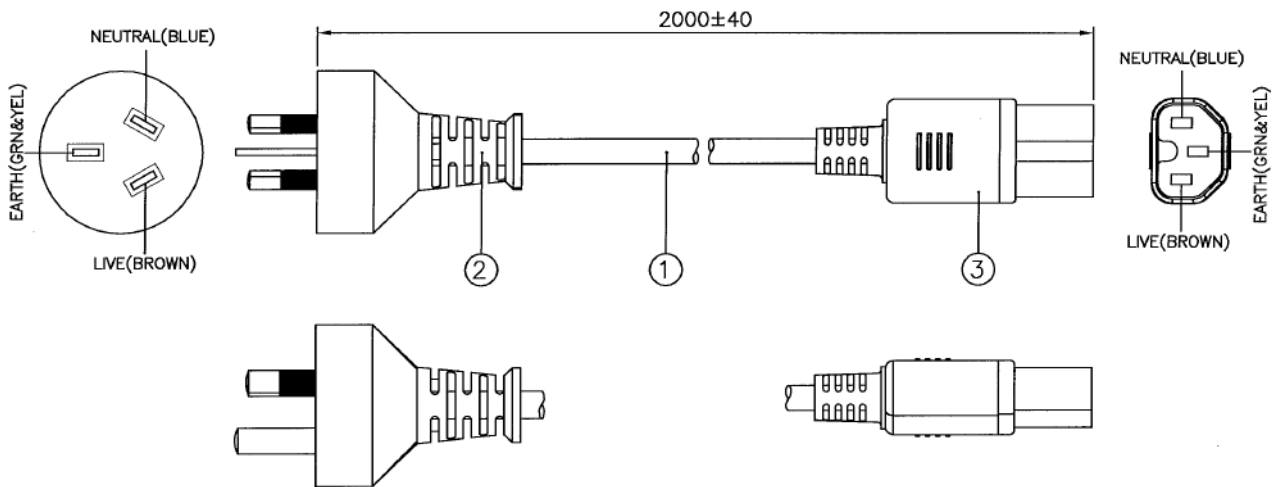
# Datasheet

## Australian/New Zealand Power Supply Cord Set

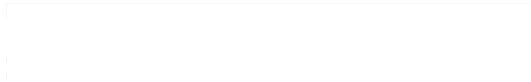
RS Stock number 909-2178

### Note:

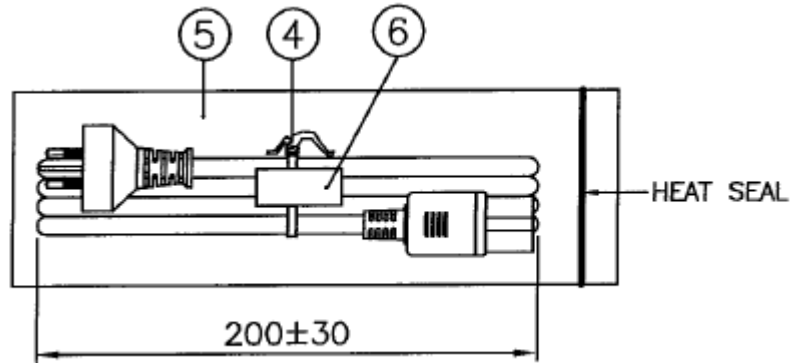
- All dimensions in mm.
- The cord shall comply with AS/NZS 60245.
- The molded plug shall comply with AS/NZS 3112.
- The molded connector shall comply with AS/NZS 60320.1



S/N	Description	Item Number	Qty.
1	H0RR-F 3x1.00 blk (bare copper/AS/NZS 60245.4)	1270026	1
2	Molded Plug AU10LS3 (10A 250V)	AU10LS3-A	1
	IP60G NL7976B blk	4100115	-
3	Molded Connector VSCC15 (10A 250V)	VSCC15-BKR	1
	IP60G NL7976B blk	4100115	-



**APPROVED SOURCE FOR CABLE**  
 1. TA TUN(DONG GUAN).



S/N	Description	Item Number	Qty.
4	6" PE TIE blk	6310056	1
5	Bag LDPE 283x114x0.05	904028	1
6	Printed Label	VL-0538	1