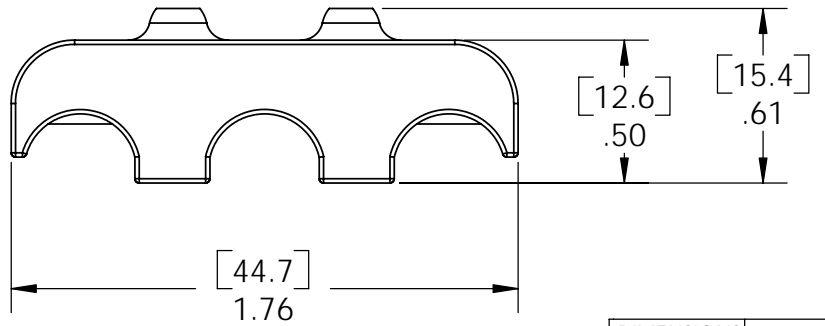
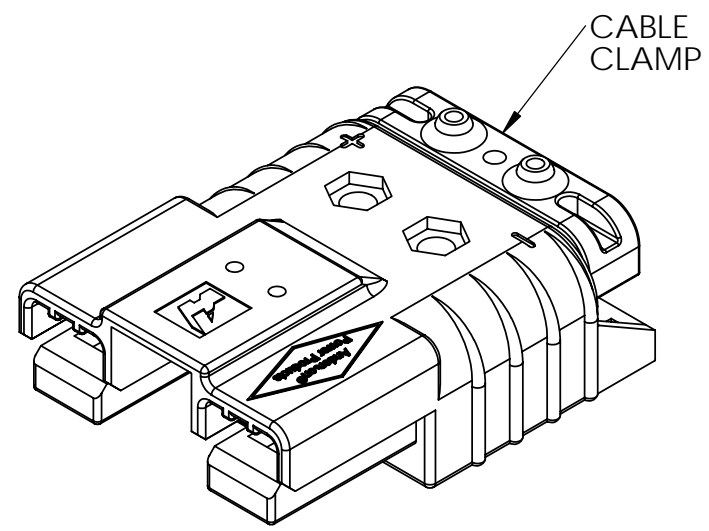
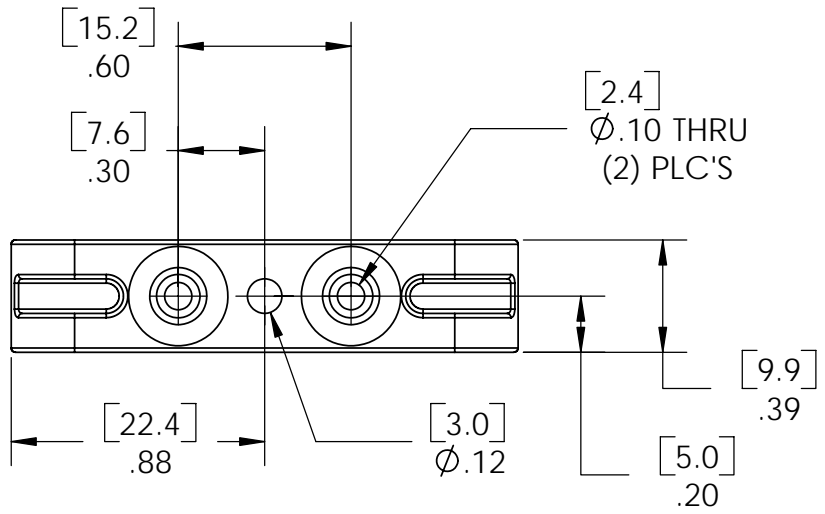



THE INFORMATION CONTAINED IN THIS DRAWING IS THE SOLE PROPERTY OF ANDERSON POWER PRODUCTS. ANY REPRODUCTION IN PART OR WHOLE WITHOUT THE WRITTEN PERMISSION OF ANDERSON POWER PRODUCTS IS PROHIBITED.

Copyright 2004

ANDERSON POWER PRODUCTS RESERVES THE RIGHT TO ALTER PRODUCT TYPES, THEIR TECHNICAL DATA, DIMENSION, STYLE AND ACCESSORIES WITHOUT PRIOR NOTIFICATION.



NOTES:
1. KIT INCLUDES CLAMP AND (2) SELF-TAPPING SCREWS

DIMENSIONS ARE IN:		INCH[MM]	MM[INCH]	APPROVALS		 ANDERSON POWER PRODUCTS			
UNLESS OTHERWISE STATED				DRAWN	AMP	4-14-04	TITLE SBO60/SBE80 RED CABLE CLAMP		
TOLERANCES:				CHECKED	DJD	4-21-04			
DECIMALS (INCH)	DECIMALS (MM)	ANGLES		MFG APP	DAM	4-21-04			
XX ± .02	X ± .5	± 2°		QC APP	RPO	4-21-04			
SURFACE FINISH:				ENG APP	MAW	4-21-04	SIZE	DWG NO.	REV.
MACHINED		128 [3.2] ✓		-CAD GENERATED DRAWING- DO NOT MANUALLY UPDATE DO NOT SCALE		A/A4	113953S1	2	
MOLDED		64 [1.6] ✓		3rd ANGLE PROJECTION		SCALE	CADFILE	SHEET	
MATERIAL:				PBT UL 94 V0		NONE	02219	1 OF 1	
FINISH:				N/A					

2	ECRN 13800 - ADD SCREW PROTRUSIONS, UPDATE LOGO	AMP	3-2-05
1	ECRN 13782 - REDRAW AND RENUMBER	AMP	1-25-05
REV.	DESCRIPTION OF CHANGES	APPROVED	DATE