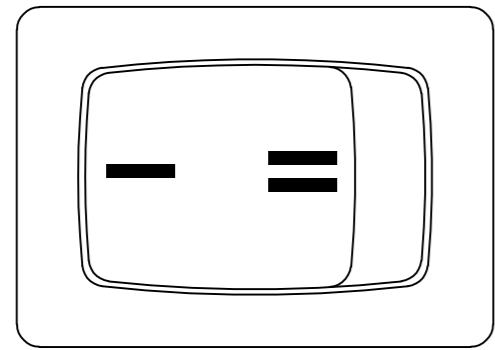
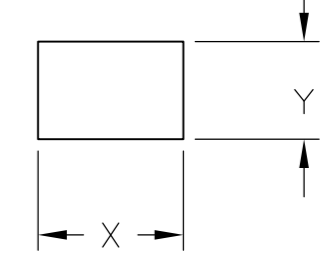


THIS DRAWING IS UNPUBLISHED. RELEASED FOR PUBLICATION  
 © COPYRIGHT - By - ALL RIGHTS RESERVED.

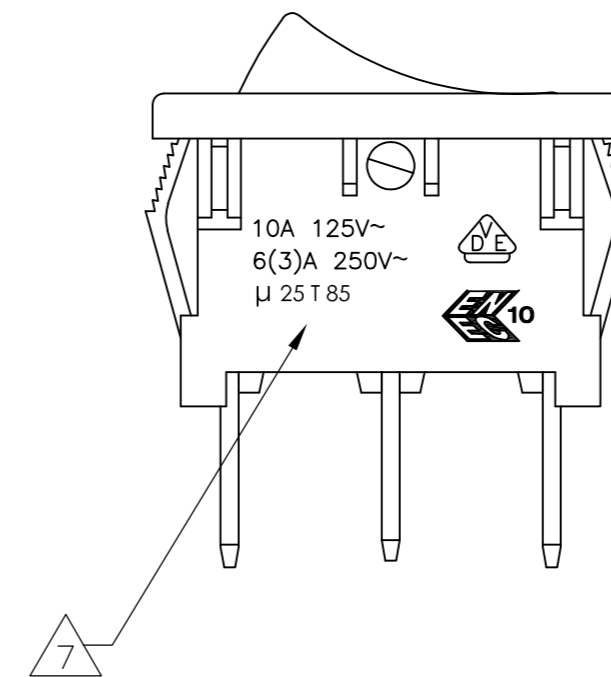
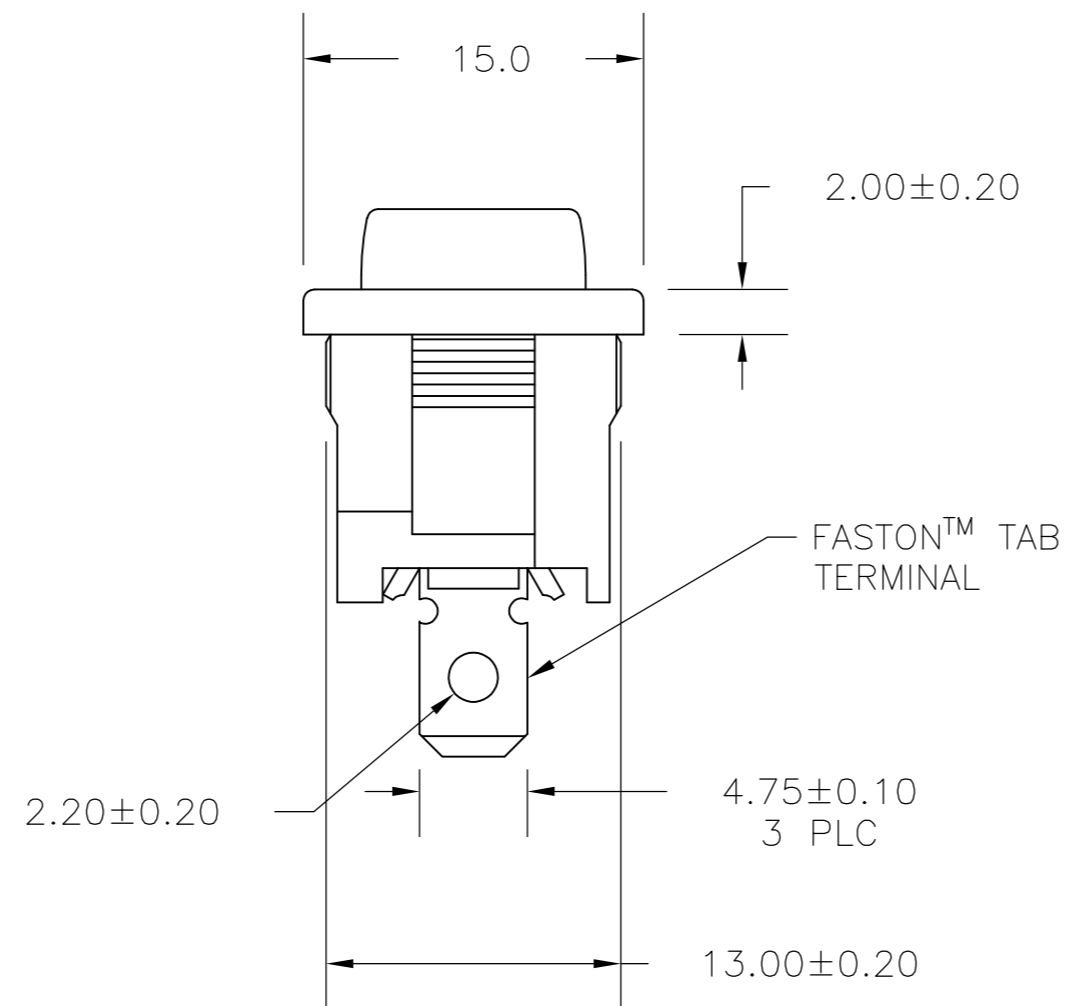
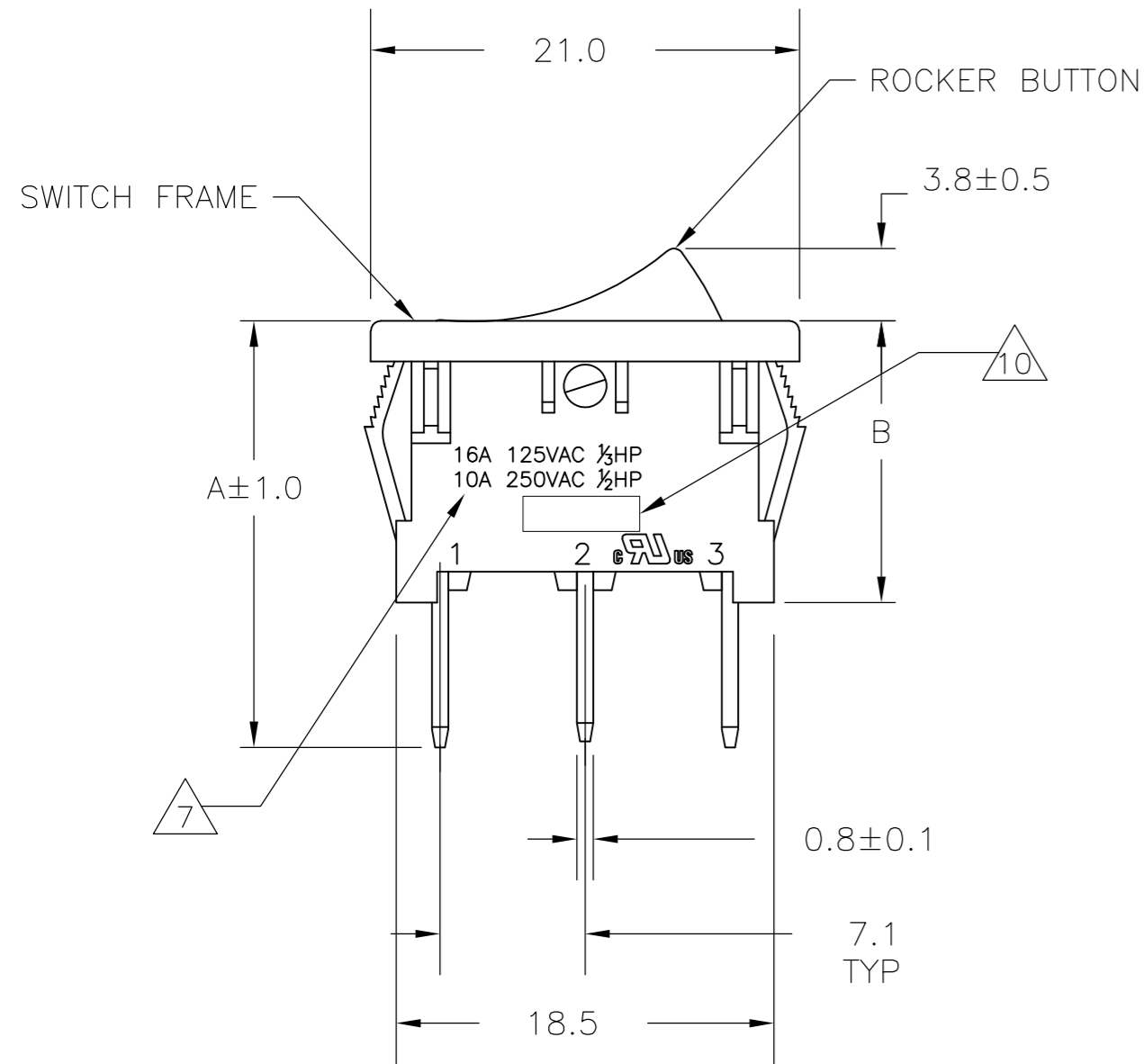
LOC		DIST		REVISIONS			
P	LTR	DESCRIPTION		DATE	DWN	APVD	
L1		REVISED PER ECO-11-004820		11MAR11	RK	HMR	



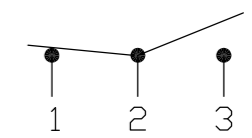
PANEL CUT OUT



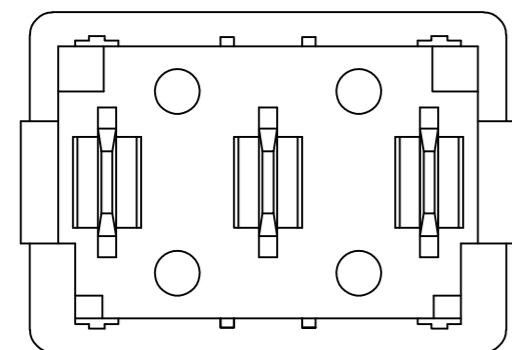
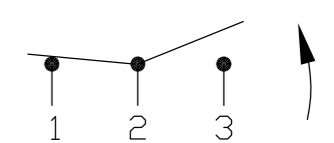
2.00-3.00	19.8-0.1	13.0+0.1
1.25-2.00	19.4-0.1	13.0+0.1
0.75-1.25	19.2-0.1	13.0+0.1
PANEL THICKNESS	X	Y



SWITCH FUNCTION D1  
CIRCUIT DIAGRAM



SWITCH FUNCTION D2  
CIRCUIT DIAGRAM

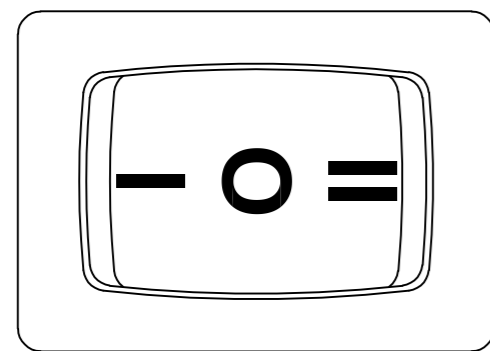


1571079-5 SHOWN  
(TWO ROCKER BUTTON POSITIONS)

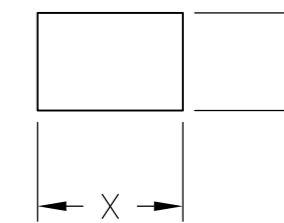
THIS DRAWING IS A CONTROLLED DOCUMENT.		DWN M.BINNER 25FEB2002		
DIMENSIONS: mm		CHK J.MOSIER		
TOLERANCES UNLESS OTHERWISE SPECIFIED:		APVD -	NAME POWER ROCKER SWITCH, 13.0mm X 19.2mm	
0 PLC ± -	1 PLC ± 0.30	PRODUCT SPEC NOT APPLICABLE	PANEL CUT-OUT SIZE, SINGLE POLE, DOUBLE-THROW, THREE TERMINALS, NON-ILLUMINATED	
2 PLC ± 0.05	3 PLC ± -	APPLICATION SPEC NOT APPLICABLE	SIZE A2	CAGE CODE 00779
4 PLC ± -	ANGLES ± -	FINISH 2	DRAWING NO C=1571079	RESTRICTED TO -
MATERIAL 1	CUSTOMER DRAWING		SCALE 3:1	SHEET 1 OF 3
			REV L1	

THIS DRAWING IS UNPUBLISHED. RELEASED FOR PUBLICATION  
 © COPYRIGHT - By - ALL RIGHTS RESERVED.

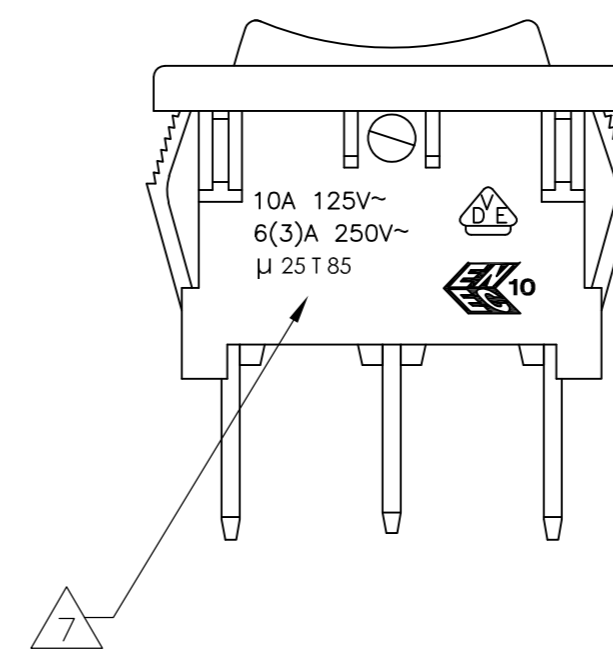
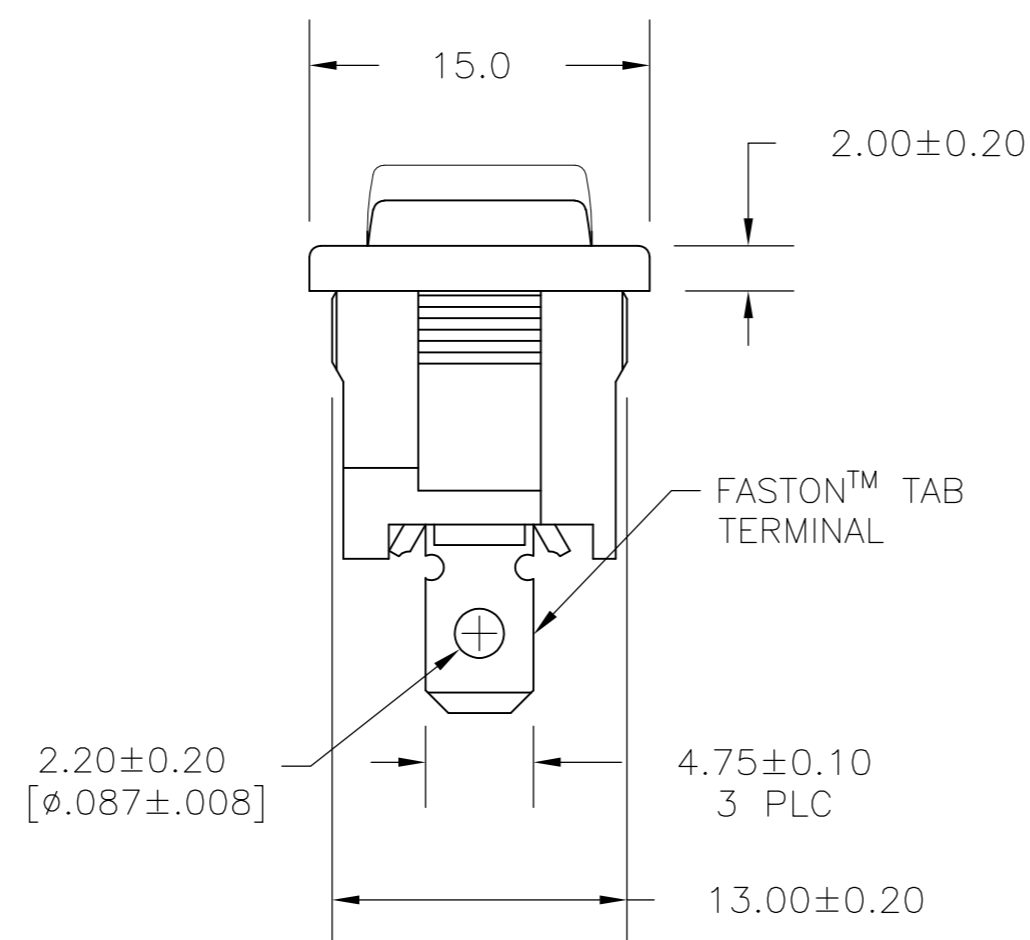
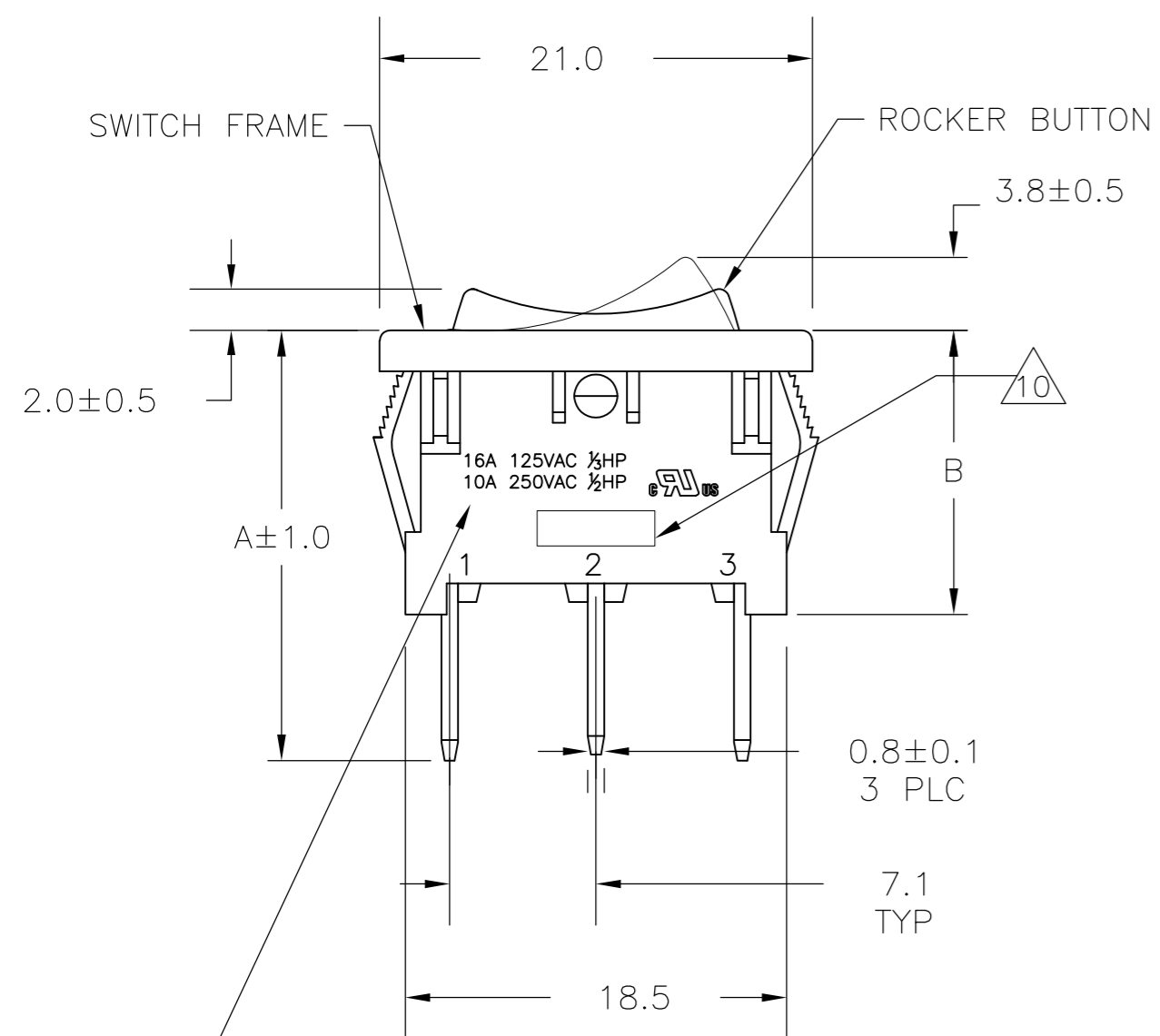
LOC		DIST		REVISIONS			
P	LTR	DESCRIPTION	DATE	DWN	APVD		
-	-	SEE SHEET 1	-	-	-		



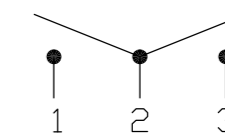
PANEL CUT OUT



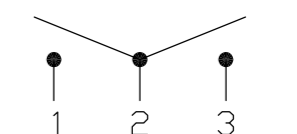
2.00-3.00	19.8-0.1	13.0+0.1
1.25-2.00	19.4-0.1	13.0+0.1
0.75-1.25	19.2-0.1	13.0+0.1
PANEL THICKNESS	X	Y



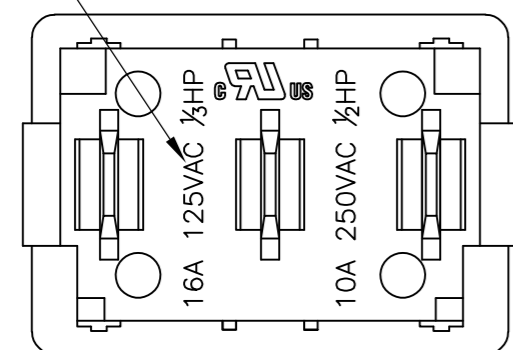
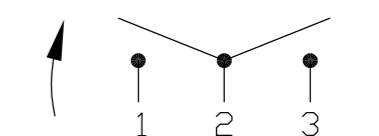
SWITCH FUNCTION D3  
CIRCUIT DIAGRAM



SWITCH FUNCTION D4  
CIRCUIT DIAGRAM



SWITCH FUNCTION D5  
CIRCUIT DIAGRAM



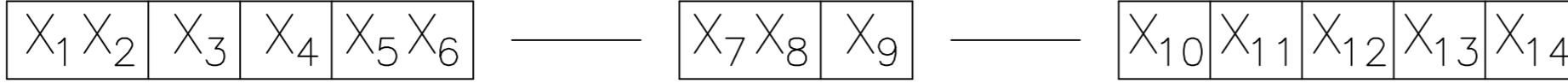
1-1571079-4 SHOWN  
(THREE ROCKER BUTTON POSITIONS)

THIS DRAWING IS A CONTROLLED DOCUMENT.		DWN M.BINNER 25FEB2002		
DIMENSIONS: mm		CHK J.MOSIER		
TOLERANCES UNLESS OTHERWISE SPECIFIED:		APVD -	NAME POWER ROCKER SWITCH, 13.0mm X 19.2mm	
0 PLC ± -	1 PLC ± 0.30	PRODUCT SPEC NOT APPLICABLE	PANEL CUT-OUT SIZE, SINGLE POLE, DOUBLE-THROW, THREE TERMINALS, NON-ILLUMINATED	
2 PLC ± 0.05	3 PLC ± -	APPLICATION SPEC NOT APPLICABLE	SIZE A2	RESTRICTED TO -
4 PLC ± -	ANGLES ± -	WEIGHT -	CAGE CODE 00779	DRAWING NO. C=1571079
MATERIAL	FINISH	CUSTOMER DRAWING	SCALE 3:1	SHEET 2 of 3

THIS DRAWING IS UNPUBLISHED. RELEASED FOR PUBLICATION  
 © COPYRIGHT - By - ALL RIGHTS RESERVED.

LOC	DIST	REVISIONS			
P	LTR	DESCRIPTION	DATE	DWN	APVD
AD	00	SEE SHEET 1	-	-	-

ALCOSWITCH PART NUMBER



SWITCH TYPE: X1 X2 = PR - POWER ROCKER  
 NOMINAL PANEL CUT OUT SIZE: X3 = A - 13.0x19.2  
 NUMBER OF POLES: X4 = S - SINGLE

SECONDARY ROCKER COLOR: X12 = Ø - NOT APPLICABLE  
B - BLACK  
G - GREEN  
R - RED  
W - WHITE

SWITCH FUNCTION: X5 X6 = D1 - ON-ON WITH OPAQUE, SINGLE-COLOR ROCKER BUTTON  
D2 - ON-(ON) WITH OPAQUE, SINGLE-COLOR ROCKER BUTTON  
D3 - ON-OFF-ON WITH OPAQUE, SINGLE-COLOR ROCKER BUTTON  
D4 - ON-OFF-(ON) WITH OPAQUE, SINGLE-COLOR ROCKER BUTTON  
D5 - (ON)-OFF-(ON), WITH OPAQUE, SINGLE-COLOR ROCKER BUTTON

LEGEND TEXT PATTERN: X13 = Ø

CURRENT RATING: X7 X8 = 16 - △6  
 TERMINAL TYPE: X9 = E - FASTON™ TAB  
L - SOLDER LUG

LEGEND TEXT COLOR: X14 = Ø - NOT APPLICABLE  
G - GREEN  
R - RED  
B - BLACK  
W - WHITE

FRAME COLOR: X10 = B - BLACK  
W - WHITE  
 ROCKER COLOR: X11 = B - BLACK  
G - GREEN  
R - RED  
W - WHITE

**1** MATERIALS:  
 ROCKER BUTTON & HOUSING FRAME: NYLON 66, UL 94 V-2.  
 TERMINAL, ACTIVE CONTACTOR: COPPER ALLOY PER ASTM B152/B152M  
 PLUNGER: COPPER ALLOY PER ASTM B036  
 PHENOLIC, UL94V1(SWITCH FUNCTION D5 ONLY)  
 SPRING: STEEL WIRE PER ASTM A228/A228M  
 CONTACT: SILVER-TIN OXIDE

**6** UL: 16A@125VAC 1/3HP / 10A@250VAC 1/2HP  
 ENEC: 10A 125V~, 6(3)A 250V~, μ25T85  
**7** ELECTRICAL RATINGS, APPROVED AGENCY LOGOS, TERMINAL IDENTIFICATION NUMBERS, MOLDED APPROXIMATELY AS SHOWN ON THE SIDE AND/OR BOTTOM SURFACE(S) OF THE SWITCH HOUSING.

**2** FINISH:  
 TERMINAL, ACTIVE CONTACTOR: 1.0μm MIN SILVER  
 COPPER ALLOY PLUNGER: 3.0μm MIN NICKEL

**8** COMPONENT RECOGNIZED TO US & CANADIAN STANDARDS, UL FILE NO. E46765.

**3** ELECTRICAL SPECIFICATIONS:  
 CURRENT AND VOLTAGE: △6  
 CONTACT RESISTANCE (INITIAL): <100mΩ (5V, 1A DC)  
 DIELECTRIC STRENGTH (INITIAL): >1000 VAC, 1 MINUTE  
 INSULATION RESISTANCE (INITIAL): >100MΩ MIN (500VDC BETWEEN OPEN CONTACTS)  
 INRUSH CURRENT: 50A / 3msec (CAPACITIVE LOAD)  
 ELECTRICAL LIFE ENDURANCE: >6000 OPERATIONS, VOLTAGE DROP: <100mV  
 TEMPERATURE RISE AT TERMINALS: <30°C, 6000 OPERATIONS (AMBIENT CONDITIONS: 25±2°C AND 65±5%R.H)

**9** COMPONENT RECOGNIZED TO EUROPEAN STANDARDS (ENEC, PENDING VDE). MARKS LICENSE No. 40006757

**10** TE CONNECTIVITY LOGO LOCATED APPROXIMATELY AS SHOWN PER TEC 202-36

**4** MECHANICAL SPECIFICATIONS:  
 ACTUATING FORCE: 150g MIN, 650g MAX  
 OPERATING LIFE ENDURANCE: >100,000 OPERATIONS  
 TERMINAL RETENTION STRENGTH: >2.5kg- SOLDER LUG  
 >6.8kg- FASTON TAB

**5** ENVIRONMENTAL SPECIFICATIONS:  
 AMBIENT TEMPERATURE: -20°C TO +85°C  
 HUMIDITY: MAX 85%  
 SALT SPRAY: NO REMAKABLE RUST IN METAL PARTS. (5%SALT / 35°C 24HRS)  
 SHOCK: NO MECHANICAL DEFECT OR DAMAGE. (100g / 10MSEC/ X,Y,Z 3 TIMES)  
 VIBRATION: NO MECHANICAL DEFECT OR DAMAGE. (10-55Hz /1.5mm/ X,Y,Z 2HRS)

16.5	23.5	2	PRASD5-16F-BB0KW	1-1571079-6
16.5	23.5	2	PRASD4-16F-BB0GW	1-1571079-5
16.5	23.5	2	PRASD4-16F-BB0FW	1-1571079-4
16.5	23.5	2	PRASD4-16F-BB000	1-1571079-3
13.8	20.9	1	PRASD2-16F-BB0EW	1-1571079-2
13.8	20.9	1	PRASD2-16F-BB0DW	1-1571079-1
13.8	20.9	1	PRASD2-16F-BB000	1-1571079-0
16.5	23.5	2	PRASD3-16F-BB0GW	1571079-9
16.5	23.5	2	PRASD3-16F-BB0FW	1571079-8
16.5	23.5	2	PRASD3-16F-BB000	1571079-7
13.8	20.9	1	PRASD1-16F-BB0EW	1571079-6
13.8	20.9	1	PRASD1-16F-BB0DW	1571079-5
13.8	20.9	1	PRASD1-16F-BB000	1571079-4
B	A	SHEET REF.	ALCOSWITCH PART NUMBER	PART NUMBER

THIS DRAWING IS A CONTROLLED DOCUMENT. DWN M.BINNER 25FEB2002  
 CHK J.MOSIER  
 APVD -  
 DIMENSIONS: mm TOLERANCES UNLESS OTHERWISE SPECIFIED:  
 0 PLC ± -  
 1 PLC ± 0.30  
 2 PLC ± 0.05  
 3 PLC ± -  
 4 PLC ± -  
 ANGLES ± -  
 FINISH ± -  
 MATERIAL -  
 WEIGHT -  
 CUSTOMER DRAWING  
 PRODUCT SPEC NOT APPLICABLE  
 APPLICATION SPEC NOT APPLICABLE  
 NAME POWER ROCKER SWITCH, 13.0mm X 19.2mm PANEL CUT-OUT SIZE, SINGLE POLE, DOUBLE-THROW, THREE TERMINALS, NON-ILLUMINATED  
 SIZE A2 CAGE CODE 00779 DRAWING NO. 1571079 RESTRICTED TO -  
 SCALE 3:1 SHEET 3 OF 3 REV L1