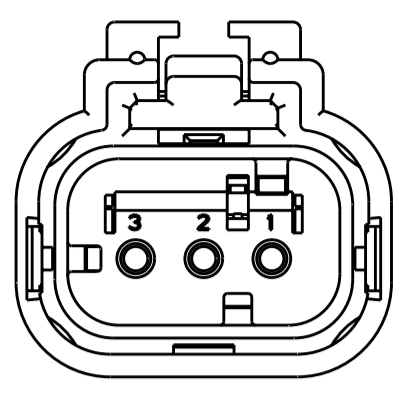
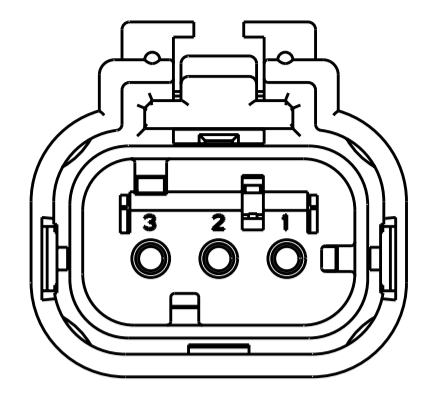


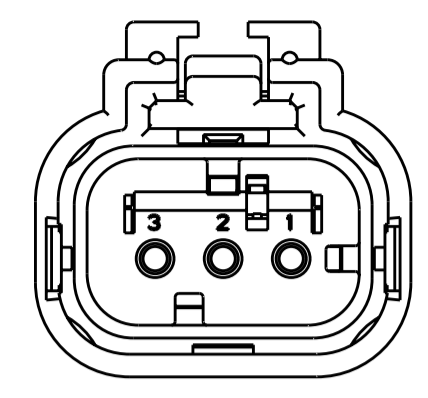
LOC	DIST	REVISIONS			
P	LTR	DESCRIPTION	DATE	DWN	APVD
GE	00				
	E2	REVISED PER ECO-11-005030	11MAR2011	RK	HMR



776429-2  
SCALE 2:1  
KEY B

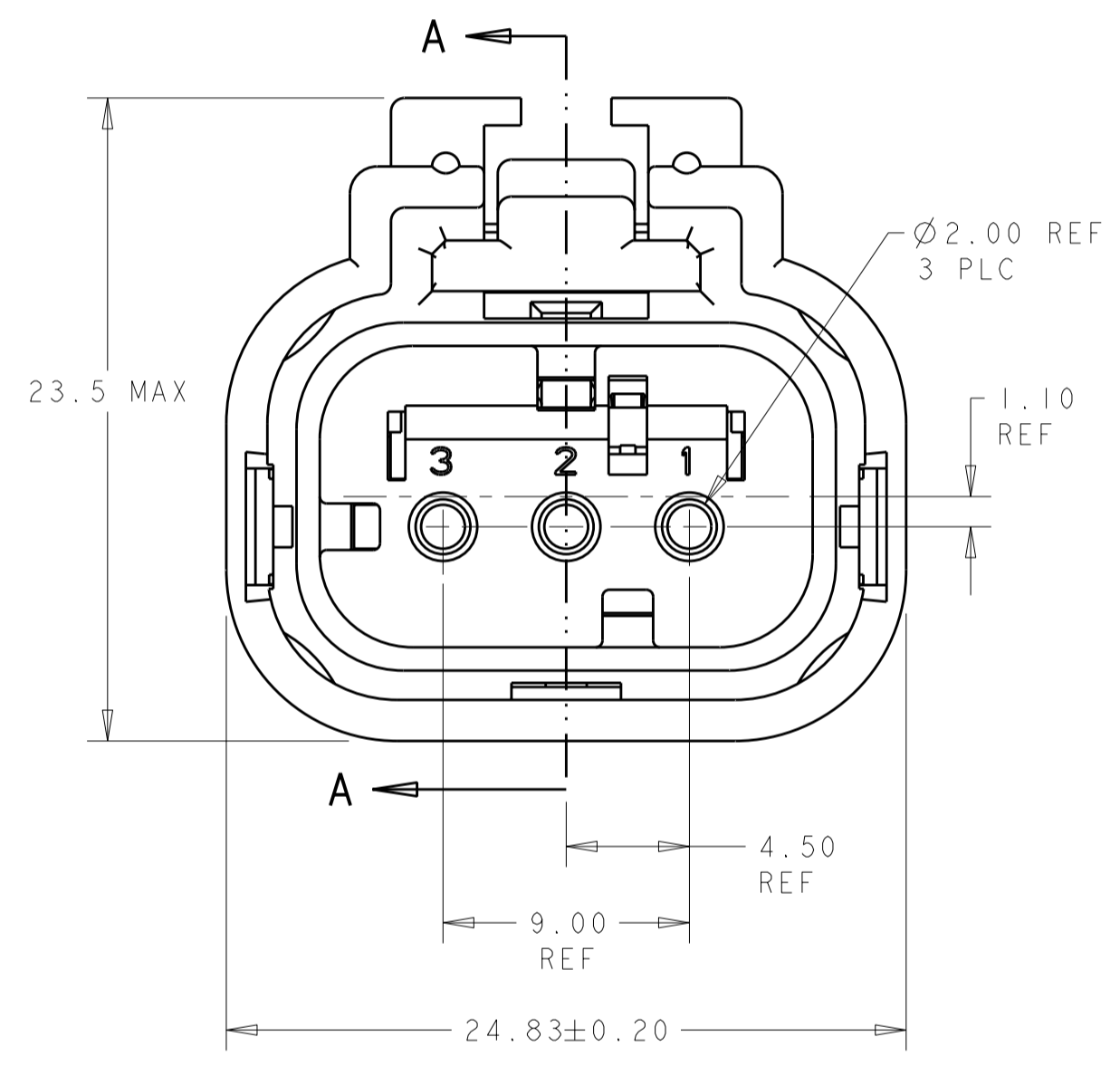


776429-3  
SCALE 2:1  
KEY C

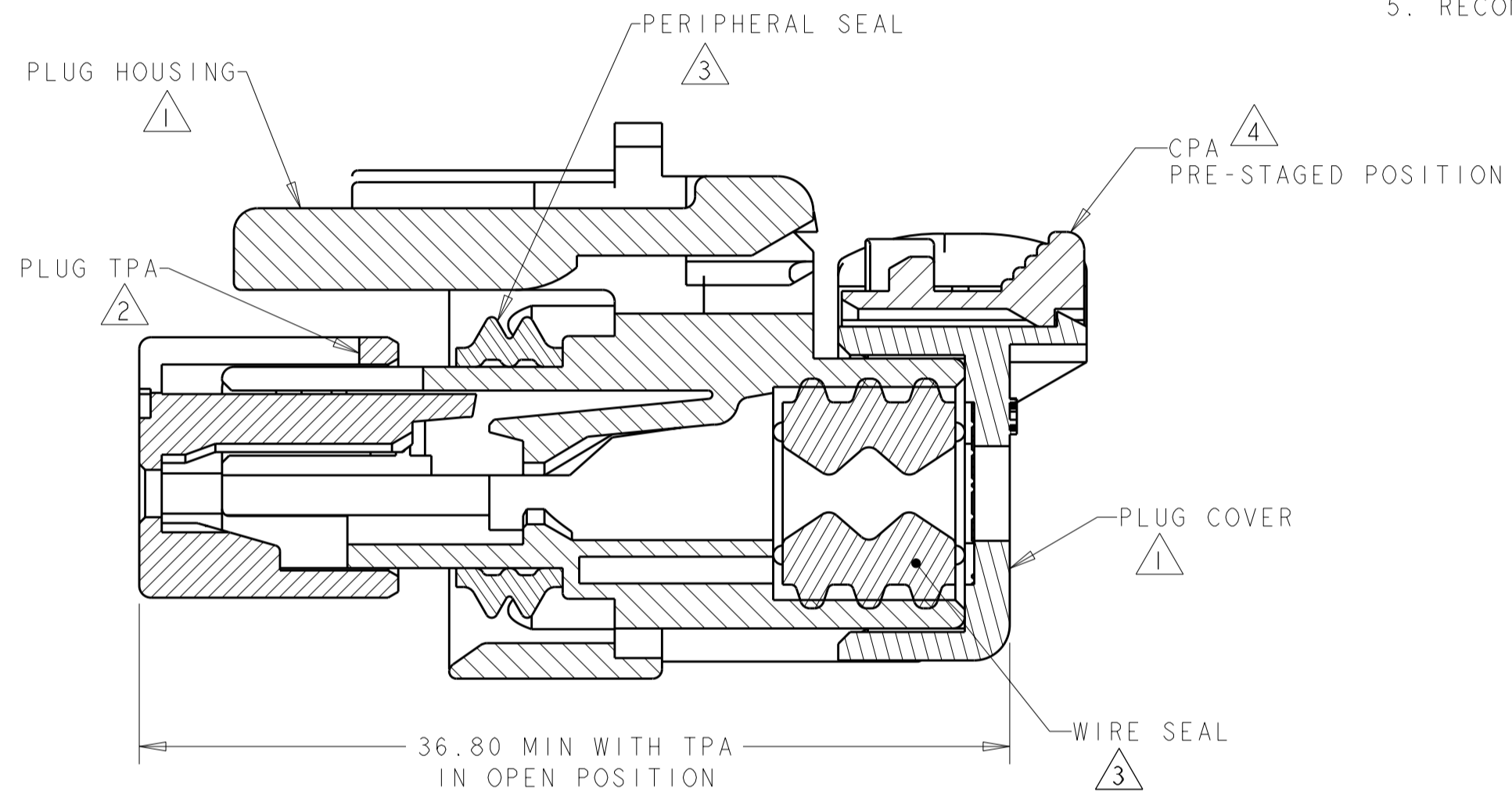


776429-4  
SCALE 2:1  
KEY D

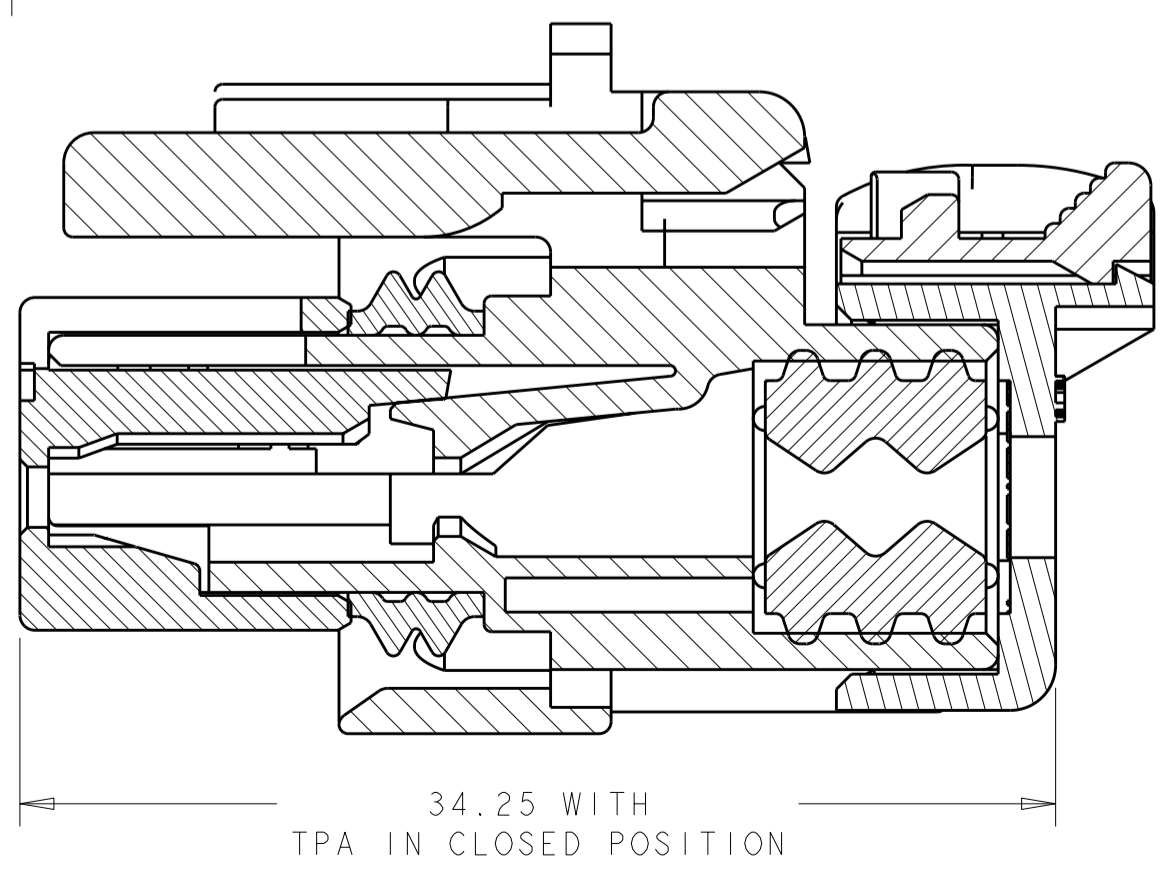
- 1 MATERIAL: 15% GLASS FILLED THERMOPLASTIC  
COLOR: BLACK
  - 2 MATERIAL: 15% GLASS FILLED THERMOPLASTIC  
COLOR: (SEE TABLE)
  - 3 MATERIAL: SILICONE  
COLOR: YELLOW
  - 4 MATERIAL: 15% GLASS FILLED THERMOPLASTIC  
COLOR: RED
5. RECOMMENDED WIRE DIAMETER RANGE IS 2.18 TO 3.67mm.



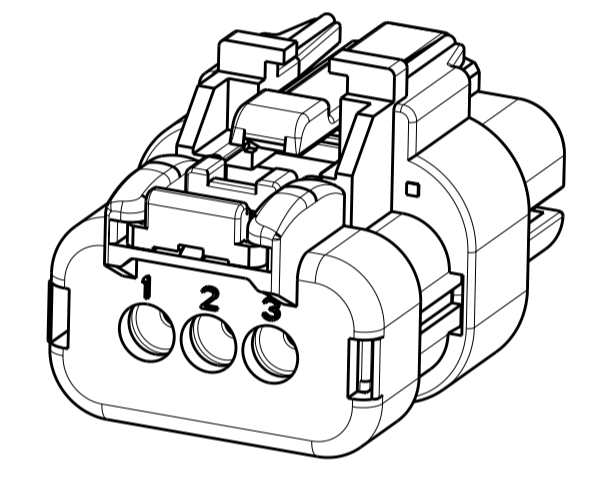
776429-1 SHOWN  
KEY A



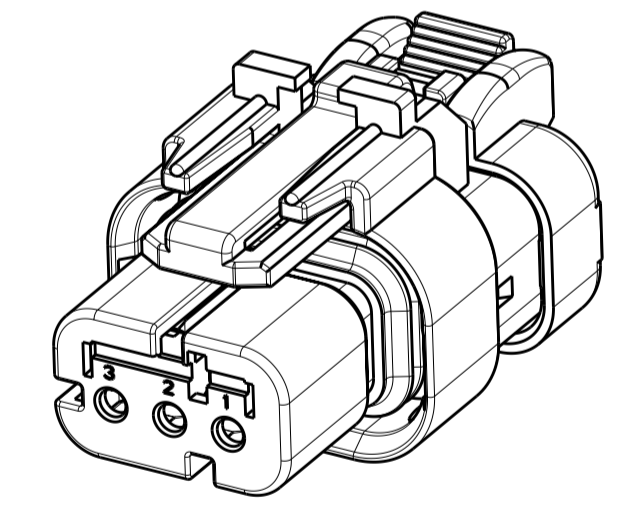
SECTION A-A



SECTION A-A



SCALE 2:1



SCALE 2:1

D	GREEN	776429-4
C	YELLOW	776429-3
B	GRAY	776429-2
A	RED	776429-1
KEY	TPA COLOR	PART NUMBER

THIS DRAWING IS A CONTROLLED DOCUMENT.		DWN AJ GRAFF 22FEB00	TE Connectivity	
DIMENSIONS: mm		CHK R. GREINER 11DEC01		
TOLERANCES UNLESS OTHERWISE SPECIFIED:		APVD M. TRULLI 11DEC01	NAME PLUG ASSEMBLY, 3 POSITION, SINGLE ROW AMPSEAL 16	
0 PLC ±		PRODUCT SPEC 108-2184	SIZE CAGE CODE DRAWING NO	
1 PLC ±		APPLICATION SPEC 114-13065	RESTRICTED TO	
2 PLC ±		WEIGHT 10±1g	A20779C-776429	
3 PLC ±		CUSTOMER DRAWING	SCALE 4:1 SHEET 1 OF 1 REV E2	
4 PLC ±				
ANGLES ±				
FINISH				