

4

3

2

1

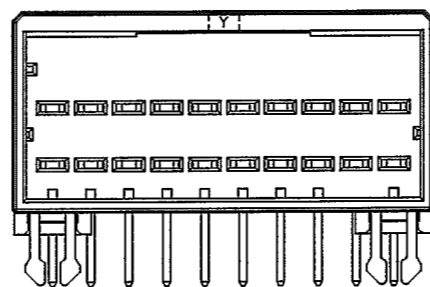
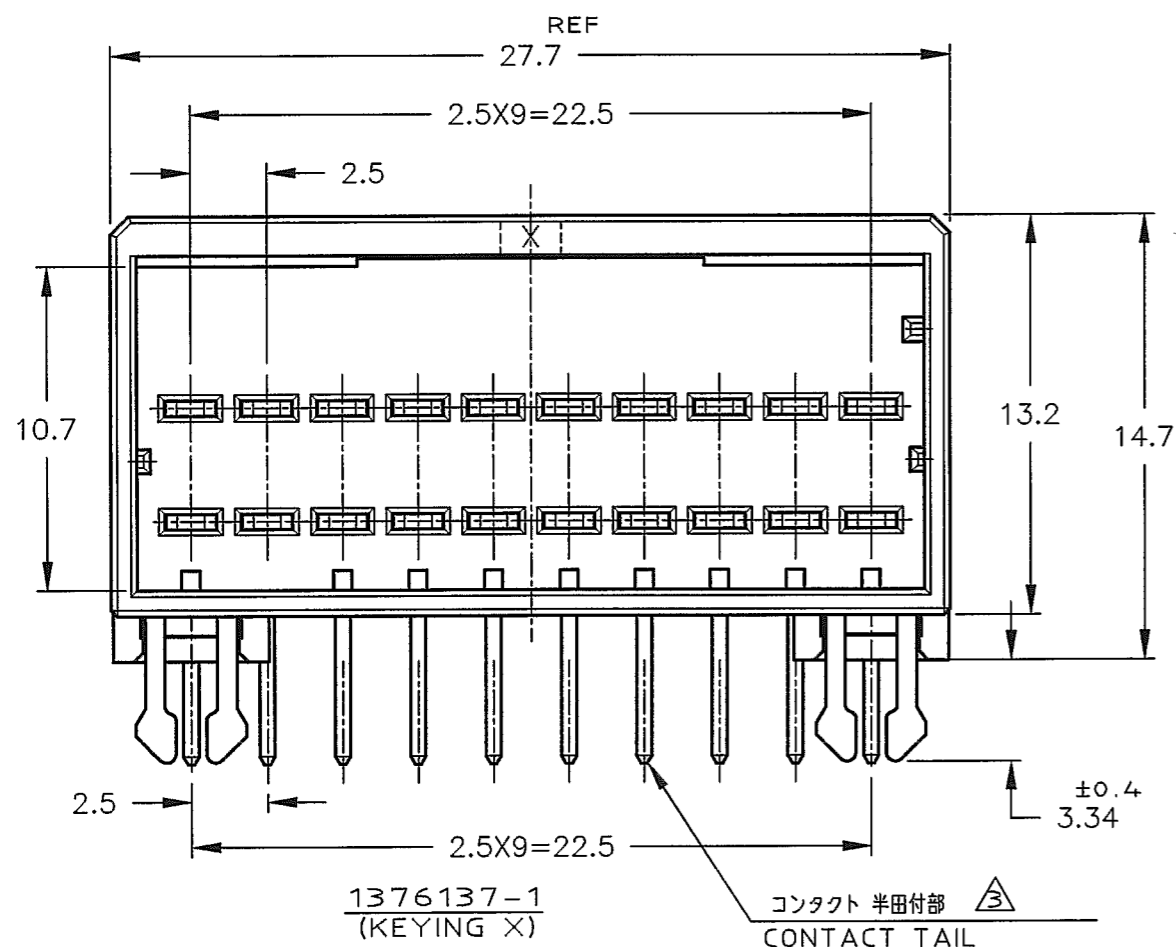
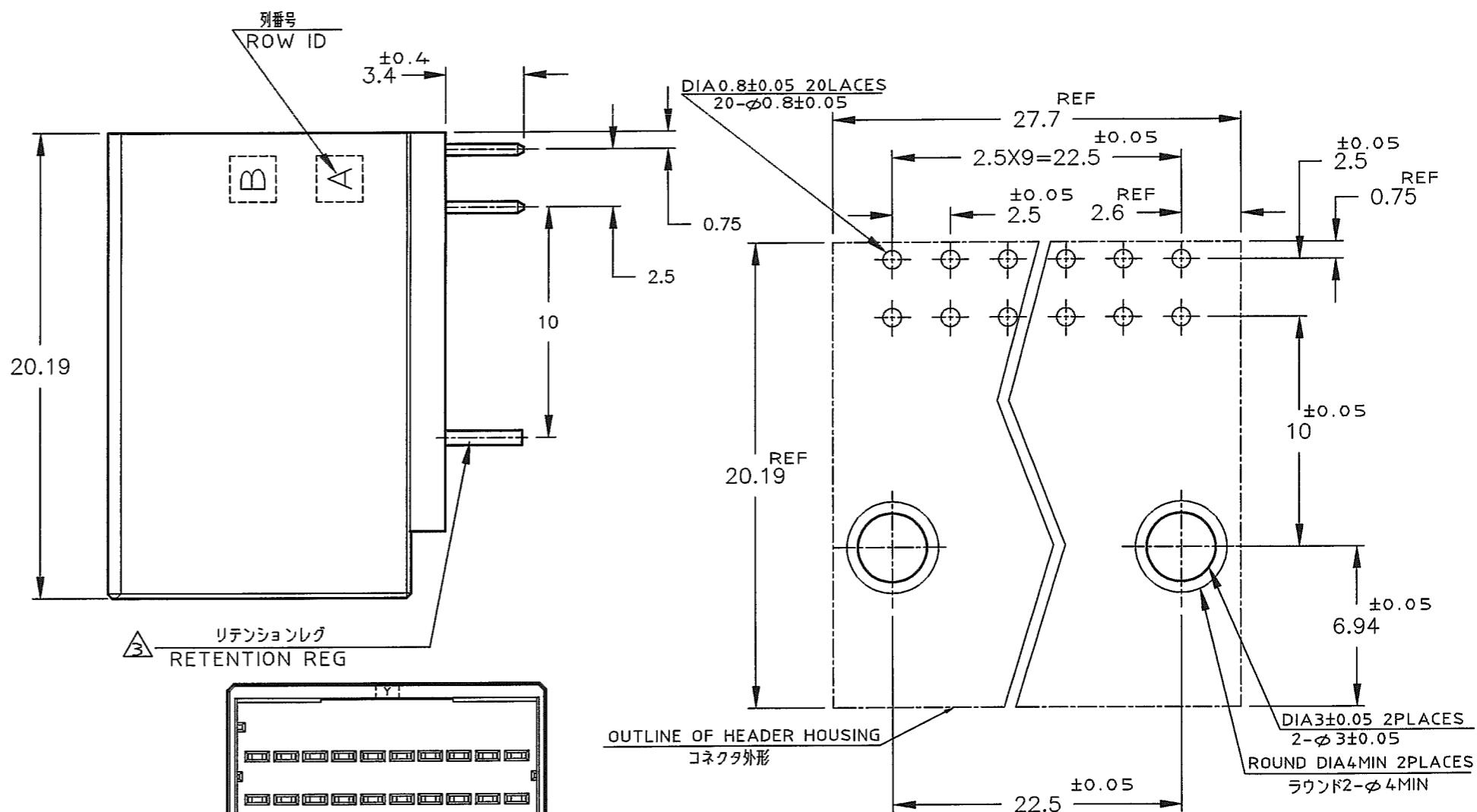
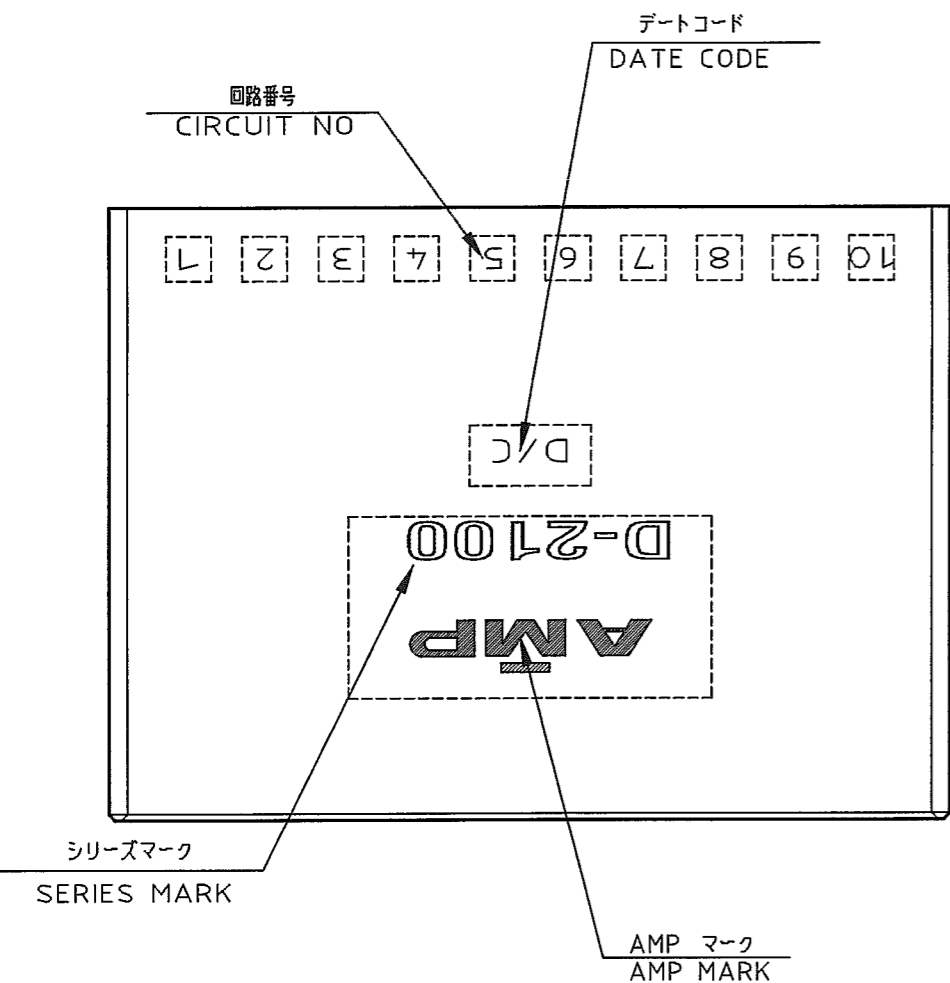
THIS DRAWING IS UNPUBLISHED.

RELEASED FOR PUBLICATION

© COPYRIGHT

ALL RIGHTS RESERVED.

LOC		DIST		REVISIONS			DATE	DWN	APVD
J		ZDI		P	LTR	DESCRIPTION			
				B1		REVISED PER ECO-11-005030	24MAR11	RK	HMR



NOTES

- MATERIAL: HOUSING: GLASS FILLED THERMO PLASTIC, POLYESTER(94V-0), COLOR: BLACK
TAB CONTACT: COPPER ALLOY
RETENTION LEG: BRASS
- FINISH (CONTACT AREA): 0.38μm MIN GOLD PLATING OVER Ni PLATING
- FINISH (RETENTION LEG): TIN PLATED (CONTACT TAIL) OVER NICKEL

RECOMENDED PC BOARD HOLE PATTERN (TOL: ±0.05)
PC BOARD THICKNESS: 1.6 ± 0.3
注記 (CONNECTOR MOUNT SIDE)

- 材料: ハウジング: ガラス入り熱可塑性ポリエステル樹脂 (94V-0), 色: 黒
タブコンタクト: 銅合金
リテンションレグ: 黄銅
- めっき: コンタクト: 全面Ni下地
接触部: 0.38μm MIN金めっき
- めっき: リテンションレグとコンタクト半田付部
: ニッケル下地の上にスズめっき

DWN K. IKEDA 24/FEB/'00			
CHK Y. KATO 28/FEB/'00			
APVD I. HASEGAWA 28/FEB/'00		NAME 2列 ヘッダーアセンブリー 20P	
PRODUCT SPEC 108-5619		DOUBLE ROW HEADER ASS'Y 20P ("H" TYPE)	
APPLICATION SPEC 114-5258		<DYNAMIC D-2100D>	
WEIGHT 7.1		SIZE A3	CAGE CODE 00779
MATERIAL 注記参照 SEE NOTES		DRAWING NO C-1376137	
FINISH 注記参照 SEE NOTES		RESTRICTED TO -	
CUSTOMER DRAWING		SCALE 4-1	SHEET 1 OF 1
		REV B1	