

The upper photographs show, with the acceptance of this drawing, the application to manufacture the component in accordance with the drawing in reproducible form. The lower photographs show, with the acceptance of this drawing, the application to manufacture the component in accordance with the drawing in reproducible form. The upper photographs show, with the acceptance of this drawing, the application to manufacture the component in accordance with the drawing in reproducible form. The lower photographs show, with the acceptance of this drawing, the application to manufacture the component in accordance with the drawing in reproducible form.

Technische Daten/  
technical data : Akkupack/  
battery pack

Chemie/  
chemistry : Lithium Ion

Zellenzahl/  
no. of cells : 3 Zellen/ cells ; 1S3P

Zellentyp/  
cell type : INR18650 LGC MJI

Kapazität/  
capacity : nom. 10500mAh discharge at 0.2C  
min. 10050mAh discharge at 0.2C  
to 20°C; EV(Discharge End Voltage): 2.5V per cell

Innenwiderstand/  
impedance : < 100mOhm (battery and safetyboard)

Nominalspannung/  
nominal voltage : 3.635V

Standard Ladespannung/  
standard charge voltage : 4.2V±1%

Standard Entladespannung/  
standard discharge voltage : 2.5V

Nominaler Ladestrom/  
nominal charge current : 3000mA (limited by safetyboard)

Maximaler Ladestrom/  
maximum charge current : 3000mA (limited by safetyboard)

Ladeendstrom/  
charge end current : 0.01C recommended

Maximaler Entladestrom/  
maximum discharge current : 3000mA (limited by safetyboard)

Anwendungstemperaturbereich/  
ambient temperature range : 0°C...+45°C charge  
-20°C...+60°C discharge  
-20°C...+30°C storage max. 1 year  
-20°C...+45°C storage max. 3months

Selbstentladung/  
self discharge : ≤ 5% / month at 20°C  
≤ 10% / month at 30°C  
≤ 20% / month at 40°C

Standards/ : UN 3480, Subsection 38.3  
All cells and battery packs type tested according to UN manual of test and criteria subsection 38.3

Technische Daten/  
technical data : Sicherheitsschaltung/  
safety board (0180-3202)

Überladeschutzspannung/  
over charge voltage detection : 4.325V±0.05V per cell

Wiedereinschaltspannung/  
over charge release voltage : 4.075V±0.1V per cell

Entladeabschaltspannung/  
over discharge detection voltage : 2.5V±0.1V per cell

Wiedereinschaltspannung/  
over discharge release voltage : 2.9V±0.1V per cell

Nominaler Lade/Entladestrom/  
nominal operating current : 3A

Entlade Abschaltstrom/  
discharge cut off current : 8.5A± 2A

Kurzschlusschutz/  
short circuit protection : gegen äußeren Kurzschluss/  
against external short circuit

Temperaturschalter/  
temperature switch : PTC : JK-P450 20V/4.5A at 25°C; 3.9A at 40°C

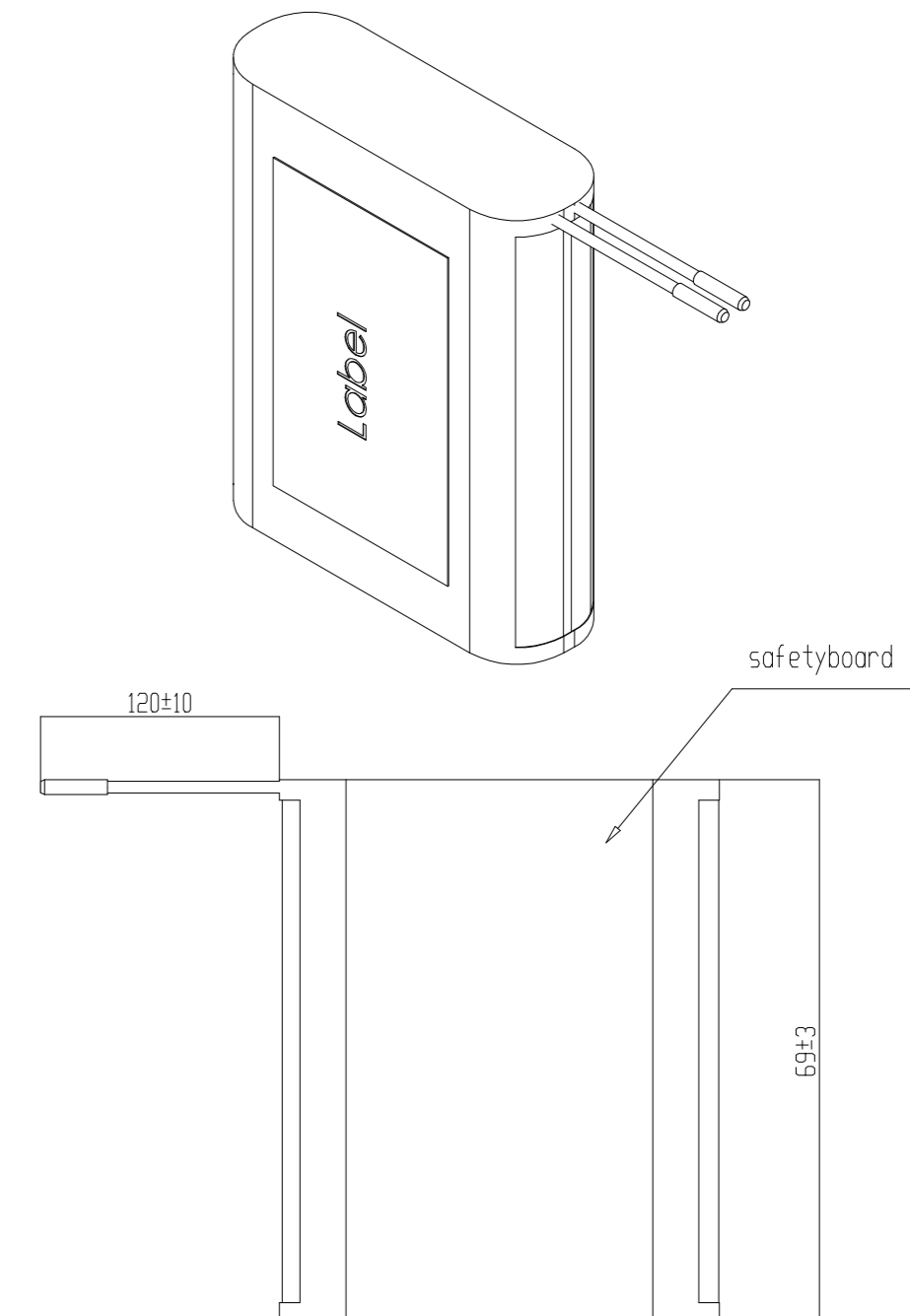
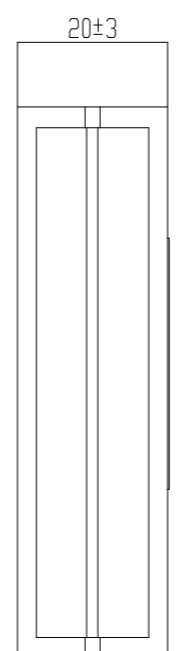
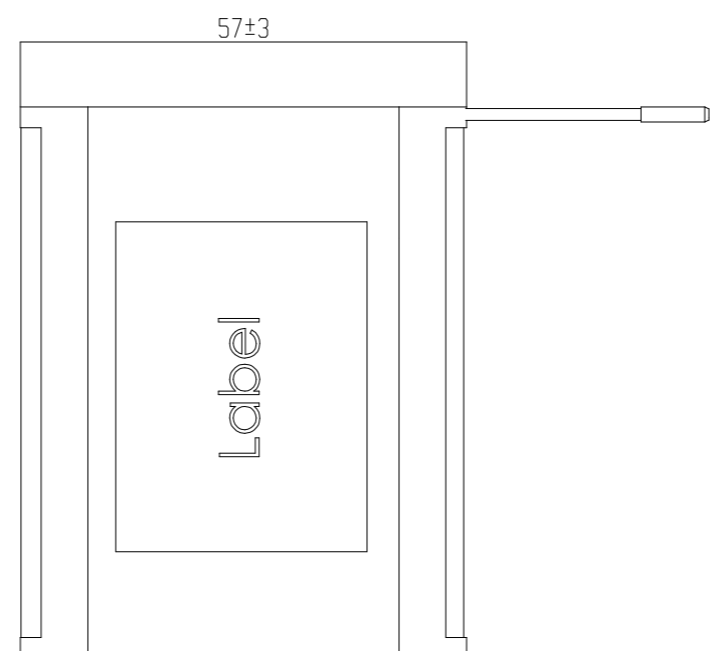
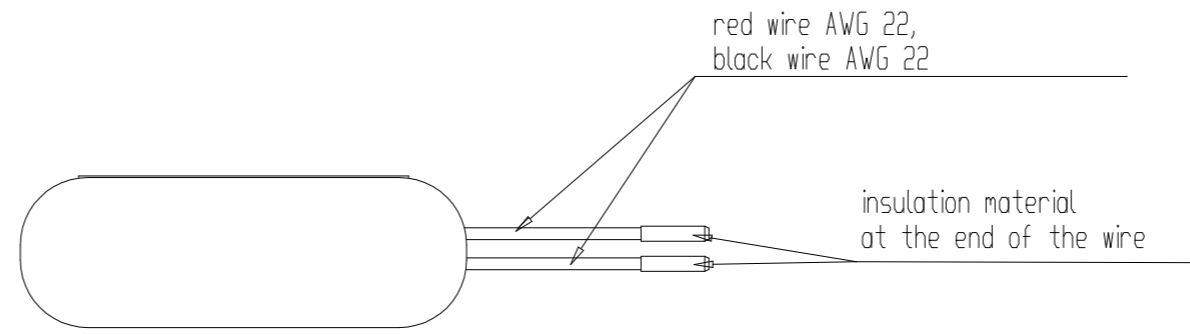
MOSFET : in Masse  
in Gnd

Rückstellkriterium/  
release condition : Last trennen, Aktiv nach Anladen/  
cut load, release after charging up

Leiterplattenmaterial/  
pcb material : FR4

Nettogewicht/  
net weight : 148.4g

Standards : CE



battery pack covered with 2 layers of blue shrinktube

Part Number	SAP Description
2447-3034-20	Li-Ion-3.63V-10500mAh-1S3P-PTC/LG
2447-3034-220	Li-Ion-3.63V-10500mAh-1S3P-PTC/UK

Application range for inquiry	Allowable deviation general tolerances	Tolerance principle:	Model:	Material:	Weight:
	DIN ISO 2768-m	ISO 8015	Scale (DIN A2): 1:1	All dimensions in mm	
	2016	Date	Name	Drawing name	
V5	change request: DE-20-5013	17.02.20	MST	Li-Ion-3.63V-10500mAh.1S3P-PTC/LG with safetyboard	
V4	part number overview added	15.04.19	DS	Drawing number	
V3	dimensions changed	13.04.18	DS	Part number	
V2	cable length changed	16.01.18	DS	2447-3034-X20	
V1	change request DE-17-0071	14.11.17	DS	Sheet 1/1	
V0	created this D/S	07.11.16	JX	Replaced by:	
Version	Change	Date	Name	Project: IS-2016-01263	Replacement through:

