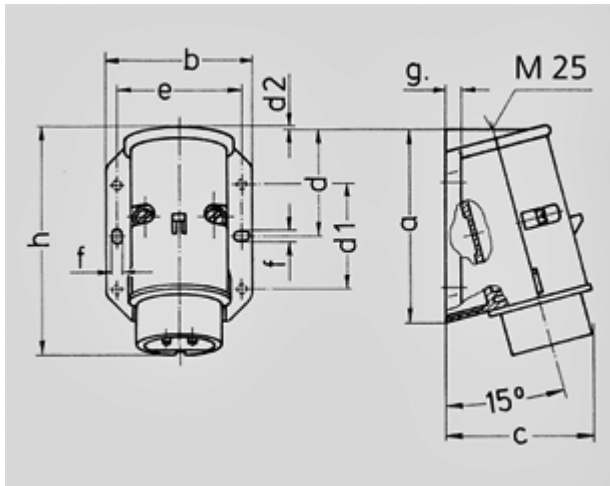


Wall mounted inlet - Part no. 1955


- screw terminals
- external fixing
- one cable entry at top and one blind cable entry (can be cut out) at the back side

Protection type	IP 44
Ampere	16 A
Poles	2p
Voltage	20-25
Hertz	50-60Hz
Earth position	0h
Contact	standard
Connection technology	Screw terminals

Std. Pack. 10 Qty.



Drawing	Amp.	16		32	
		2	3	2	3
2 MB 160	Poles				
Dim. in mm	a	96	96	96	96
	b	73	73	73	73
	c	74	74	74	74
	d	53	53	53	53
	d1	52	52	52	52
	d2	2	2	2	2
	e	62	62	62	62
	f	5,3	5,3	5,3	5,3
	g.	8	8	8	8
	h	116	116	116	116
Terminal for cond. cross section (mm ²) min.-max.		4	4	4	4
		-10	-10	-10	-10