

Distributor - SAC-ASI-J-Y-B-PUR-2,0-FS SCO



1407576

<https://www.phoenixcontact.com/gb/products/1407576>

Please be informed that the data shown in this PDF document is generated from our Online Catalog. Please find the complete data in the user documentation. Our General Terms of Use for Downloads are valid.



AS-Interface distributor with a high degree of protection, for a branch from two flat-ribbon conductors to a 2.0 m PUR round cable with straight M12-SPEEDCON socket

Commercial Data

Item number	1407576
Packing unit	1 pc
Minimum order quantity	1 pc
Sales Key	BF1GFA
Product Key	BF1GFA
Catalog Page	Page 439 (C-2-2019)
GTIN	4046356779968
Weight per Piece (including packing)	105.3 g
Weight per Piece (excluding packing)	105.3 g
Customs tariff number	85444290
Country of origin	VN

1407576

<https://www.phoenixcontact.com/gb/products/1407576>

Technical Data

Product properties

Product type	Network distributor box
Number of positions	4
Coding	A - standard

Insulation characteristics

Overvoltage category	II
Degree of pollution	3

Electrical properties

Nominal voltage U_N	≤ 32 V DC
Nominal current I_N	4 A
Transmission medium	Copper

Connection data

Connection technology

Connection method	AS-i penetration technique
-------------------	----------------------------

Pin assignment

Contact Color (signal designation) Contact (optional)	1 (M12 socket) BN (AS-i+) 3.1 (AS-i distributors)
	2 (M12 socket) WH (AUX-) 4.2 (AS-i distributors)
	3 (M12 socket) BU (AS-i-) 3.2 (AS-i distributors)
	4 (M12 socket) BK (AUX+) 4.1 (AS-i distributors)
	5 (M12 socket) N.C.

Interfaces

Bus system	AS-Interface
------------	--------------

LED signaling

Status display	No
Status display present	No

Material specifications

Color	black
-------	-------

Connector

Header 1

Type	Load center lateral AS-i Screw locking
Number of positions	4
Material	CuSn (Contact)
	Ni/Au (Contact surface)
	PBT (Contact carriers)

1407576

<https://www.phoenixcontact.com/gb/products/1407576>

	PBT (Housing)
	Stainless steel (Screw connection)
Tightening torque	1.65 Nm (Locking screw)

Head 2

Type	Socket straight M12 SPEEDCON
Number of positions	4 (5)
Material	CuSn (Contact)
	Ni/Au (Contact surface)
	TPU GF (Contact carriers)
	TPU (Grip)
	Zinc die-cast, nickel-plated (Screw connection)
Insertion/withdrawal cycles	≥ 100
Tightening torque	0.4 Nm

Cable / line

Cable length	2 m
UL AWM Style	20549 / 10493
Number of positions	4
Shielded	no
Cable type	PUR halogen-free black [PUR]
Conductor structure signal line	42x 0.10 mm
AWG signal line	22
Conductor cross section	4x 0.34 mm ² (Signal line)
Wire diameter incl. insulation	1.25 mm ±0.05 mm
External cable diameter	4.3 mm ±0.2 mm
Outer sheath, material	PUR
External sheath, color	black
Conductor material	Bare Cu litz wires
Material wire insulation	PP
Single wire, color	brown, white, blue, black
Overall twist	4 wires, twisted
Ambient temperature (operation)	-40 °C ... 80 °C (fixed routing)
	-25 °C ... 80 °C (Flexibly installed)

Ambient conditions

Ambient temperature (operation)	-25 °C ... 80 °C (Cable, flexible installation)
	-40 °C ... 80 °C (cable, fixed installation)

Environmental and real-life conditions

Ambient conditions

Degree of protection	IP65
	IP67
Ambient temperature (operation)	-25 °C ... 75 °C
	-25 °C ... 80 °C (Cable, flexible installation)

Distributor - SAC-ASI-J-Y-B-PUR-2,0-FS SCO



1407576

<https://www.phoenixcontact.com/gb/products/1407576>

	-40 °C ... 80 °C (cable, fixed installation)
Ambient temperature (storage/transport)	-25 °C ... 85 °C

Standards and regulations

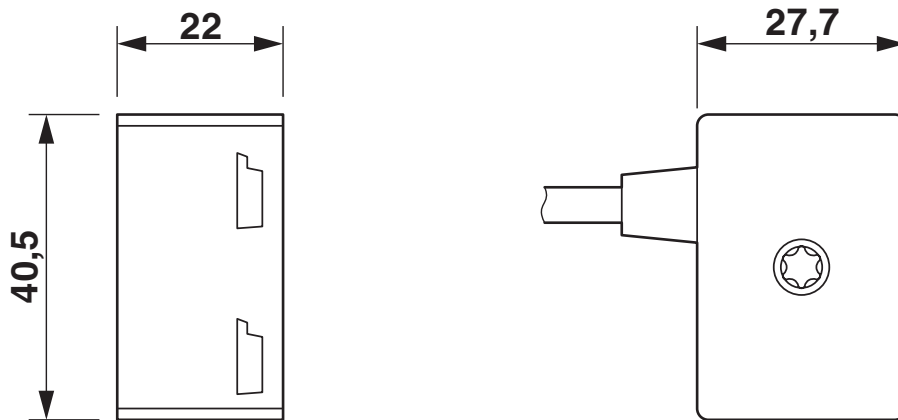
Standards/specifications	IEC 61076-2-101
--------------------------	-----------------

1407576

<https://www.phoenixcontact.com/gb/products/1407576>

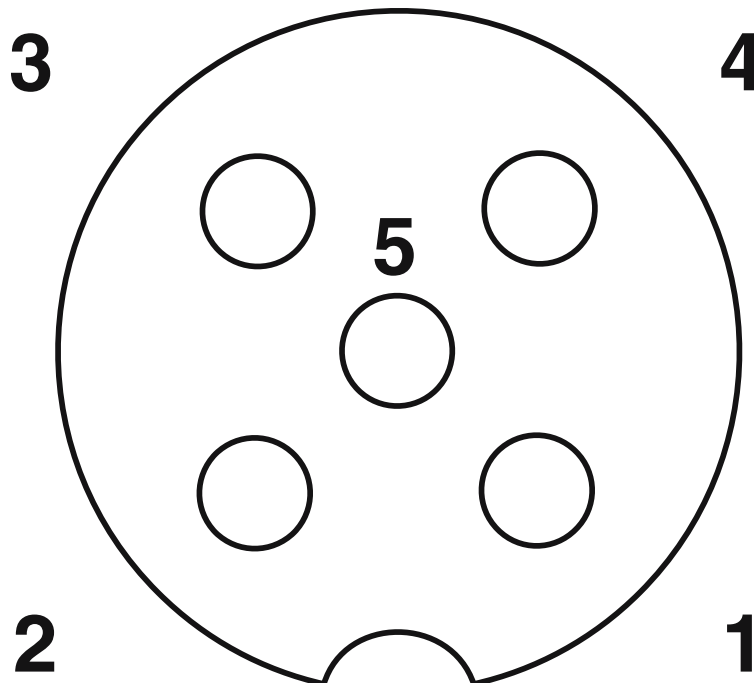
Drawings

Dimensional drawing



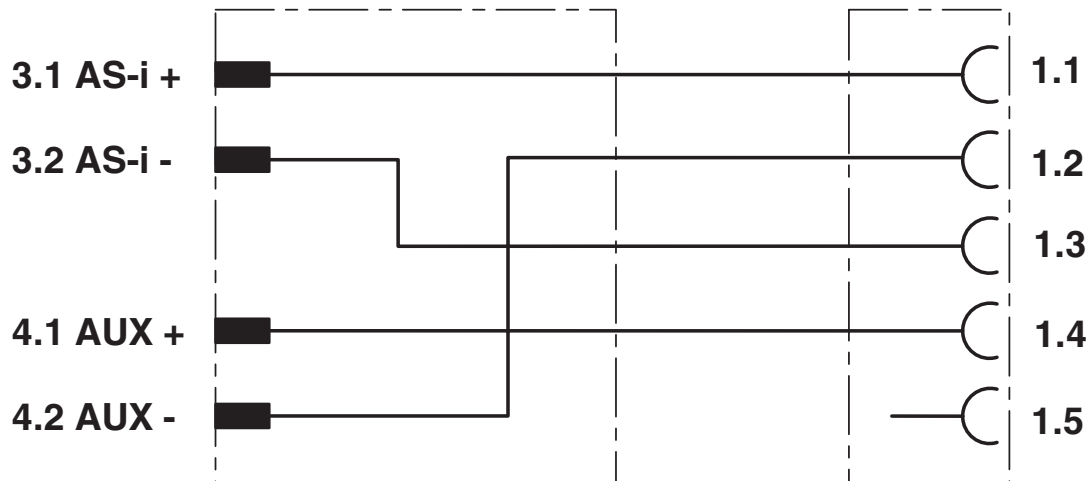
Distributor, AS-Interface

Schematic diagram



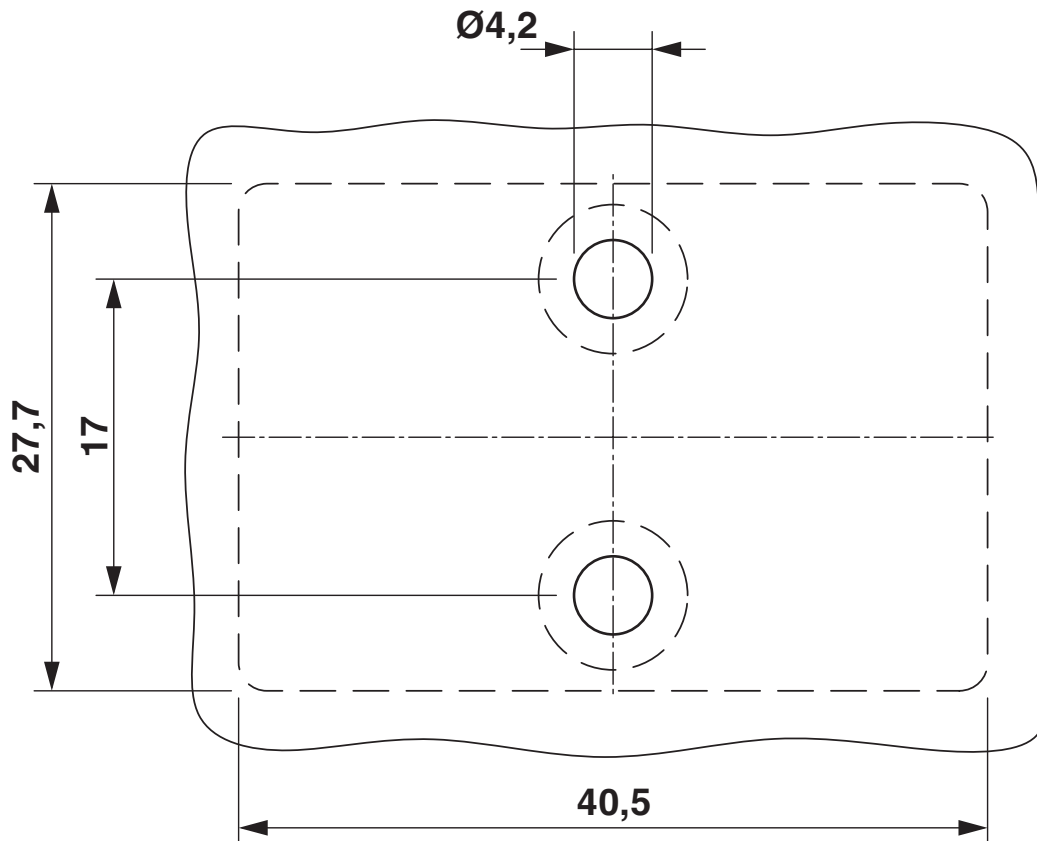
Pin assignment M12, PIN 1: AS-i +, PIN 2: AUX -, PIN 3: AS-i -, PIN 4: AUX +, PIN 5: Not used

Circuit diagram



Contact assignment of the AS-Interface distributor

Dimensional drawing



Distance and position of the mounting holes

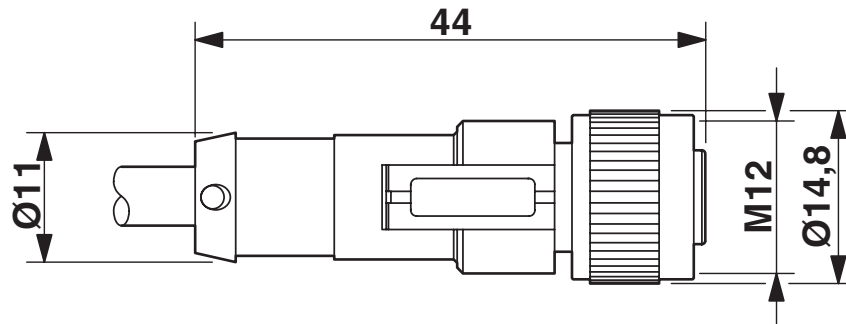
Distributor - SAC-ASI-J-Y-B-PUR-2,0-FS SCO



1407576

<https://www.phoenixcontact.com/gb/products/1407576>

Dimensional drawing



M12 x 1 socket, straight

1407576

<https://www.phoenixcontact.com/gb/products/1407576>

Classifications

ECLASS

ECLASS-9.0	27440106
ECLASS-10.0.1	27440106
ECLASS-11.0	27440106
ECLASS-12.0	27440106

ETIM

ETIM 8.0	EC002925
----------	----------

UNSPSC

UNSPSC 21.0	31251500
-------------	----------

1407576

<https://www.phoenixcontact.com/gb/products/1407576>

Environmental Product Compliance

REACH SVHC	Lead 7439-92-1
China RoHS	Environmentally Friendly Use Period = 50 years
	For information on hazardous substances, refer to the manufacturer's declaration available under "Downloads"

1407576

<https://www.phoenixcontact.com/gb/products/1407576>

Accessories

Screw plug

Screw plug - PROT-MS SCO - 1553129

<https://www.phoenixcontact.com/gb/products/1553129>



M12 screw plug with fast-locking system for unoccupied M12 female connectors of sensor/actuator cables, boxes, and flush-type connectors

Screwdriver

Screwdriver - SZK PH2 VDE - 1205163

<https://www.phoenixcontact.com/gb/products/1205163>



Screwdriver, PH crosshead, VDE insulated, size: PH 2 x 100 mm, 2-component grip, with non-slip grip

Distributor - SAC-ASI-J-Y-B-PUR-2,0-FS SCO



1407576

<https://www.phoenixcontact.com/gb/products/1407576>

Torque screwdriver

Torque screwdriver - TSD 04 SAC - 1208429

<https://www.phoenixcontact.com/gb/products/1208429>



Torque screwdriver, with preset torque of 0.4 Nm and 4 mm hexagonal drive for M12 connectors

Tool

Tool - SAC BIT M12-D15 - 1208432

<https://www.phoenixcontact.com/gb/products/1208432>



Nut for assembling sensor/actuator cables with M12 connector and M12 connectors for assembly, with a knurl diameter of 15 mm, for 4 mm hexagonal drive

Phoenix Contact 2022 © - all rights reserved

<https://www.phoenixcontact.com>

PHOENIX CONTACT Ltd

Halesfield 13, Telford

Shropshire, TF7 4PG

01952 681700

info@phoenixcontact.co.uk