



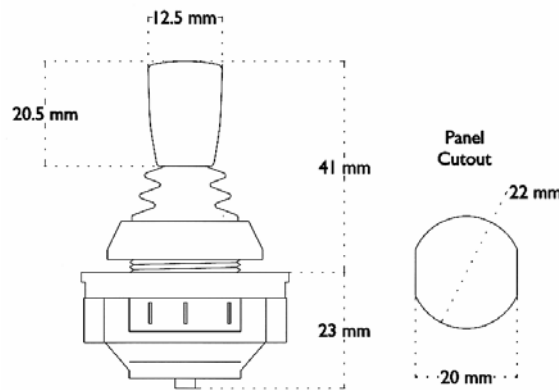
The **RS** switch joystick is the ideal choice for single step switching applications, where a compact, robust joystick is required that mounts via one central 22mm bush.

Fitted with a gaiter which seals the shaft, the joystick is also supplied with an adhesive PVC mounting gasket, which may be fitted between the joystick and the panel to deliver an overall IP65 seal.

The operating mode of the joystick is defined by the use of the supplied limiter plates. Selection of the required limiter will enable single axis, dual axes, cross or diagonal operation.

The joystick is supplied with industry standard V4 micro-switches, configured with changeover contacts carrying a nominal 5A/250V AV rating. All switches have gold flash terminals to ensure reliable switching at very low current levels.

### DIMENSIONS



### TECHNICAL SPECIFICATION

Switch type	V4
Number of switches	4
Nominal current	5 Amp
Maximum voltage	250V AC
Contacts	Changeover - gold
Termination	Solder
Contact life	Load dependent
Temperature range	-20 to +50C
Environmental	IP65 (above panel)
Mechanical life	>5 million cycles
Lever travel	+/- 12 degrees from centre. (nom)
Lever material	Stainless steel
Lever diameter	4mm nominal
Body material	Mineral filled nylon-6
Knob material	Nylon
Gaiter material	Santoprene
Mounting	22mm bush