

FROST THERMOSTAT

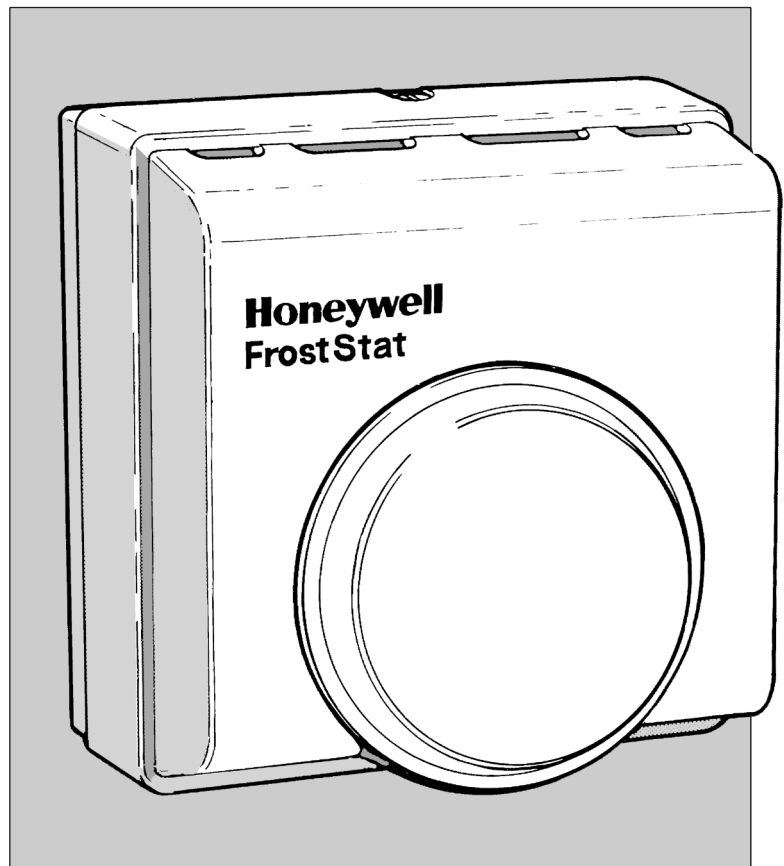
T4360

FEATURES

- Dual diaphragm temperature sensing element.
- Suitable for surface or switch box mounting.
- Double insulated.
- RFI suppression.
- Tamper resistant cover.
- Design suits any decor.

OPTIONS

- Frost Protection Kit.



APPLICATION

The T4360 is a mains voltage frost thermostat designed to give automatic frost protection to boilers and pipework, situated in risk areas, as well as to the fabric of the building.

Installation

The Frost Thermostat must be located in the coldest part of the house, but where it can respond to a rise in temperature as a result of switching on the boiler. If situated in an outhouse or garage, it is strongly recommended that a pipe thermostat should also be used to switch off the boiler when the return temperature reaches a predetermined level, unless the location will ensure that the T4360A will pick up a temperature rise. It must only be located inside a dwelling or outhouse, and not directly exposed to the weather. A frost thermostat should not be fitted outdoors.

The thermostat must be wired to override all other time and temperature controls and preferably to switch on the heating circuit, rather than the hot water circuit.

To ensure correct operation the thermostat should be mounted on a vibration free surface.

Ordering Specification

T4360A1009 Frost thermostat.

K42008628-001
Frost Protection Kit

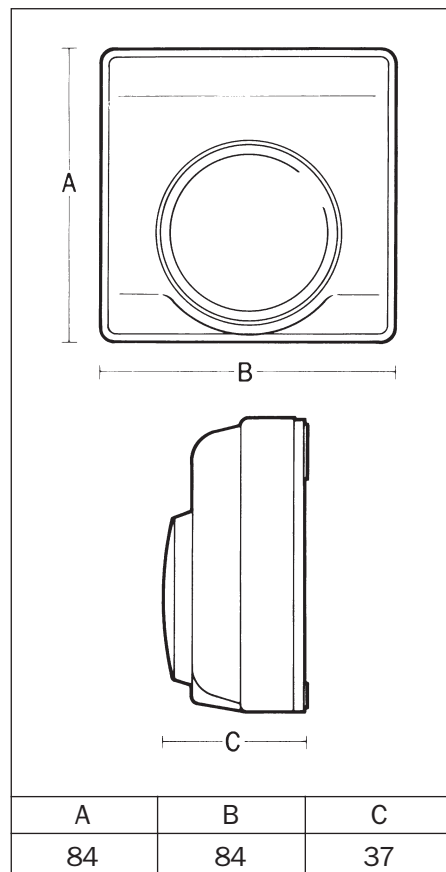
Consisting of:
1xT4360A1009 Frost Thermostat
1xL641B1004 Pipe Thermostat
Together with full installation instructions.



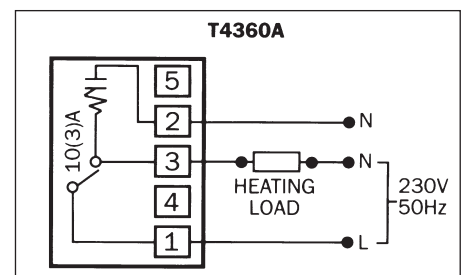
Specification

Voltage Rating	: 230V AC 50Hz
Switch Rating	: 10A resistive, 3A inductive
Switch Type	: Single pole, single throw (SPST)
Temperature Setting Range	: 3 to 20°C with blue arrow frost setting at 5°C
Standards	: Complies with BS EN60730-2-9
EC Directive	: Conforms to 89/336/EEC & 73/23/EEC

Dimensions (mm)



Wiring



N.B. Contact closes when temperature falls below the thermostat setting

Frost Protection Kit

