

Drawing Number	Development ONLY	Issue	PB
Part Number	Development ONLY		

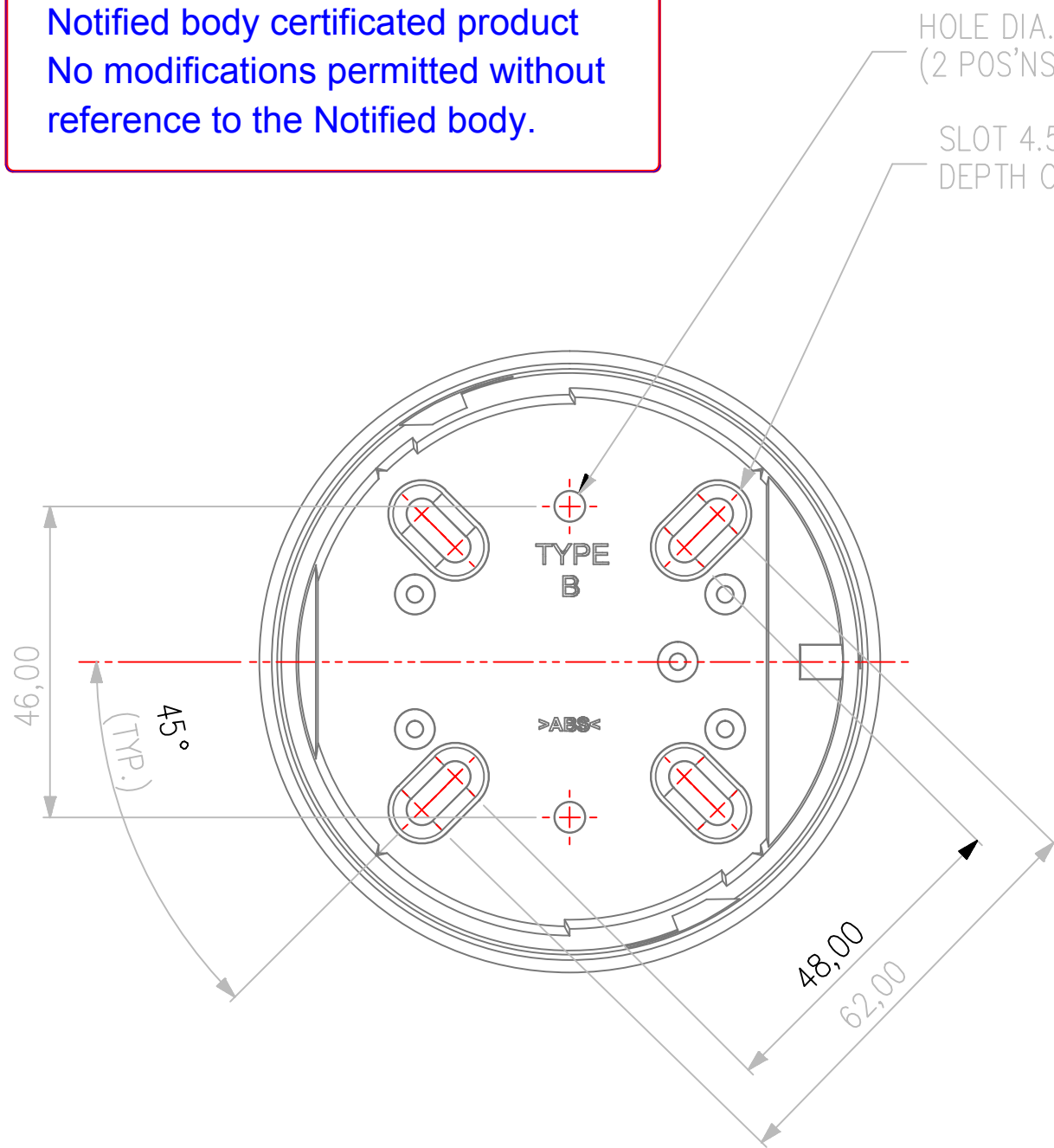
THE COPYRIGHT IN THIS DRG. IS THE PROPERTY OF **HOSIDEN BESSON** AND THE DRG. IS ISSUED ON CONDITION THAT IT IS NOT COPIED REPRINTED OR REPRODUCED NOR ITS CONTENTS DISCLOSED EITHER WHOLLY OR IN PART TO ANY THIRD PARTY WITHOUT CONSENT IN WRITING FROM HOSIDEN BESSON LTD.

PRODUCT TO CONFORM TO EU DIRECTIVES 2002/95/EC RESTRICTION OF HAZARDOUS SUBSTANCES (RoHS) AND DIRECTIVE 2002/96/EC WASTE ELECTRICAL AND ELECTRONIC EQUIPMENT AND BE MARKED ACCORDINGLY ON PRODUCT AND PAPERWORK.

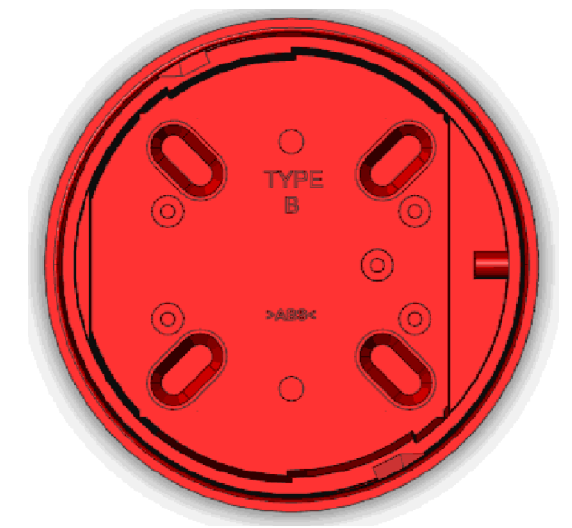
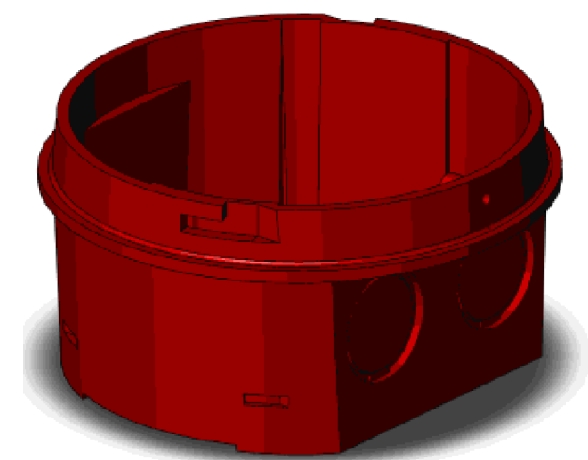
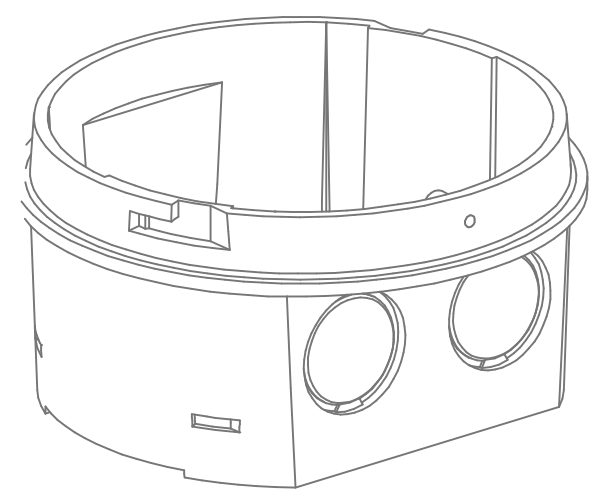
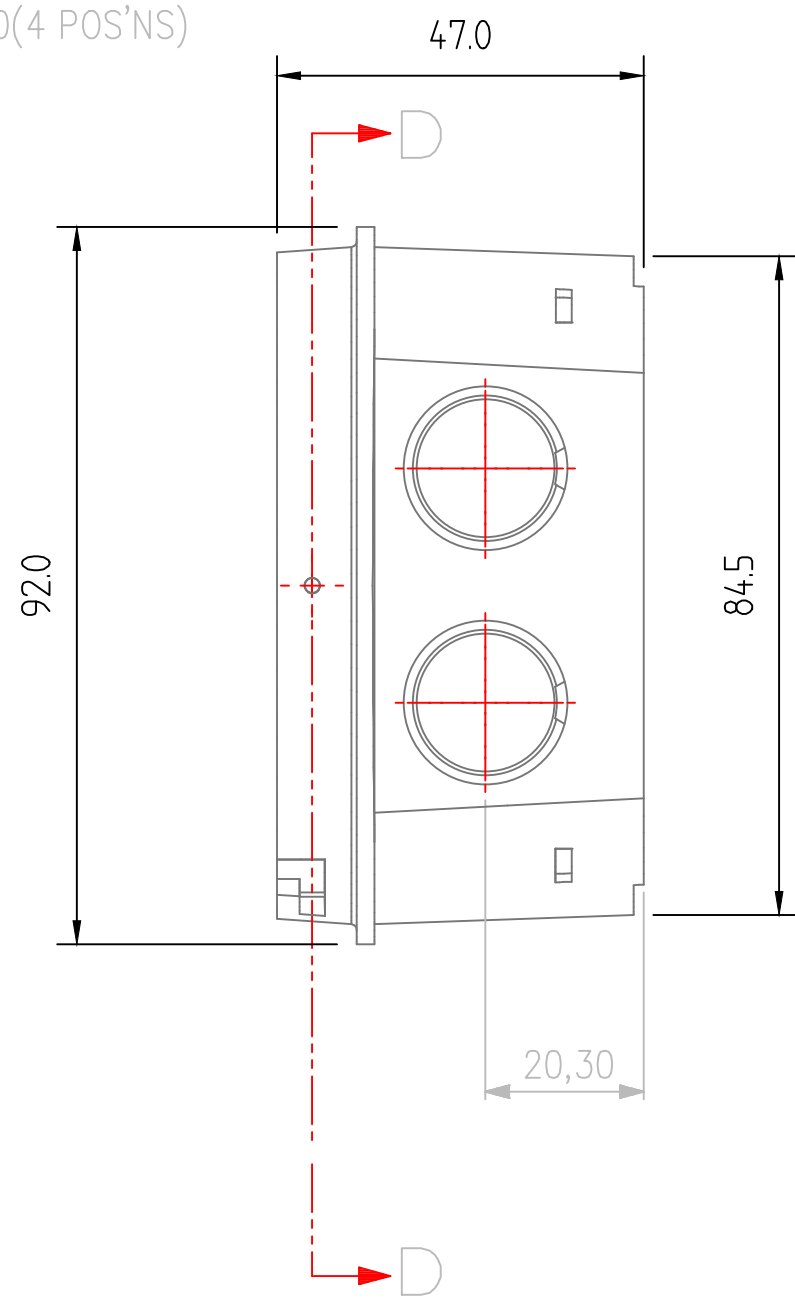
IF IN DOUBT - ASK

IF THIS DRAWING DOES NOT HAVE A RED STAMPED IDENTITY IT IS AN UNCONTROLLED COPY.

Notified body certificated product
No modifications permitted without reference to the Notified body.

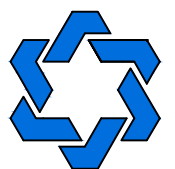


HOLE DIA. 4.50 X 1.90 DEEP (2 POS'NS)
SLOT 4.50 WIDE CSK TO DIA. 8.50 AT 90° DEPTH OF SLOT 3.90(4 POS'NS)



REMOVE BURRS & SHARP EDGES

PB				12/08/2011
ISS	Development ONLY		INIT	20/10/2009
Issue	Revision	Change Note	Init	Date



Hosiden Besson Ltd.

11 St. Joseph's Close, Hove, East Sussex BN3 7EZ, England
Tel: General (01273) 860000. International 44 1273 860000
Sales (01273) 861166. Fax: (01273) 777501.

MATERIAL : ABS RONFALIN VE-820
FINNISH : ALL FACES TO BE POLISHED
Based on drawing 85006B

ALL DIMENSIONS ARE IN MM
METRIC TOLERANCES UNSPECIFIED
±0.1 Dim to 2 dec places
±0.2 Dim to 1 dec place
±2° Angular

Drawn Andy Ault
Checked Development ONLY
Approved Development ONLY
SCALE 1:1
Zero Defects

MULTI-TONE SOUNDER DEEP BASE MOULDING
Development ONLY
Drawing Number ; Development ONLY
Issue PB A3