

Inline terminal - IB IL 24 PWR IN/2-F-D-PAC - 2862152

Please be informed that the data shown in this PDF Document is generated from our Online Catalog. Please find the complete data in the user's documentation. Our General Terms of Use for Downloads are valid (<http://phoenixcontact.com/download>)



Inline power terminal block, complete with accessories (connector and labeling field), 24 V DC, with fuse (Main and segment voltage) and diagnostics

The illustration shows the version IB IL 24 PWR IN/F-PAC

Product Features

- Supply of the 24 V main voltage UM
- Provision of the 24 V segment voltage US
- Protection of the segment circuit using an electronic fuse with short-circuit current limitation
- Diagnostic and status indicators



Key Commercial Data

Packing unit	1 pc
Weight per Piece (excluding packing)	84.7 g
Custom tariff number	85389091
Country of origin	Germany

Technical data

Note

Utilization restriction	EMC: class A product, see manufacturer's declaration in the download area
-------------------------	---

Dimensions

Width	12.2 mm
Height	119.8 mm
Depth	71.5 mm

Interfaces

Connection method	Inline data jumper
Interface	Inline local bus

Inline terminal - IB IL 24 PWR IN/2-F-D-PAC - 2862152

Technical data

Power supply

Communications power U_L	7.5 V DC (via voltage jumper)
Typical current consumption	30 mA
I/O voltage	24 V DC
I/O voltage range	19.2 V DC ... 30 V DC (including all tolerances, including ripple)
Max. current consumption	4 A
Fuse	SI 5 x 20 6, 300 AT (in scope of delivery)

General

Type of protection	Polarity protection, surge protection
Weight	44 g
Number of plugs	1

Inline potentials

Communications power U_L	7.5 V DC $\pm 5\%$ (via voltage jumper)
Current consumption from U_L	max. 25 mA
Main circuit supply U_M	24 V DC (nominal value)
Power supply at U_M	4 A (nominal value)
Segment supply voltage U_S	24 V DC
Power supply at U_S	4 A (nominal value)
Current consumption from U_{ANA}	0 A DC

Classifications

eCl@ss

eCl@ss 4.0	27250308
eCl@ss 4.1	27250304
eCl@ss 5.0	27250304
eCl@ss 5.1	27242610
eCl@ss 6.0	27242610
eCl@ss 7.0	27242610
eCl@ss 8.0	27242610

ETIM

ETIM 2.0	EC001433
ETIM 3.0	EC001600
ETIM 4.0	EC001600
ETIM 5.0	EC001600

Inline terminal - IB IL 24 PWR IN/2-F-D-PAC - 2862152

Classifications

UNSPSC

UNSPSC 6.01	43172015
UNSPSC 7.0901	43201404
UNSPSC 11	43172015
UNSPSC 12.01	43201404
UNSPSC 13.2	43201404

Approvals

Approvals

Approvals

UL Recognized / cUL Recognized / EAC / cULus Recognized

Ex Approvals

ATEX

Approvals submitted

Approval details

UL Recognized

cUL Recognized

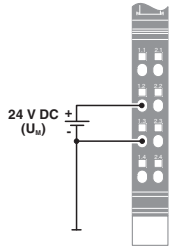
EAC

cULus Recognized

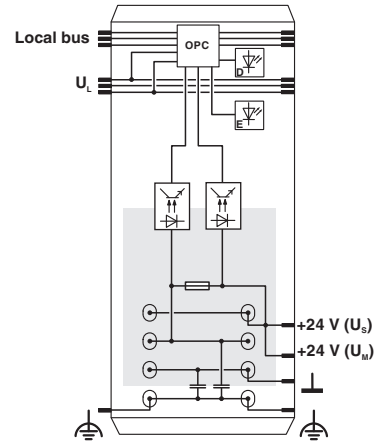
Drawings

Inline terminal - IB IL 24 PWR IN/2-F-D-PAC - 2862152

Connection diagram



Block diagram



Dimensional drawing

