

# SPECIFICATIONS

## PRINTER AND PRINTING PROPERTIES

Print technology	Fused Filament Fabrication (FFF)
Print head	Swappable nozzle
Build volume	223 x 223 x 205 mm
Filament diameter	2.85 mm
Layer resolution	0.25 mm nozzle: 150 to 60 micron
	0.4 mm nozzle: 200 to 20 micron
	0.6 mm nozzle: 400 to 20 micron
	0.8 mm nozzle: 600 to 20 micron
X, Y, Z accuracy	12.5, 12.5, 5 micron
Print head travel speed	30 to 300 mm/s
Extrusion speed	0.25 mm nozzle: up to 8 mm <sup>3</sup> /s
	0.4 mm nozzle: up to 16 mm <sup>3</sup> /s
	0.6 mm nozzle: up to 23 mm <sup>3</sup> /s
	0.8 mm nozzle: up to 24 mm <sup>3</sup> /s
Build plate	Heated glass build plate (20° to 100° C)
Supported materials	PLA, ABS, CPE (Open Filament System)*
Nozzle diameter	0.25, 0.4, 0.6, 0.8 mm
Nozzle temperature	180° to 260° C
Build plate temperature	50° to 100° C
Nozzle heat up time	~ 1 minute
Build plate heat up time	< 4 minutes
Average operating sound	50 dBA
File transfer	Standalone 3D printing from SD card
Build plate leveling	Manual, assisted leveling process

\*Ultimaker printers can be used with third party filament. However for the best printing results we recommend you use Ultimaker PLA, ABS or CPE.

## WARRANTY

The Ultimaker 2+ comes with a 1 year warranty (excluding the hot end) and free lifetime support.

Learn more about our services on the warranty page at [www.ultimaker.com/warranty](http://www.ultimaker.com/warranty)

## PHYSICAL DIMENSIONS

Dimensions (excluding bowden tube and spoolholder)	357 x 342 x 388 mm
Dimensions (including bowden tube and spoolholder)	493 x 342 x 588 mm
Nett weight	11.3 kg
Shipping weight	18.5 kg

## POWER REQUIREMENTS

Input	100 - 240 V
	4 A, 50 - 60 Hz
	221 W max.
Output	24 V DC, 9.2 A

## AMBIENT CONDITIONS

Operating ambient temperature	15° to 32° C
Nonoperating temperature	0° to 32° C

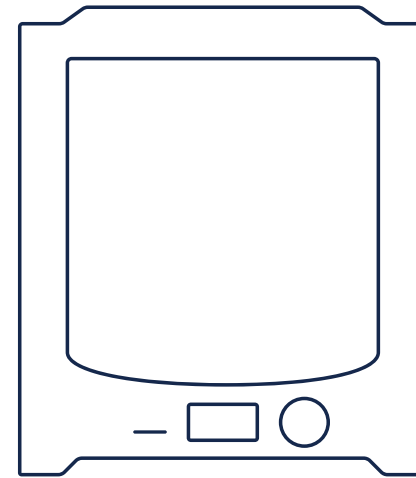
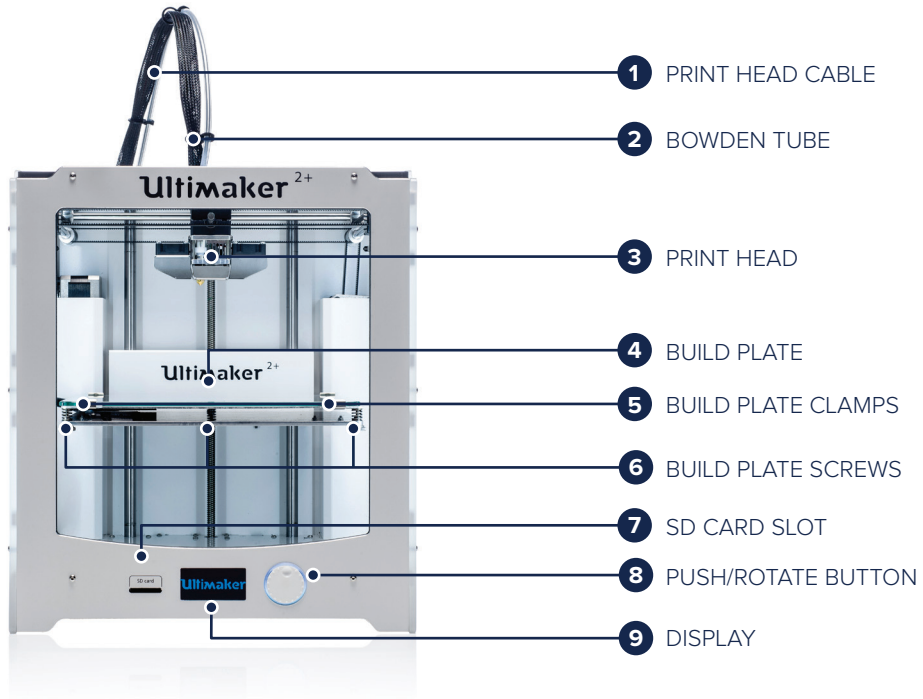
## SOFTWARE

Print preparation	Cura - Official Ultimaker Software (free) (prepared for nozzle size selection)
Supported OS	Mac OS X, Windows, Linux
Supported file types	STL, OBJ, DAE

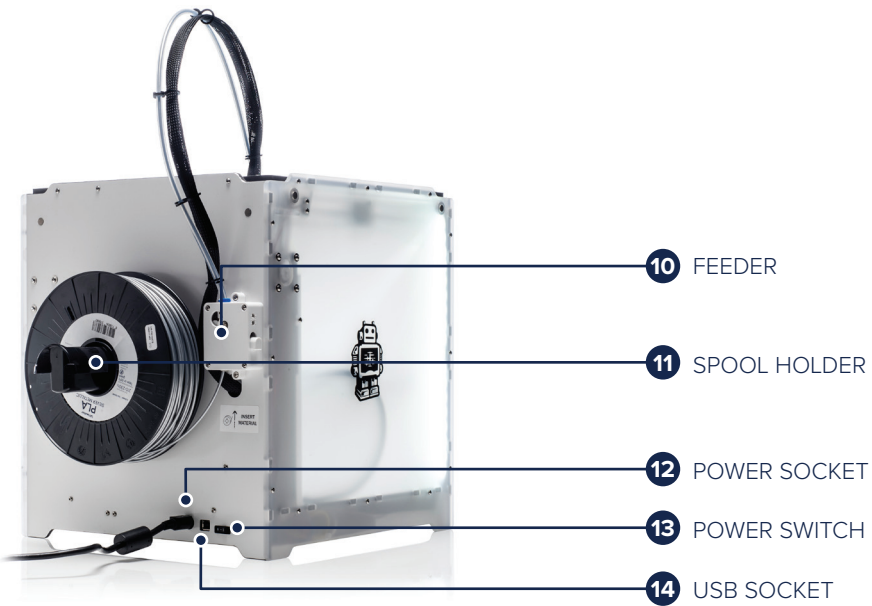
## CERTIFICATES

The Ultimaker 2+ has CE marking and is therefore in compliance with the essential requirements of the Machinery Directive, Electromagnetic Compatibility Directive, RoHS, RoHS II and Reach.

The official CE certificate can be downloaded here [www.ultimaker.com/safety](http://www.ultimaker.com/safety)



SPECIFICATION SHEET  
ULTIMAKER 2+



Ultimaker