

SCHROFF GMBH

Feldrennach
Langenalber Straße 96-100
D-75334 Straubenhardt

Postfach 3
D-75332 Straubenhardt
http://www.schroff.de

Tel. (070 82) 7 94-0
Fax (070 82) 7 94 200
http://www.schroff.de

 **Germany**
SCHROFF GMBH
Langenalber Straße 96-100
D-75334 Straubenhardt
Postfach 3
D-75332 Straubenhardt
Tel. (070 82) 794-0
Fax (070 82) 794-200
http://www.schroff.de

 **France**
SCHROFF SAS
Z.I. 4, rue du Marais
Boîte Postale 16
67660 Betschdorf
Tél. 03 88 90 64 90
Fax 03 88 90 64 88
http://www.schroff.de

 **Great Britain**
SCHROFF UK Ltd.
Maylands Avenue
Hemel Hempstead
Herts HP2 7DE
Tel. (01442) 24 04 71
Fax (01442) 21 35 08

 **USA**
SCHROFF,
North America
170 Commerce Drive
Warwick, R.I. 02886
Tel. (401) 732-3770
Fax (401) 738-7988
e-mail: schroffinfo@schroffus.com
http://www.schroffus.com

HOFFMAN Enclosures Inc.
900 Ehlen Drive
Anoka, Minnesota 55303-7504
Tel. (612) 421-2240
Fax (612) 433-2178

 **Japan**
SCHROFF K.K.
Nisso No.13 Bldg. 4F
5-1, Shin-yokohama 2-chome,
Kohoku-ku, Yokohama 222
Tel. (045) 476-0291
Fax (045) 476-0289

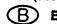
 **Sweden**
SCHROFF
Scandinavia AB
Box 2003
Flygfältsgatan 11
12821 Skarpnäck
Tel. (08) 724 02 40
Fax (08) 724 76 59
http://www.schroff.se

 **Italy**
SCHROFF S.R.L.
Viale Milano, 119
21013 Gallarate (Varese)
Tel. (0331) 79 40 03
Fax (0331) 79 34 50


 **Singapore**
HOFFMAN
SCHROFF PTE LTD
25 International Business Park
#01-68/71 German Centre
Singapore 609916
Tel. (65) 562 78 90
Fax (65) 562 78 99


 **Austria**
Votlohm Dipl. Ing. Christian Drott KG
A-6832 Sulz · Frutzesstraße 4
Tel. ++ 43 (0) 5522 49 42-0
Fax ++ 43 (0) 5522 421 41
http://www.votlohm.com
e-mail: info@votlohm.com

 **Australia**
B & R Enclosures Pvt. Ltd.
10 Industrial Avenue
Wacol Queensland 4076
POB 106, Fichlands
Queensland, Australia 4077
Tel. 00 61-7-32 71 23 66
Fax 00 61-7-32 71 36 54
Mayer Krieg & Co.
Electronic & Electrical Components
50 Mary Street, Unley
P.O. Box 686, Unley
Adelaide, South Australia 5061
Tel. (088) 2 91 32 22 · Fax (088) 2 91 32 00


 **Belgium**
Gestechnics Multitechnic N.V.
Leuvensesteenweg 262 · 1800 Vilvoorde
Tel. (02) 2 57 02 50 · Fax (02) 2 52 49 59


 **Canada**
SCHROFF INC.
111 Grangeway Avenue · Suite 504
Scarborough, Ontario M1H 3E9
Tel. (416) 2 89-2770
Fax (416) 2 89-28 83


 **Switzerland**
Rotronic AG
Grindelstraße 6 · 8303 Bassersdorf
Tel. (01) 8 38 12 12 · Fax (01) 8 37 00 74

 **Czech Republic**
ZTC electronic
P.O. Box 34, 149 00 Praha 415
Tel. (02) 67 91 00 82/528
Fax (02) 67 91 00 41

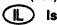
 **Denmark**
Knud Wexø 4 A/S
Skottekeret 11
Postbox 152 · 2840 Holte
Tel. 45 46 58 00 · Fax 45 46 58 01

 **Spain**
CENVAL SA
Ulises 104 · 28043 Madrid
Tel. (01) 7 21 60 10 · Fax (01) 3 00 08 79

 **Finland**
SCHROFF Scandinavia
Peräsimentie 1 · 03100 Nurmela
Tel. (9) 2 22 68 00 · Fax (9) 2 22 38 86

 **Hungary**
NB Electronic Kft.
Kaszásdűlő u.2 · 1033 Budapest
Tel. (1) 4 39 50 55 · Fax (1) 2 50 00 20

 **Hong Kong**
Alberta Electronic Co. Ltd.
Block C, 10/F Eldex Industrial Building
21 Matawei Road, Hung Hom
Kowloon, Hong Kong
Tel. (852) 23 34-27 88
Fax (852) 23 30-16 51


 **Israel**
Ram Nir Electronic
Packaging & Services
4th, Ben-Gurion St., Nea-Ziona 74030
Tel. (08) 9 40 36 70 · Fax (08) 9 40 12 86

 **Ireland**
New England
Technical Sales Ltd.
The diamond Malahide, Co. Dublin
Tel. (01) 8 45 06 35 · Fax (01) 8 45 36 25

 **Norway**
SCHROFF Scandinavia
Filial Norge
Bjørnerudveien 24 · 1266 Oslo
Tel. 22 75 33 40 · Fax 22 75 33 41

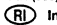
 **The Netherlands**
Geveke Electronics bv
Componenten & Systemen
Donauweg 10 · 1043 aj Amsterdam
Postbus 552 · 1000 ar Amsterdam
Tel. (020) 5 86 15 43
Fax (020) 5 86 19 85
Telex 1 85 56

 **New Zealand**
Mayer Krieg (N.Z.) Limited
Electronic & Electrical Components
34 C Hobill Avenue
Manukau City, Auckland
Tel. (09) 2 62 24 61 · Fax (09) 2 62 24 74


 **Portugal**
ARESTEL S.A.
Componentes e Equipamentos
Electronicos, S.A.
Pct. Proj. 4 Av. Mário Moulinho
Lote 1528 Cave · 1400 Lisboa
Tel. (01) 3 03 08 50 · Fax (01) 3 01 62 21


 **Poland**
Ryszard Platek
SCHROFF Representative
Koncertowa 6/49
02-784 Warszawa
Tel. (48) 22-641 96 69
Fax (48) 22-641 96 69

 **Taiwan**
LUMAX International Corp. Ltd.
Taichung Branch
10F-2, 20 Da-Long Road
TCC Building, Taichung
Tel. (886)-4-329-5957
Fax (886)-4-329-5845

 **Indonesia**
PT Himalaya Everest Java
Jl. Daan Mogot No. 119, Blok C, 6-7
Jakarta 11470
Tel. (62) 21-566-1958
Fax (62) 21-566-1733

 **Korea**
ARA Electronics Co., Ltd.
105, Dangjeong-Dong; Kumpo City
Kyunggi-Do, 435-030
Tel. (82-343) 455-04 80
Fax (82-343) 455-46 10

 **Russia**
PROSOFT
108, Profsoznaya str., · 117437 Moscow
Tel. (095) 2 34 06 36 · Fax (095) 2 34 06 40

 **Slovenia**
IC Elektronika d.o.o.
Vodovodna 100 · PP 2514
1001 Ljubljana
Tel. (61) 1 65 31 50 25
Fax (61) 1 65 31 70 20

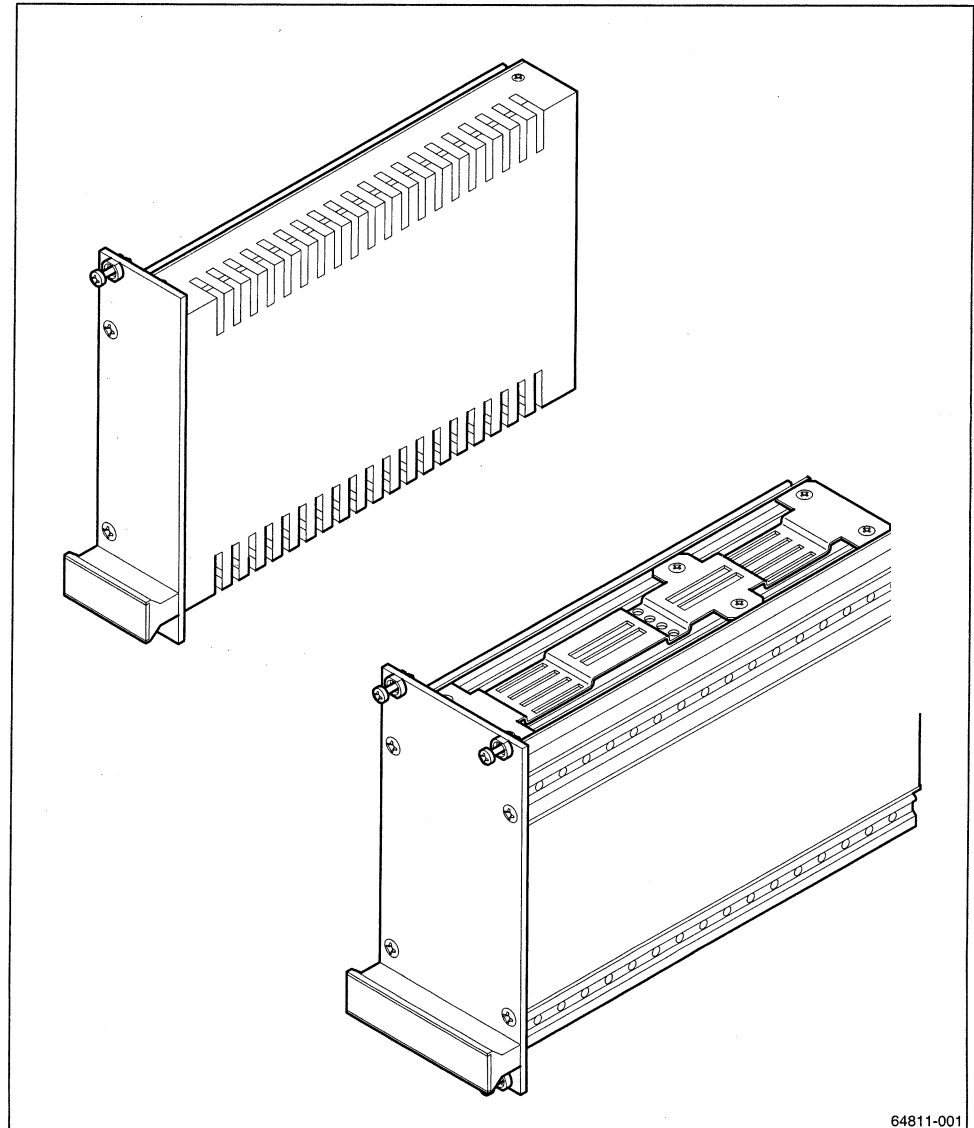
 **Thailand**
Eletech International Corp. Ltd.
71, 71/1-4 Prayasurain Road
Bangchan Moo 4, minburi
Bangkok 10510
Tel. (66) 2-5 18-1 40 85
Fax (66) 2-5 17-83 97

 **South Africa**
Pascom Electronics (Pty.) Ltd.
Technical Sales Ltd.
P.O. Box 76132 · Wendywood 2144
Tel. (011) 444-1001 · Fax (011) 444-1080

Montageanweisung
Kassetten/Teileinsätze
Schirmbaugruppe

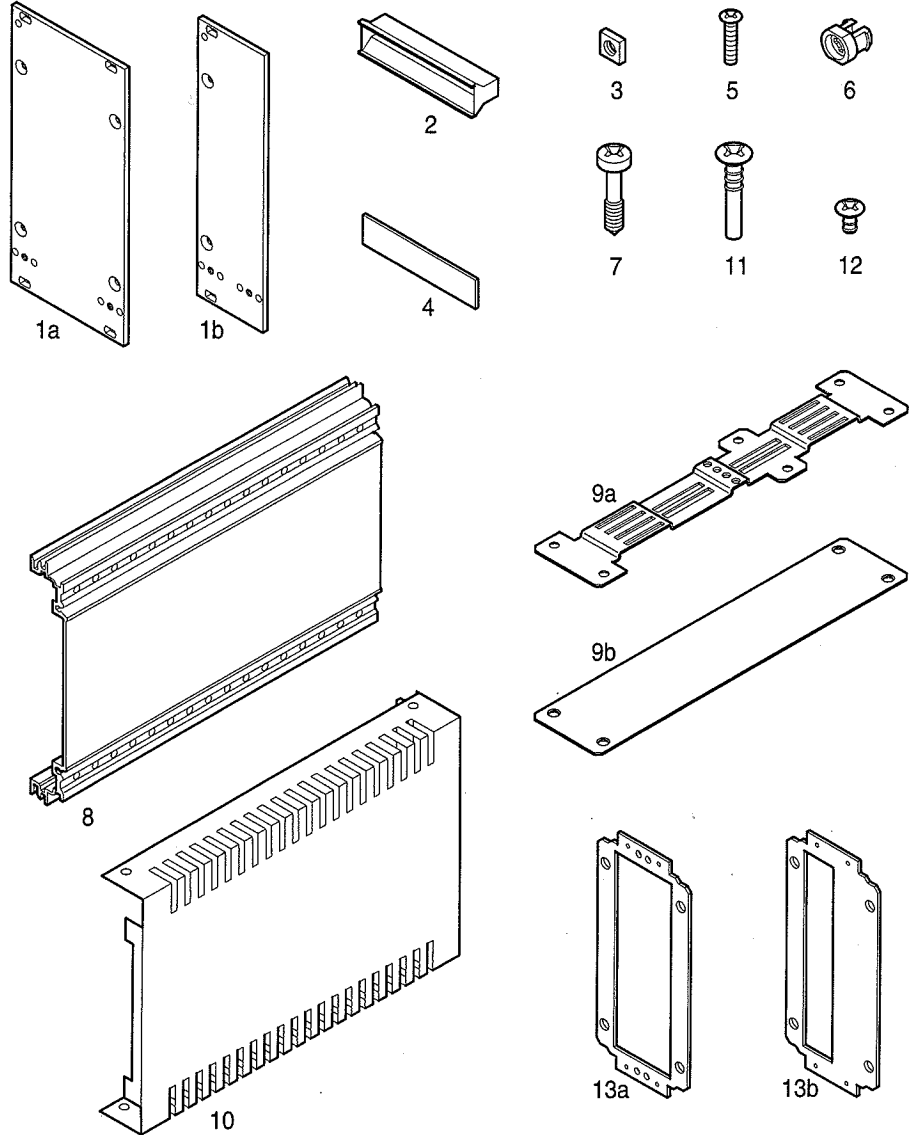
Assembly instructions
Plug-in units
Screened PIU

Instructions de montage
cassettes/tiroirs
Bloc C.I. blindé

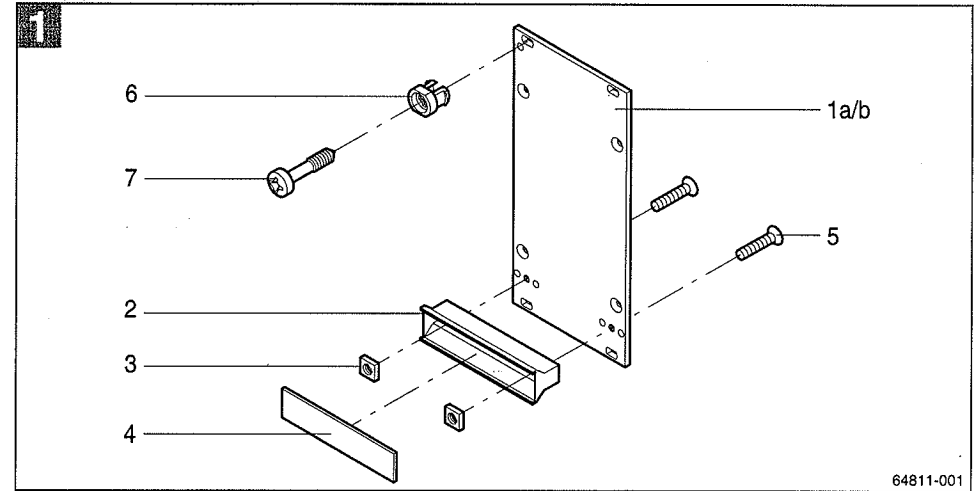


64811-001

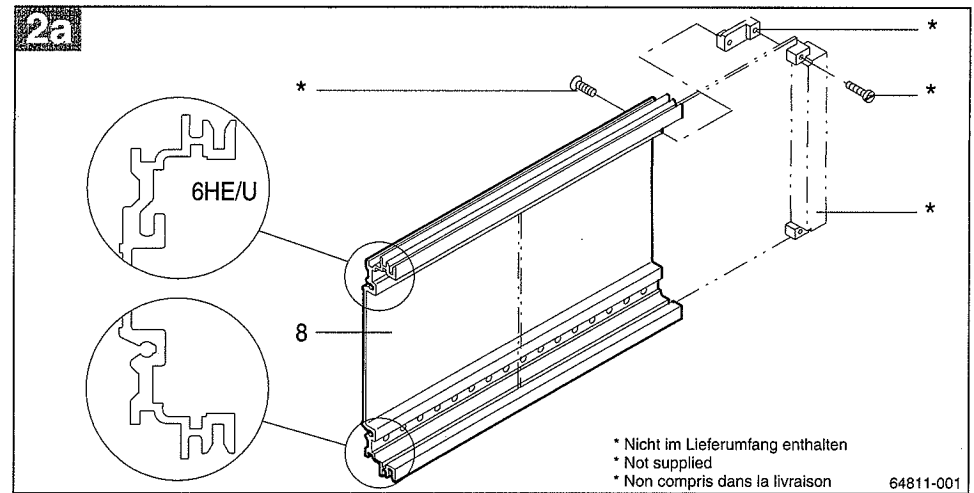
	1a	1b	2	3	4	5	6	7	8	9a	(9b)	10	11	12	13a	(13b)
Ausführung/Version/ Exécution ≥ 7 TE / 7 HP / 7 F	-	1x	1x	2x	1x	2x	2x	2x	1x	-	-	1x	4x	-	-	-
Ausführung/Version/ Exécution ≥ 10 TE / 10 HP / 10 F	1x	-	1x	2x	1x	2x	4x	4x	2x	2x	(2x)	-	8x	12x	1x	(1x)



64811-001

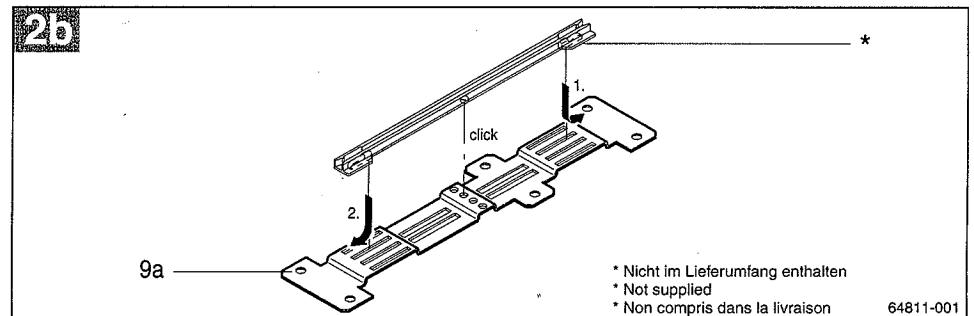


64811-001



* Nicht im Lieferumfang enthalten
* Not supplied
* Non compris dans la livraison

64811-001



* Nicht im Lieferumfang enthalten
* Not supplied
* Non compris dans la livraison

64811-001

