



Datasheet

RS PRO 200mm USB 2.0 A M - Mini B 5 Pin Cable – Black – 10PK

Stock number: 178-4179

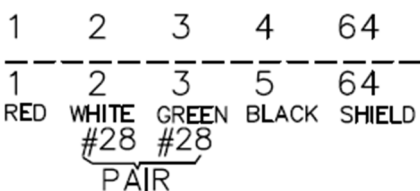
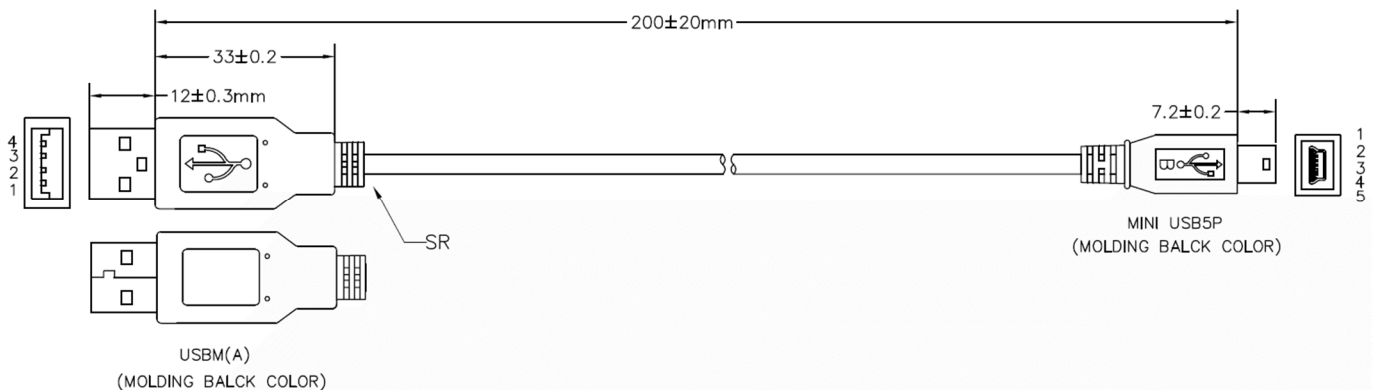
EN

The RS PRO 20cm USB version 2.0 A male to mini B male cable has a black PVC jacket and connector hoods. The cable flex has copper wire conductors and drain wire, with an aluminium braid, foil shielding and has an outer diameter of 4mm.

The connectors are nickel and have a strain relief to help avoid the cable splitting around the edge of the boot.

USB mini B ports are commonly found on portable devices such as phones, cameras and portable hard disks.

Supplied in a pack of 10 units



1. CABLE: UL2725,AL+B-FOIL,28AWG*1P+28AWG*2C,BLACK COLOR,OD=4.0±0.2mm,PVC JACKET.
2. LENGTH: 0.2M.
3. CONNECTORS: USBM(A)*1,MINI USB5P*1(WHITE INSULATOR)(SHELL NICKEL).
4. MOLD: MOLDING USB TYPE.
5. CONTACTS
6. Test machine test condition.
 - A.100% OPEN,SHORT&INTERMITANCE TEST.
 - B.CONDUCTOR RESISTANCE: 3ohms MAX:
 - C.INSULATION RESISTANCE: 5M Min/,10ms:
7. ALL MUST BE MEET ON ROHS COMPLIANT.

RoHS / REACH / CE

