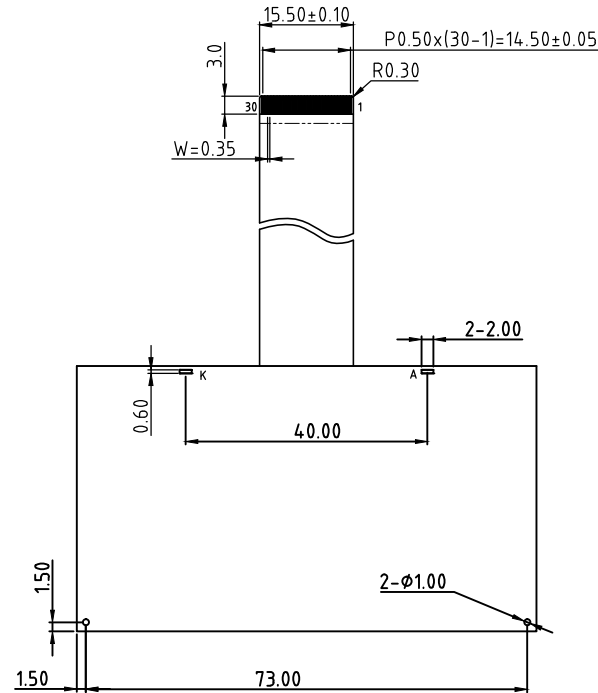
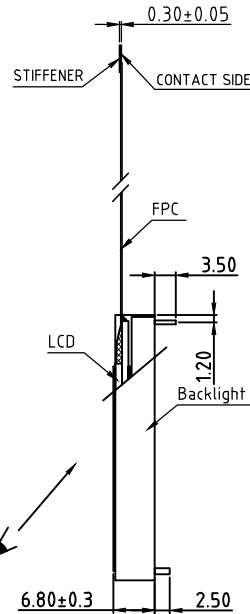
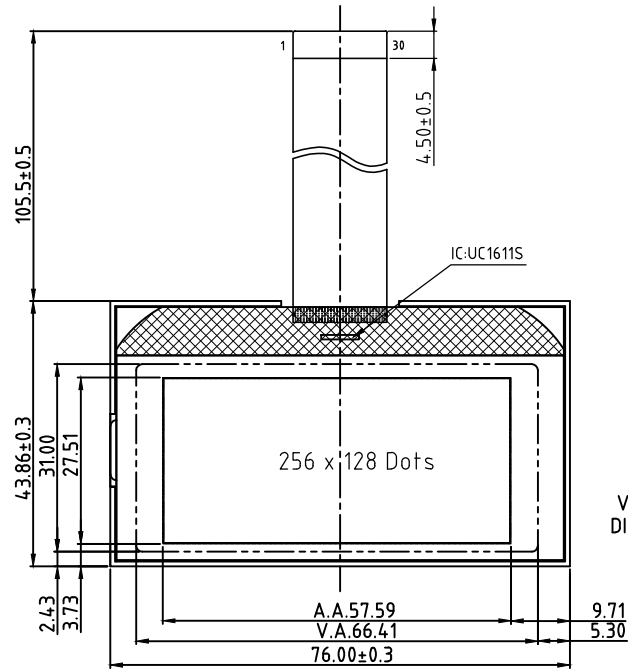


REV	Description	Date
A00	First Issue	2013-JUL-19

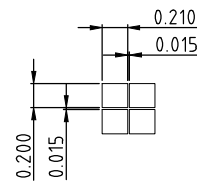


Pin Assignment:

PIN	SYMBOL
1	NC
2	D15
3	D13
4	D7
5	D6
6	D5
7	D4
8	D3
9	D2
10	D1
11	D0
12	RST
13	CS0
14	CD
15	WRO
16	WR1
17	BMO
18	TST4
19	VSS
20	VDD
21	VLCD
22	VA0-
23	VA1-
24	VA1+
25	VA0+
26	VBO-
27	VB1-
28	VB1+
29	VBO+
30	NC

SPECIFICATIONS:

- 1) FSTN/+VE/B&W/TRANSFLECTIVE MODE
- 2) 1/128 DUTY, 1/12 BIAS, VOP=15.5V(REF)
- 3) VIEWING ANGLE = 6 O'CLOCK
- 4) OP.TEMP.= -20°C TO +70°C
ST.TEMP.= -30°C TO +80°C
- 5) DRIVER: UC1611S, VDD=3.3V
- 6) WITH WHITE LED BACKLIGHT, 3.3V@60mA
- 7) RoHS COMPLIANT



Dots Detail
Scale=20:1

Description: **MECHANICAL SPECIFICATIONS**

Scale: _____

Sheet : 1 of 1

Unspecified Tol. ±0.3 Unit mm

Approvals _____ Date _____

Draw: _____

Check: _____

Approve: _____

TRI-T COMPANY LIMITED

Project Number: CI064-4073-01

Item Number: _____

Do Not Scale This Drawing

Projection: