

Datasheet - NDRZ50GR/RT

Command and signalling devices / Push buttons and pilot lights - "N" Program / NDR - Emergency stop / latched pushbutton



- with latching
- Emergency stop latching pushbutton

(Minor differences between the printed image and the original product may exist!)

Ordering details

Product type description	NDRZ50GR/RT
Article number	1177170
EAN code	




Approval

Approval



Global Properties

Product name	NDR - Emergency stop latching pushbutton
Standards	IEC/EN 60947-1, EN 60947-5-1
Compliance with the Directives (Y/N)	Yes
Suitable for safety functions (Y/N)	Yes
Mounting	mounting flange EFM
Materials	

- Material of the operators	ABS
- Material of the front ring	ABS, Chromium-plated
- Material of the bellows	Silicone
Design	Emergency stop latching pushbutton - Front plate mounting
Form	Round
Color	
- Colour of the operating element	 red
- Colour of the bellows	 Black
- Colour of the front ring	 Silver
Weight	50 g
Manner of using	
Can be illuminated (Y/N)	No
Emergency-Stop button (Y/N)	Yes

Mechanical data

Mechanical life	100.000 operations
restistance to shock	30 g / 18 ms
Latching (Y/N)	Yes
Unlocking type	Draw unlocking
Probing possible (Y/N)	No
mounting flange available (Y/N)	Yes
Snap mechanism integrated in device head (Y/N)	Yes
External snap mechanism (Y/N)	No
Front plate thickness	
- min. front plate thickness	1.5 mm
- max. front plate thickness	6 mm
Tightening torque for fixing screws	0,6 Nm

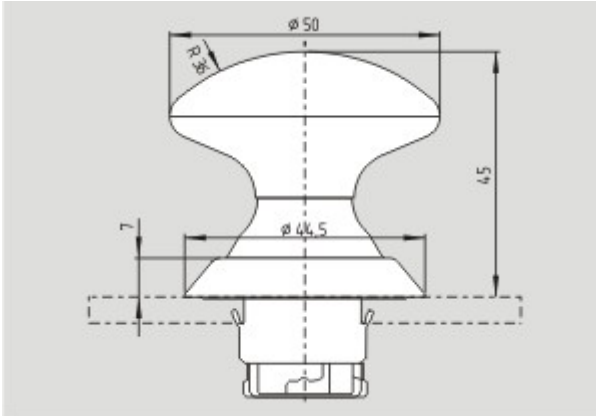
Ambient conditions

Ambient temperature	
- Min. environmental temperature	-25 °C
- Max. environmental temperature	+80 °C
Storage and transport temperature	
- Min. Storage and transport temperature	-
- Max. Storage and transport temperature	-
Fully insulated (Y/N)	Yes
Sealing type	membrane, lip seal
Protection type IP	IP67, IP69K

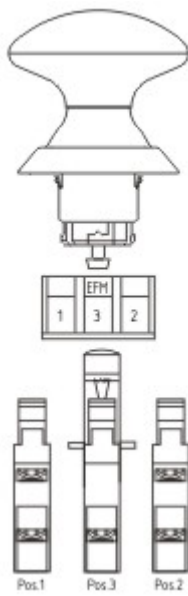
Dimensions

Dimensions	
- Height	45 mm
- diameters for the actuating heads	Ø 50 mm
- Hole, diameter	22.3 mm + 0,4 mm
Spacing	50 x 50 mm

Images



Dimensional drawing (basic component)



Application

System components

Accessories



1014387 - ELM

contact element

1026059 - EFK30.3

- Cage clamps
- Mounting flange position 3
- 31-32 (Contact labelling)



- Suitable for EMERGENCY-OFF



1026058 - EFK30.2

- Cage clamps
- Mounting flange position 2
- 21-22 (Contact labelling)
- Suitable for EMERGENCY-OFF



1026057 - EFK30.1

- Cage clamps
- Mounting flange position 1
- 11-12 (Contact labelling)
- Suitable for EMERGENCY-OFF



1022139 - EF303.3

- Screw connection
- Mounting flange position 3
- 51-52; 63-64 (Contact labelling)
- Suitable for EMERGENCY-OFF



1022138 - EF303.2

- Screw connection
- Mounting flange position 2
- 31-32; 43-44 (Contact labelling)
- Suitable for EMERGENCY-OFF



1022137 - EF303.1

- Screw connection
- Mounting flange position 1
- 11-12; 23-24 (Contact labelling)
- Suitable for EMERGENCY-OFF



1023938 - EF220.3

- Screw connection
- Mounting flange position 3
- 51-52; 61-62 (Contact labelling)
- Suitable for EMERGENCY-OFF

1024262 - EF220.2

- Screw connection



- Mounting flange position 2
- 31-32; 41-42 (Contact labelling)
- Suitable for EMERGENCY-OFF



1023927 - EF220.1

- Screw connection
- Mounting flange position 1
- 11-12; 21-22 (Contact labelling)
- Suitable for EMERGENCY-OFF

K.A. Schmersal GmbH, Möddinghofe 30, D-42279 Wuppertal

The data and values have been checked thoroughly. Technical modifications and errors excepted.

Generiert am 28.09.2011 - 10:09:04h Kasbase 1.5.5 DBI