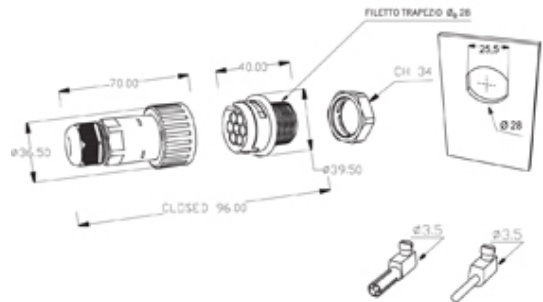


THB.406.A1B

TeePlug Panel-mount 3 pole Screw terminal 7mm to 14mm cable diameter, 4 mm max conductor size IP68 17.5A 400V 1 cable entry



SPECIFICATION

| | |
|-----------------------------|-------------|
| Cable Entries | 1 |
| Number of Poles | 3 |
| Terminal Type | Screw |
| Body Material | PA66 |
| Max Conductor Size (Sq mm) | 4 |
| Max Current (A) | 25 |
| Max Voltage (V) | 400 |
| Minimum Temp Rating °C | -40 |
| IP Rating | 68 |
| Max Temp Rating °C | 125 |
| Fixing System | Panel mount |
| Maximum Cable Diameter (mm) | 14 |
| Minimum Cable Diameter (mm) | 7 |
| Temperature "T" Rating | T125 |