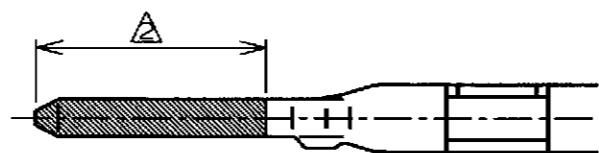
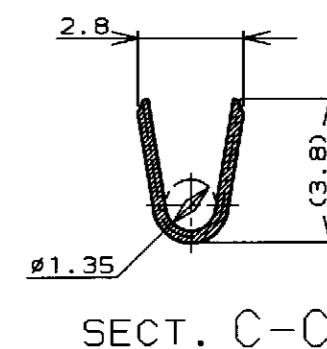
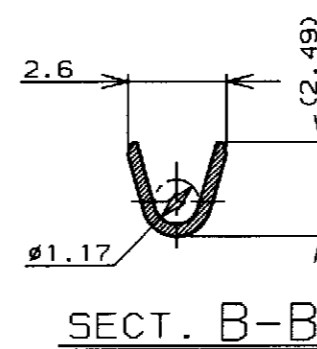
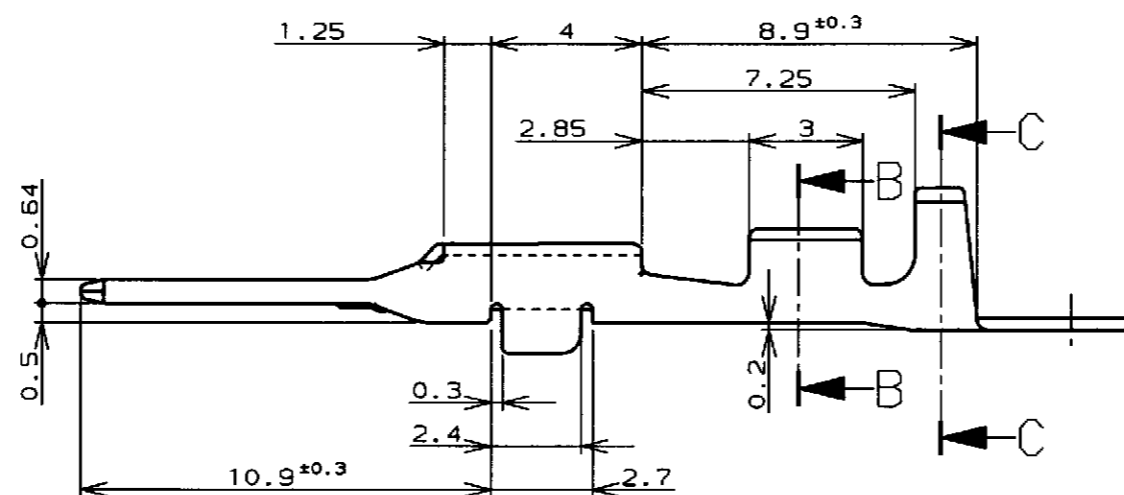
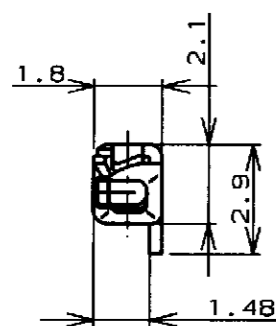
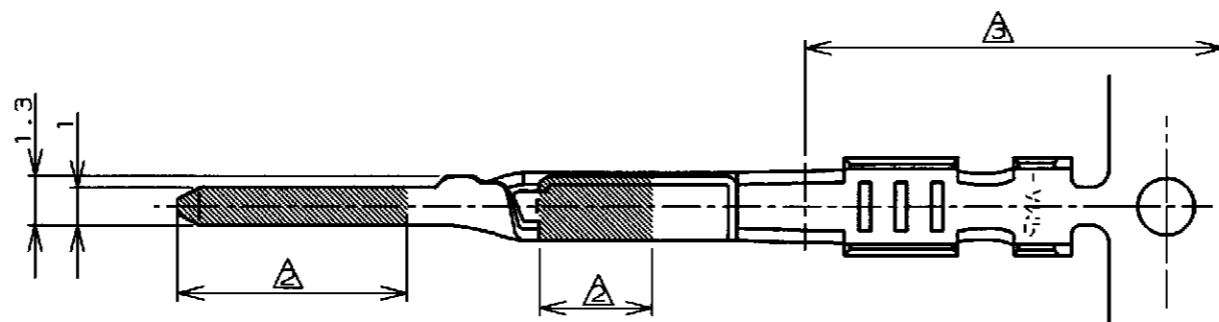


REVISIONS					
P	LTR	DESCRIPTION	ECN	DATE	DWN APVD
0		DRAWN	FJ00-5920-96	20DEC96	HY NS
A		REVISED	FJ00-1823-97	08DEC97	zyf NB



注記;
 1. 適用電線: AVSS, CAVS 0.3~0.5mm²
 △ 金めつき範囲 (-2 のみ).
 △ すすめつき範囲 (-2 のみ).

NOTES,
 1. APPLICABLE WIRE RANGE ;
 AVSS, CAVS 0.3~0.5mm²
 △ GOLD PLATING AREA (-2 ONLY)
 △ TIN PLATING AREA (-2 ONLY)

SELECTIVE GOLD/TIN (部分金めつき/すすめつき) △△	353537-2
PRE-TIN (すすめつき済)	353537-1
FINISH (仕上)	PART NUMBER (型番)

THIS DRAWING IS A CONTROLLED DOCUMENT FOR AMP INCORPORATED. IT IS SUBJECT TO CHANGE AND THE CONTROLLING ENGINEERING ORGANIZATION SHOULD BE CONTACTED FOR THE LATEST REVISION.		DWN 20DEC96 H. YAMAGAMI	AMP 日本エー・エム・ピー株式会社 Kawasaki, Japan
DIMENSIONS: 単位: 概 mm		CHK 20DEC96 D. MATSUURA	
TOLERANCES UNLESS OTHERWISE SPECIFIED 一般公差 10% ±0.2 30% ±0.25 100% ±0.3 ANGLE: ±3°		APVD 20DEC96 N. SAI	NAME .040 III UNSEALED CONTACT, TAB (S)
MATERIAL 材料 BRASS 黄銅		PRODUCT SPEC 製品規格 - - - APPLICATION SPEC 取付通用規格 114-5228	SIZE A3
FINISH 仕上 SEE TABLE 表参照		WEIGHT 0.31g	CAGE CODE 00779
CUSTOMER DRAWING		DRAWING NO 番号 C-353537	
		SCALE 5-1	SHEET 1 OF 1 REV A