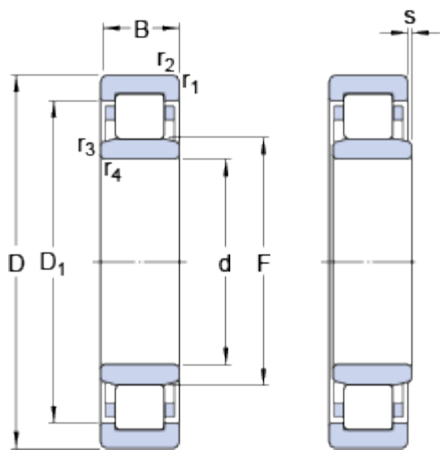


NU 2309 ECP

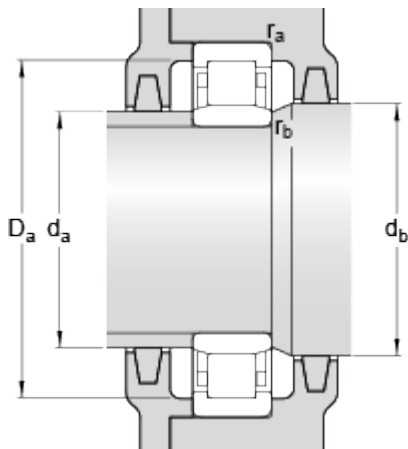
Popular item
SKF Explorer

Dimensions



d	45	mm
D	100	mm
B	36	mm
D ₁	≈ 83.2	mm
F	58.5	mm
r _{1,2}	min. 1.5	mm
r _{3,4}	min. 1.5	mm
s	max. 3.2	mm

Abutment dimensions



d _a	min. 54	mm
d _a	max. 56	mm
d _b	min. 60	mm
D _a	max. 91.4	mm
r _a	max. 1.5	mm
r _b	max. 1.5	mm

Calculation data

Basic dynamic load rating	C	160	kN
Basic static load rating	C ₀	153	kN
Fatigue load limit	P _u	20	kN
Reference speed		7500	r/min
Limiting speed		8500	r/min
Calculation factor	k _r	0.25	
Limiting value	e	0.3	
Axial load factor	Y	0.4	

Mass

Mass bearing		1.27	kg
--------------	--	------	----

