

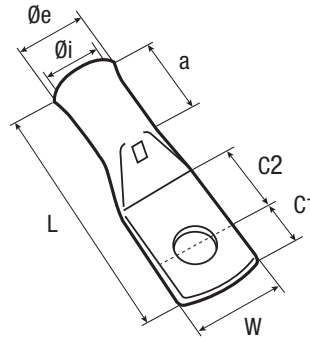


Copper Tubular Lugs from 2.5 to 70 mm²

General features

- ✓ Electrolytic tin-plating process.
- ✓ Other plating on request.
- ✓ Bell entry from 10 mm².
- ✓ Straight entry on request, remove "T" from part number.

Other holes on request.



mm ²	Item code	Part No.	Packing	Stud size Ø mm	W	Ø i	Ø e	C1	C2	a	L	Type of dies
2.5	7417005	2.5-3	100	3	7.5	2.4	4	4.4	4.4	8	22.5	/
	7417015	2.5-4	100	4	7.5	2.4	4	4.4	4.4	8	22.5	
	7417028	2.5-5	100	5	9	2.4	4	6.4	6.8	8	26	
	7417029	2.5-6	100	6	9	2.4	4	6.4	6.8	8	26	
4	7406205	4-4C	100	4	9	2.7	5	6.2	7.4	8.7	25.7	..HCU4
	7406215	4-5C	100	5	9	2.7	5	6.2	7.4	8.7	25.7	
	7406225	4-6C	100	6	12	2.7	5	6.2	7.4	8.7	25.7	
	7406235	4-8C	100	8	12	2.7	5	6.2	7.4	8.7	25.7	
6	7406255	6-4C	100	4	10	3.3	5.5	6.2	7	10.7	27.7	..HCU6
	7406265	6-5C	100	5	13	3.3	5.5	8	9	10.7	31.5	
	7406275	6-6C	100	6	13	3.3	5.5	8	9	10.7	31.5	
	7406285	6-8C	100	8	13	3.3	5.5	8	9	10.7	31.5	
10	7406260	6-10C	100	10	14.5	3.3	5.5	9	10	10.5	34	..HCU10
	7406306	10-4CT	100	4	11	4.3	6.8	6.2	6.6	13.7	32.2	
	7406316	10-5CT	100	5	11	4.3	6.8	6.2	6.6	13.7	32.2	
	7406326	10-6CT	100	6	11	4.3	6.8	6.2	6.6	13.7	32.2	
16	7406336	10-8CT	100	8	14	4.3	6.8	8.2	10.6	13.7	36.7	..HCU16
	7406346	10-10CT	100	10	14	4.3	6.8	8.2	10.6	13.7	36.7	
	7406386	16-5CT	100	5	12	5.3	8	6	7	14.7	34	
	7406396	16-6CT	100	6	12	5.3	8	6	7	14.7	34	
25	7406406	16-8CT	100	8	16	5.3	8	8	11	14.7	39	..HCU25
	7406416	16-10CT	100	10	16	5.3	8	8	11	14.7	39	
	7406426	16-12CT	100	12	17	5.3	8	9.2	13.4	12.5	40.7	
	7406466	25-6CT	50	6	13	6.6	9.5	7	9	14.6	37.6	
35	7406476	25-8CT	50	8	16	6.6	9.5	9	11	14.6	41.6	..HCU35
	7406486	25-10CT	50	10	16	6.6	9.5	9	11	14.6	41.6	
	7406496	25-12CT	50	12	17.5	6.6	9.5	9	11	14.6	41.6	
	7406536	35-6CT	50	6	15	7.9	11	9	10	16.5	43.5	
50	7406546	35-8CT	50	8	17	7.9	11	9	10	16.5	43.5	..HCU50
	7406556	35-10CT	50	10	17	7.9	11	9	10	16.5	43.5	
	7406566	35-12CT	50	12	18.5	7.9	11	9	10	16.5	43.5	
	7406606	50-6CT	50	6	18	9.2	12.5	7	9	18.5	43.5	
70	7406616	50-8CT	50	8	18	9.2	12.5	10	14	18.5	51	..HCU70
	7406626	50-10CT	50	10	18	9.2	12.5	10	14	18.5	51	
	7406636	50-12CT	50	12	19	9.2	12.5	10	14	18.5	51	
	7406676	70-8CT	50	8	21	11	15	10	14	20	55.5	
70	7406686	70-10CT	50	10	21	11	15	10	14	20	55.5	..HCU70
	7406696	70-12CT	50	12	21	11	15	10	14	20	55.5	



Conductor size (mm²)



Packing



Stud size



Type of dies

Unless otherwise stated, all dimensions are in millimeters.