

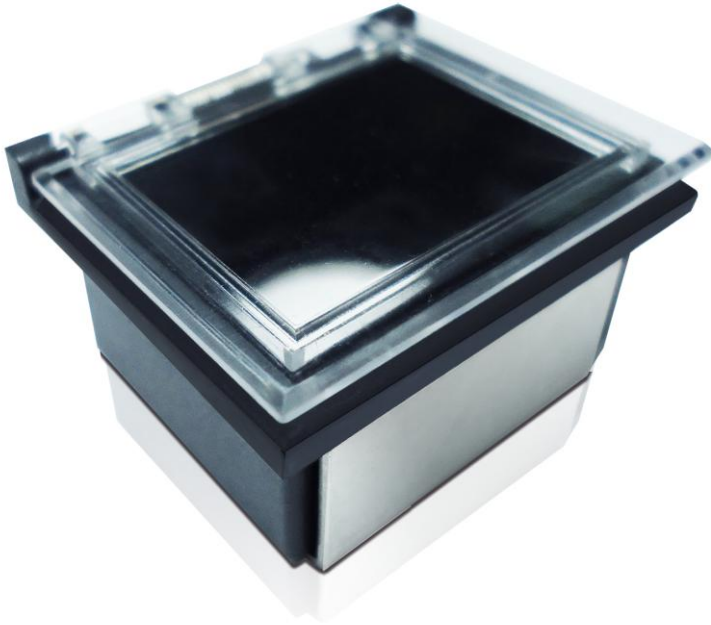


ENGLISH

## Product Datasheet

# 16mm Protection Cap

Switch 16mm Flip guard 180D Rectangular



### Product Specifications:

Material	Cover	Plastic
	Base	Plastic
	Fixing bow	Stainless steel
	Gasket	Rubber
Mounting hole	21x27 mm (Flush mounted)	
Optics	Transparent	
180° Opening, Spring return		

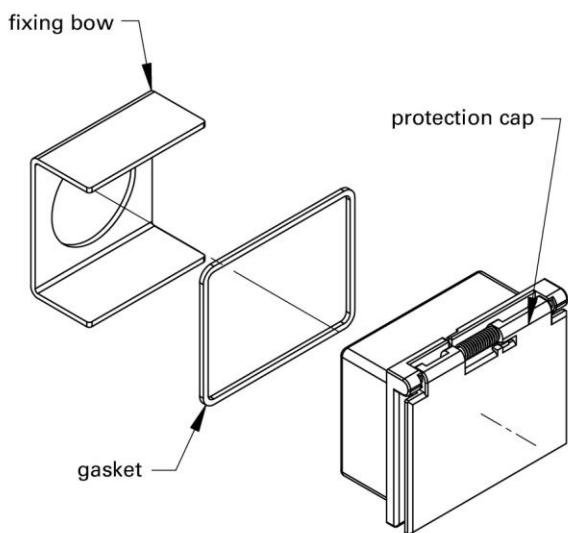
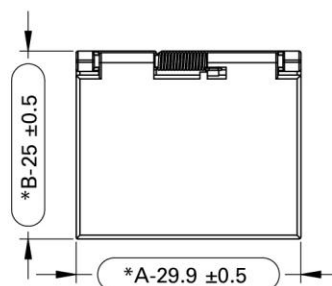
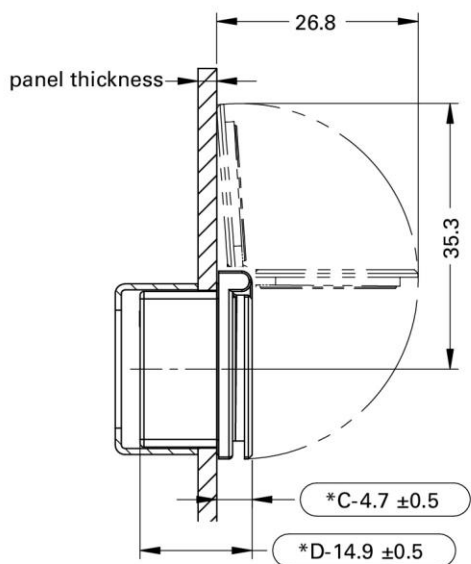
**RoHS**  
Compliant



## 16mm protection cap

Square flush mounted (180°)

ENGLISH



### Hole Dia

