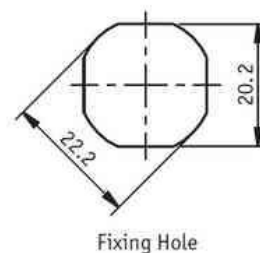
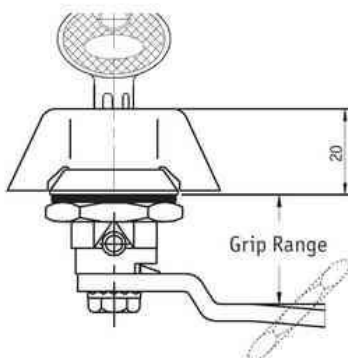


Datasheet

# Cylinder Cam Lock with Wing Knob

RS Stock No:146-1796



## Specification

Die-cast Zinc alloy.

Black powder coated.

Supplied with 2 standard Euro Keys (5333).



ENGLISH

Part Number	Grip Range
146-1796	24.5

All dimensions in mm