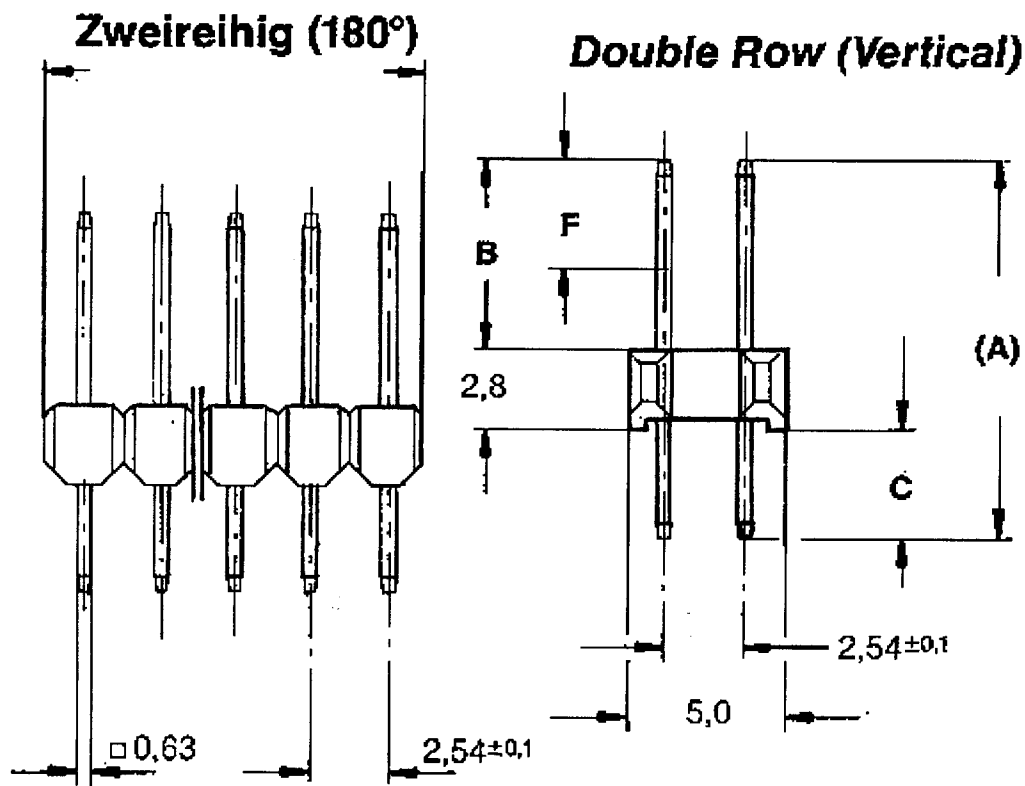


# **RS** DATA SUPPORT

## CROSS REFERENCE LIST

RS Stock No.	Description	Suppliers Part No.
173-2758	2x50 Way Dual Row Header Gold	5-826632-0
173-2764	2x50 Way Dual Row Header Tin	5-826925-0

# AMPMODU THROUGH HOLE HEADER DUAL ROW



<i>Searchable Features:</i>		
# of Rows	Dual	
# of Positions	100 (2x50)	100 (2x50)
Breakaway Header	Yes	
Profile	Standard	
Shrouded	No	
PCB Mount Angle	Vertical	
PCB Retention Feature	Without	
Surface Mount Compatible	No	
Contact Mating Area Plating	Gold (30)	Tin over Nickel
Board Standoff	Without	
Mounting Ears	Without	
Panel Attachment	No	
Mating Connector Lock	Without	
High Temperature Housing	No	
<i>Other Properties</i>		
Dim. A	.488 [12.40] in. [mm]	.488 [12.40] in. [mm]
Dim. B	.264 [6.70] in. [mm]	.264 [6.70] in. [mm]
Dim. C	.114 [2.90] in. [mm]	.114 [2.90] in. [mm]
Dim. F	.217 [5.50] in. [mm]	.217 [5.50] in. [mm]
Contact Material	Phosphor Bronze	Brass
Solder Tail Plating	Tin	
Housing Material	Thermoplastic Polyester	
Housing Flammability Rating	UL 94V-0	
Housing Colour	Green	