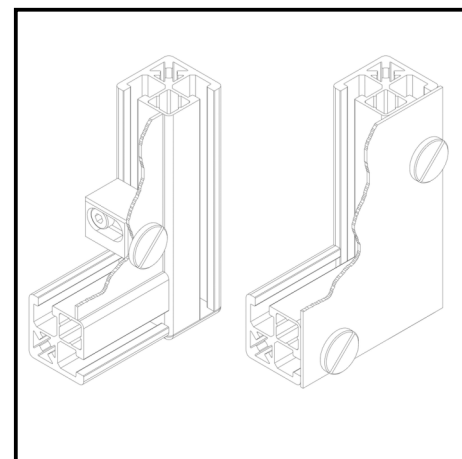
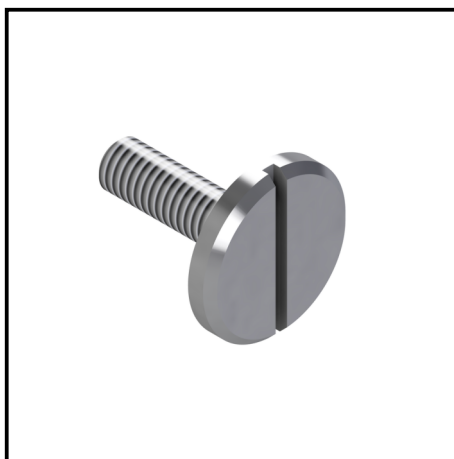
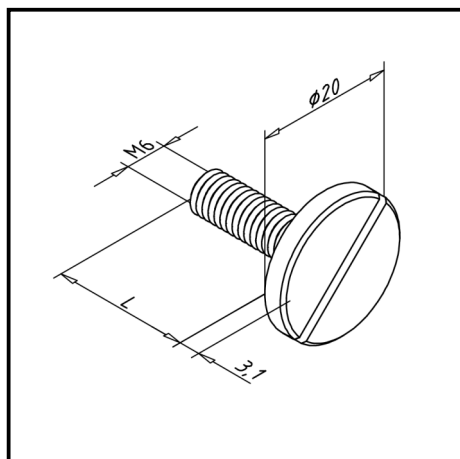


# PAN HEAD SCREW M06X20

Article Nr. 21.1246/1

[See the product on the website](#) →

[Download CAD Files](#) →



## TECHN. DATA / ITEMS SUPPLIED

- Steel, galvanized
- Thread (d) : M 6
- Length (l) : 20 mm
- Head diameter  $\varnothing$  20 mm
- Weight = 0.010 kg/piece

## APPLICATIONS

- Assembly of surface elements directly on profile groove
- In connection with screw blocks, multiblocks and thread socket

## ASSEMBLY

- Pre-drill surface elements:  $\varnothing$  6.5 mm
- Recommended grid dimensions: approx. 150 mm
- Edge distance: see screw block 32 and multi-block