



Brand of NTN Group

## Technical data

# MUCNFL205-16

Bearing units

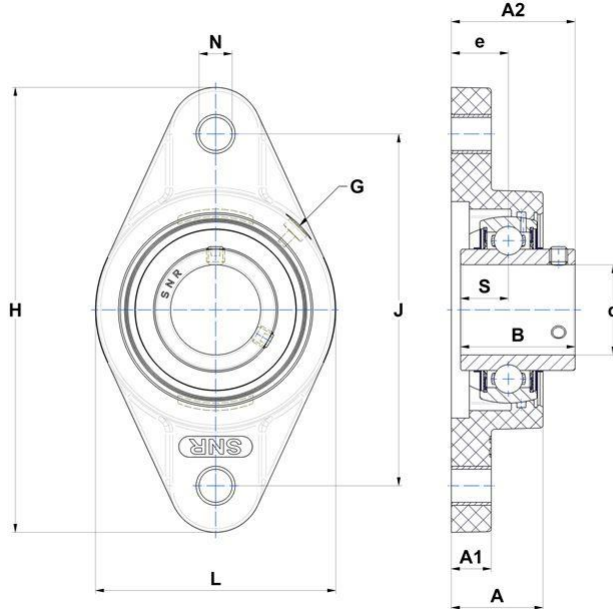


Thermoplastic housing, stainless steel insert ball bearing with socket set screws, seal with slinger, food grease

### KIT CONTENT

MUC205-16FD, NFL205

### VISUAL (S)



### PRODUCT DEFINITION

|   |         |
|---|---------|
| <b>Brand</b>                                    | SNR     |
| <b>A - Housing height</b>                       | 29,1 mm |
| <b>A1 - Housing foot height / flange height</b> | 13,5 mm |
| <b>A2 - Total height from mounting surface</b>  | 36,8 mm |
| <b>B - Width of Inner Ring</b>                  | 34,1 mm |



**NTN Europe**

1 rue des Usines · BP 2017 · 74010 Annecy Cedex · France · Tel. +33 (0)4 50 65 30 00  
S.A. au capital de 322 639 919 € · RCS ANNECY B 325 821 072 · Id. Fiscale : FR 48 325 821 072  
SIRET 325 821 072 00015 · Code APE 2815 Z · Code NACE 28.15

### PRODUCT DEFINITION

|  |         |
|--|---------|
| <b>d - Shaft diameter</b>                              | 25,4 mm |
| <b>e - Distance mounting surface to bearing center</b> | 17 mm   |
| <b>G - Grease fitting</b>                              | 1/4"-28 |
| <b>H - Housing length, width or diameter</b>           | 130 mm  |
| <b>J - Mounting holes distance</b>                     | 99 mm   |
| <b>L - Housing width / diameter</b>                    | 70 mm   |
| <b>N - Mounting hole dimension</b>                     | 11 mm   |
| <b>S - Distance front side/bearing centre</b>          | 14,3 mm |

### PRODUCT PERFORMANCE

|                                   |             |
|-----------------------------------|-------------|
| <b>C - Dynamic load rating</b>    | 11900000 mN |
| <b>C0 - Static load rating</b>    | 6300000 mN  |
| <b>Operating temperature min.</b> | 253,15 °K   |
| <b>Operating temperature max.</b> | 373,15 °K   |

### OTHER FEATURES

|  |          |
|--|----------|
| <b>Mass</b>  | 0,291 kg |
| <b>Recommended tightening torque for set screw</b> | 3.9 N-m  |

