



Festo core product range
Covers 80% of your automation tasks

Worldwide:

Always in stock

Superb:

Festo quality at an attractive price

Easy:

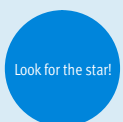
Reduces procurement and storing complexity



Ready for dispatch from the Festo factory in 24 hours
Held in stock in 13 service centres worldwide
More than 2200 products



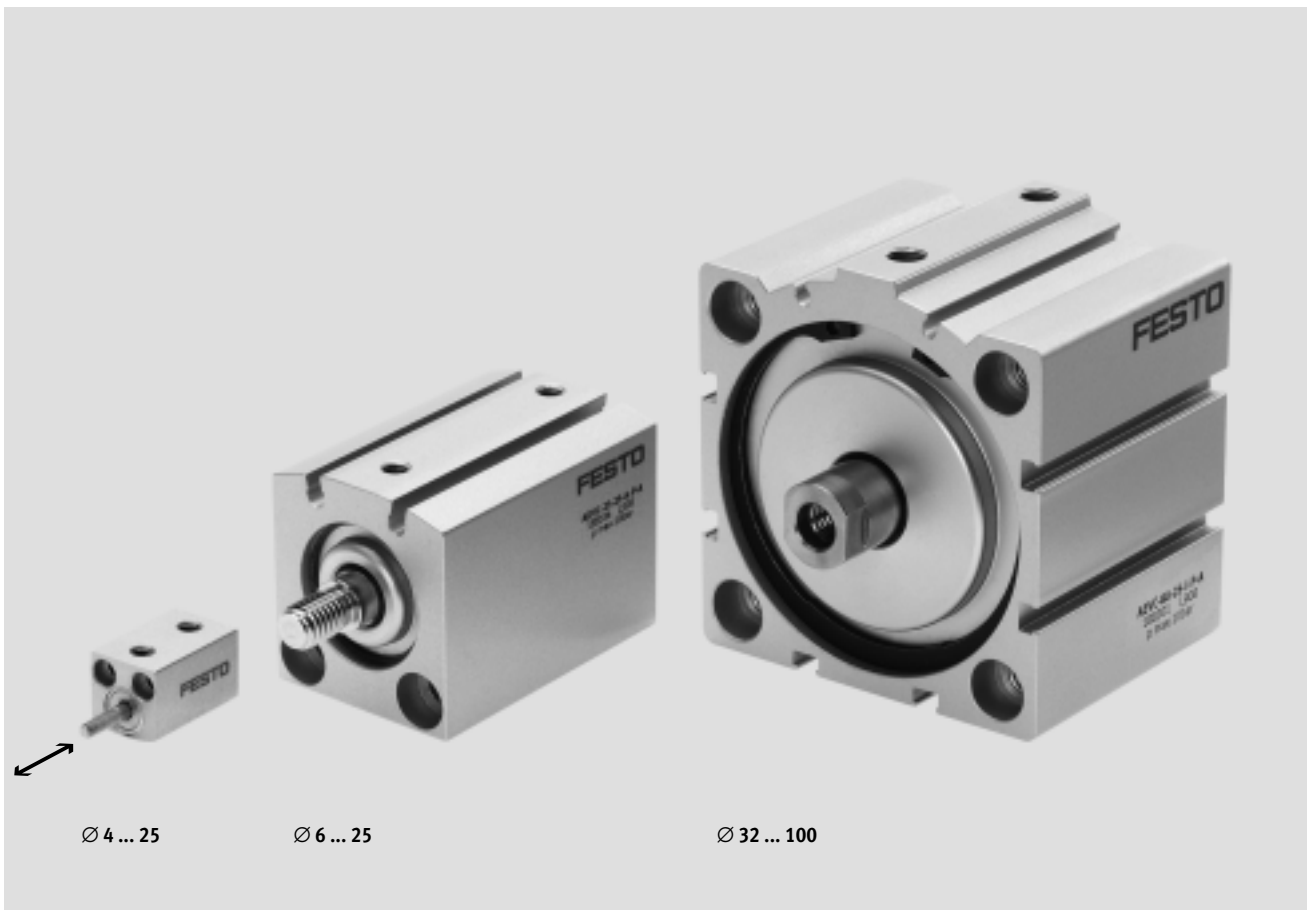
Ready for dispatch in 5 days maximum from stock
Assembled for you in 4 service centres worldwide
Up to 6 x 10¹² variants per product series



Short-stroke cylinders ADVC/AEVC

Key features

FESTO



Brief description

⊘ - Diameter
4 ... 100 mm

- | - Stroke length
2.5 ... 25 mm

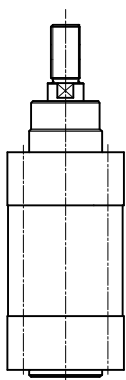
Short-stroke cylinders are ideal for clamping tasks with short strokes, e.g. in retaining devices.

The cylinders offer:

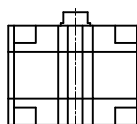
- Rapid response with applied pressure
- Large clamping forces in comparison to their size
- Minimal installation space

- Integrated sensor slots for contacting or contactless proximity sensors
- Mounting hole pattern to VDMA 24562 for Ø 32 ... 100 mm

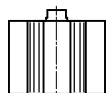
Fitting space comparison with 10 mm stroke



100%
Standard cylinder
DNC

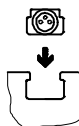


45%
Compact cylinder
ADVU

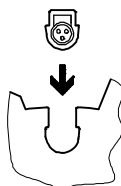


33%
Short-stroke cylinder
ADVC

Sensor slots



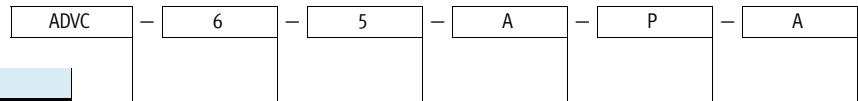
T-slot for proximity sensor
SME/SMT-8



C-slot for proximity sensor SME/
SMT-10

Short-stroke cylinders ADVC/AEVC

Type codes



Type

| | |
|------|-------------------------------------|
| ADVC | Double acting short stroke cylinder |
| AEVC | Single-acting short stroke cylinder |

Piston Ø [mm]

Stroke [mm]

Piston rod thread

| | |
|---|----------------|
| A | Male thread |
| I | Female thread |
| | Without thread |

Cushioning


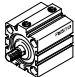
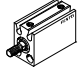
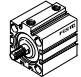

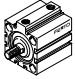
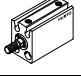
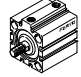
| | |
|---|---|
| P | Flexible cushioning rings/plates at both ends |
|---|---|

Position sensing

| | |
|---|-----------------------|
| | No position sensing |
| A | For proximity sensing |

Short-stroke cylinders ADVC/AEVC

Product range overview

| Function | Version | Type | Piston Ø [mm] | Stroke [mm] | Position sensing |
|---------------------|---|----------------------------|---------------------|-------------------|------------------|
| Double-acting | Without position sensing | | | | |
| |  | ADVC Ø 4 ... 25 | 4 | 2.5; 5 | - |
| | | | 6, 10, 12 | 5, 10 | |
| | | | 16, 20, 25 | 5, 10, 15, 20, 25 | |
| |  | ADVC Ø 32 ... 100 | 32, 40 | 5, 10, 15, 20, 25 | - |
| | | | 50, 63, 80, 100 | 10, 15, 20, 25 | |
| | With position sensing | | | | |
| |  | ADVC-...-A Ø 6 ... 25 | 6, 10, 12 | 5, 10 | ■ |
| | | | 16, 20, 25 | 5, 10, 15, 20, 25 | |
| |  | ADVC-...-A Ø 32 ... 100 | 32, 40 | 5, 10, 15, 20, 25 | ■ |
| 50, 63, 80, 100 | | | 10, 15, 20, 25 | | |
| Single-acting | Without position sensing | | | | |
| |  | AEVC Ø 4 ... 25 | 4 | 2.5; 5 | - |
| | | | 6, 10, 12 | 5, 10 | |
| | | | 16, 20, 25 | 5, 10, 25 | |
| |  | AEVC Ø 32 ... 100 | 32 | 5, 10, 25 | - |
| | | | 40, 50, 63, 80, 100 | 10, 25 | |
| | With position sensing | | | | |
| |  | AEVC-...-A Ø 6 ... 25 | 6, 10, 12 | 5, 10 | ■ |
| | | | 16, 20, 25 | 5, 10, 25 | |
| |  | AEVC-...-A Ø 32 ... 100 | 32 | 5, 10, 25 | ■ |
| 40, 50, 63, 80, 100 | | | 10, 25 | | |

Short-stroke cylinders ADVC/AEVC

Product range overview

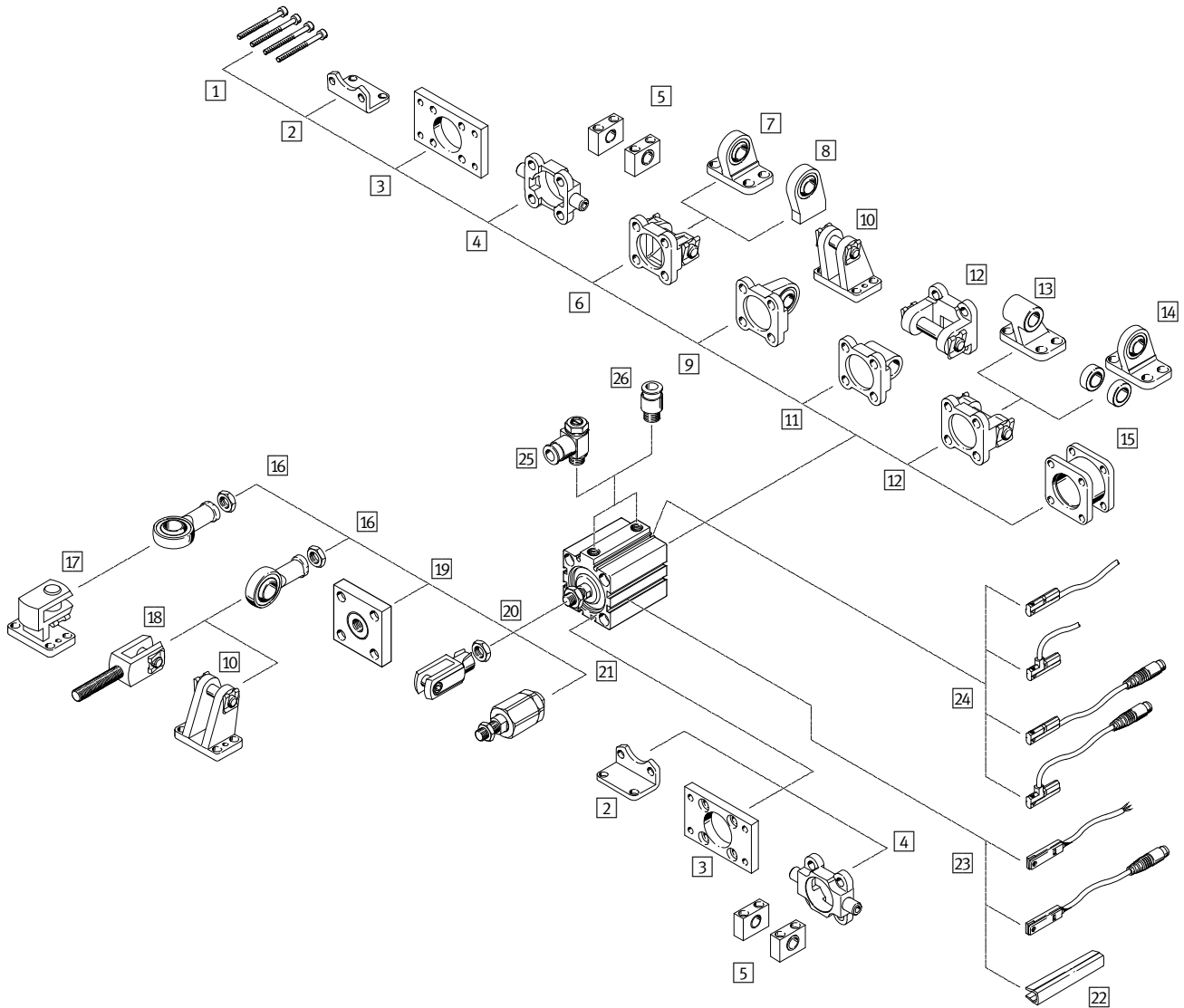
| Type | Piston rod | | | Cushioning | → Page/Internet |
|---------------------------------|------------------|--------------------|-----------------|------------|-----------------|
| | With male thread | With female thread | Without thread | | |
| Without position sensing | | | | | |
| ADVC Ø 4 ... 25 | ■ | ■ From Ø 12 | ■ Ø 4 ... 12 | ■ | 8 |
| ADVC Ø 32 ... 100 | ■ | ■ | - | ■ | 8 |
| With position sensing | | | | | |
| ADVC-...-A Ø 6 ... 25 | ■ | ■ From Ø 12 | ■ Ø 6 ... 12 | ■ | 16 |
| ADVC-...-A Ø 32 ... 100 | ■ | ■ | - | ■ | 16 |
| Without position sensing | | | | | |
| AEVC Ø 4 ... 25 | ■ | ■ From Ø 12 | ■ Ø 4 ... 12 | ■ | 24 |
| AEVC Ø 32 ... 100 | ■ | ■ | - | ■ | 24 |
| With position sensing | | | | | |
| AEVC-...-A Ø 6 ... 25 | ■ | ■ From Ø 12 | ■ Ø 6 ... 12 | ■ | 31 |
| AEVC-...-A Ø 32 ... 100 | ■ | ■ | - | ■ | 31 |

Short-stroke cylinders ADVC/AEVC

Peripherals overview



Ø 32 ... 100 mm



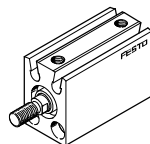
Ø 4 ... 25 mm

Without position sensing



Ø 6 ... 25 mm

With position sensing



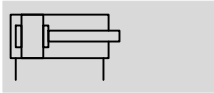
Short-stroke cylinders ADVC/AEVC

Peripherals overview

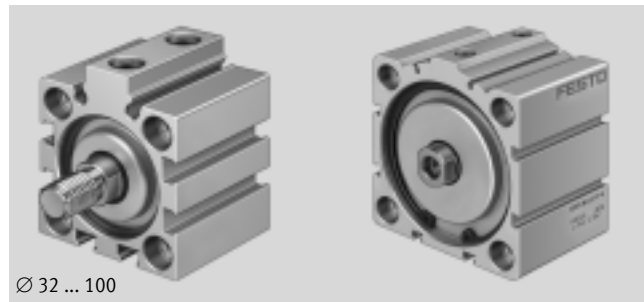
| Mounting attachments and accessories | | | | | | |
|--------------------------------------|---------------------------------|---|---------------|--------------|-----------------|----|
| | Description | Piston Ø | | | → Page/Internet | |
| | | 4, 6, 12 | 10, 16 ... 25 | 32 ... 100 | | |
| 1 | Mounting screws | Not included in scope of delivery | ■ DIN 84 | ■ DIN 912 | ■ DIN 912 | – |
| 1 | Mounting screws for Ø 80, 100 | Not included in scope of delivery | – | – | ■ | 46 |
| 2 | Foot mounting HNC | For bearing and end caps | – | – | ■ | 38 |
| 3 | Flange mounting FNC | For bearing or end caps | – | – | ■ | 39 |
| 4 | Trunnion flange ZNCF | For bearing or end caps | – | – | ■ | 40 |
| 5 | Trunnion support LNZG | – | – | – | ■ | 41 |
| 6 | Swivel flange SNC | For end caps | – | – | ■ | 42 |
| 7 | Clevis foot LSNG | With spherical bearing | – | – | ■ | 46 |
| 8 | Clevis foot LSNSG | Weld-on, with spherical bearing | – | – | ■ | 46 |
| 9 | Swivel flange SNCS | With spherical bearing for end caps | – | – | ■ | 44 |
| 10 | Clevis foot LBG | – | – | – | ■ | 46 |
| 11 | Swivel flange SNCL | For end caps | – | – | ■ | 45 |
| 12 | Swivel flange SNCB | For end caps | – | – | ■ | 43 |
| 13 | Clevis foot LNG | – | – | – | ■ | 46 |
| 14 | Clevis foot LSN | With spherical bearing | – | – | ■ | 46 |
| 15 | Adapter kit DPNC | For connecting two cylinders with identical piston diameter to form a multi-position cylinder | – | – | ■ | 37 |
| 16 | Rod eye SGS | With spherical bearing | – | ■ | ■ | 47 |
| 17 | Right-angle clevis foot LQG | – | – | ■ | ■ | 46 |
| 18 | Rod clevis SGA | With male thread | – | – | ■ | 47 |
| 19 | Coupling piece KSG | For compensating radial deviations | – | – | ■ | 47 |
| 20 | Rod clevis SG | Permits a swivelling movement of the cylinder in one plane | – | ■ | ■ | 47 |
| 21 | Self-aligning rod coupler FK | For compensating radial and angular deviations | ■ Ø 12 | ■ | ■ | 47 |
| 22 | Slot cover ABP-5-S | To protect the sensor cable and keep dirt out of the sensor slots | – | – | ■ | 48 |
| 23 | Proximity sensors SME/SMT-8 | Can be integrated in the cylinder profile barrel | – | – | ■ | 48 |
| 24 | Proximity sensors SME/SMT-10 | Can be integrated in the cylinder profile barrel | – | ■ | ■ | 49 |
| 25 | One-way flow control valve GRLA | To regulate speed | ■ | ■ | ■ | 49 |
| 26 | Push-in fitting QS | For connecting compressed air tubing with standard external diameters | ■ | ■ | ■ | qs |

Short-stroke cylinders ADVC

Technical data, double-acting – without position sensing



- - Diameter
4 ... 100 mm
- - Stroke length
2.5 ... 25 mm



| General technical data | | | | | | | | | | | | | |
|--------------------------------|--|----|----|----|----|----|----|-------------------|------|------|------|------|------|
| Piston Ø | 4 | 6 | 10 | 12 | 16 | 20 | 25 | 32 | 40 | 50 | 63 | 80 | 100 |
| Pneumatic connection | M3 | M3 | M5 | M5 | M5 | M5 | M5 | G1/8 | G1/8 | G1/8 | G1/8 | G1/8 | G1/4 |
| Piston rod with female thread | - | - | - | ■ | ■ | ■ | ■ | ■ | ■ | ■ | ■ | ■ | ■ |
| Piston rod with male thread | ■ | ■ | ■ | ■ | ■ | ■ | ■ | ■ | ■ | ■ | ■ | ■ | ■ |
| Piston rod without thread | ■ | ■ | ■ | ■ | - | - | - | - | - | - | - | - | - |
| Operating medium | Compressed air in accordance with ISO 8573-1:2010 [7:4:4] | | | | | | | | | | | | |
| Note on operating/pilot medium | Operation with lubricated medium possible (in which case lubricated operation will always be required) | | | | | | | | | | | | |
| Constructional design | Piston | | | | | | | | | | | | |
| | Piston rod | | | | | | | | | | | | |
| Cushioning | Flexible cushioning rings/plates at both ends | | | | | | | | | | | | |
| Type of mounting | Via through-holes | | | | | | | Via through-holes | | | | | |
| | - | | | | | | | Via accessories | | | | | |
| Mounting position | Any | | | | | | | | | | | | |

| Operating conditions | | | | | | | | | | | | | |
|--|-------------|-----------|---------|----------|----|----|----|------------|----|----|----|----|-----|
| Piston Ø | 4 | 6 | 10 | 12 | 16 | 20 | 25 | 32 | 40 | 50 | 63 | 80 | 100 |
| Operating pressure [bar] | 2 ... 8 | 1.5 ... 8 | 1 ... 8 | 1 ... 10 | | | | 0.6 ... 10 | | | | | |
| Ambient temperature [°C] | -20 ... +80 | | | | | | | | | | | | |
| Corrosion resistance class CRC ¹⁾ | 1 | | | | | | | | | | | | |

1) Corrosion resistance class CRC 1 to Festo standard FN 940070
Low corrosion stress. For dry indoor applications or transport and storage protection. Also applies to parts behind covers, in the non-visible interior area, and parts which are covered in the application (e.g. drive trunnions).

Short-stroke cylinders ADVC

Technical data, double-acting – without position sensing

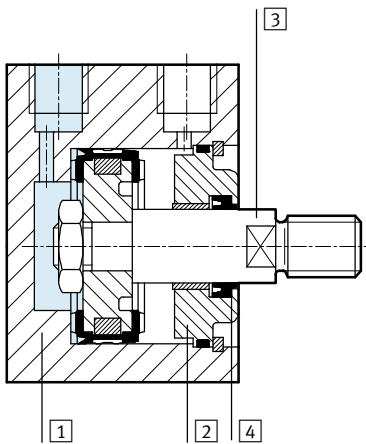
| Forces [N] and impact energy [J] | | | | | | | | | | | | | |
|---------------------------------------|-------|-------|------|------|------|------|------|------|------|------|------|------|------|
| Piston Ø | 4 | 6 | 10 | 12 | 16 | 20 | 25 | 32 | 40 | 50 | 63 | 80 | 100 |
| Theoretical force at 6 bar, advancing | 7.5 | 17 | 47 | 68 | 121 | 189 | 295 | 483 | 754 | 1178 | 1870 | 3016 | 4712 |
| Theoretical force at 6 bar, returning | 5.7 | 13 | 40 | 51 | 91 | 141 | 247 | 415 | 686 | 1056 | 1750 | 2847 | 4418 |
| Max. impact energy at end positions | 0.003 | 0.005 | 0.03 | 0.06 | 0.10 | 0.14 | 0.18 | 0.26 | 0.36 | 0.60 | 0.64 | 0.90 | 1.20 |

| Product weight [g] | | | | | | | | | | | | | |
|--------------------|----------|------|----|----|-----|-----|-----|-----|-----|-----|-----|------|------|
| Stroke [mm] | Piston Ø | | | | | | | | | | | | |
| | 4 | 6 | 10 | 12 | 16 | 20 | 25 | 32 | 40 | 50 | 63 | 80 | 100 |
| 2.5 | 4 | – | – | – | – | – | – | – | – | – | – | – | – |
| 5 | 4.5 | 12.5 | 23 | 34 | 68 | 112 | 135 | 280 | 350 | – | – | – | – |
| 10 | – | 16 | 26 | 42 | 76 | 124 | 150 | 300 | 380 | 470 | 600 | 1570 | 2480 |
| 15 | – | – | – | – | 84 | 136 | 165 | 320 | 410 | 505 | 650 | 1655 | 2570 |
| 20 | – | – | – | – | 92 | 148 | 180 | 340 | 440 | 540 | 700 | 1740 | 2660 |
| 25 | – | – | – | – | 100 | 160 | 195 | 360 | 470 | 575 | 750 | 1825 | 2750 |

| Moving load [g] | | | | | | | | | | | | | |
|-----------------|----------|-----|-----|-----|----|----|----|----|----|-----|-----|-----|-----|
| Stroke [mm] | Piston Ø | | | | | | | | | | | | |
| | 4 | 6 | 10 | 12 | 16 | 20 | 25 | 32 | 40 | 50 | 63 | 80 | 100 |
| 2.5 | 0.2 | – | – | – | – | – | – | – | – | – | – | – | – |
| 5 | 0.25 | 1.2 | 2.8 | 6.6 | 11 | 22 | 27 | 46 | 69 | – | – | – | – |
| 10 | – | 1.5 | 3.3 | 7.7 | 13 | 25 | 30 | 51 | 74 | 127 | 178 | 339 | 719 |
| 15 | – | – | – | – | 15 | 28 | 33 | 56 | 79 | 135 | 186 | 351 | 739 |
| 20 | – | – | – | – | 17 | 31 | 36 | 61 | 84 | 143 | 194 | 363 | 759 |
| 25 | – | – | – | – | 19 | 34 | 39 | 66 | 89 | 151 | 202 | 375 | 779 |

Materials

Sectional view



| Short-stroke cylinder | Ø 4 | Ø 6 ... 100 |
|-----------------------|-------------------------|-------------------------|
| 1 Cylinder barrel | Anodised aluminium | Anodised aluminium |
| 2 Cover cap | Anodised aluminium | Anodised aluminium |
| 3 Piston rod | Anodised aluminium | High-alloy steel |
| 4 Rod seal | Nitrile rubber | Polyurethane |
| Note on material | Free of copper and PTFE | Free of copper and PTFE |

Short-stroke cylinders ADVC

Technical data, double-acting – without position sensing

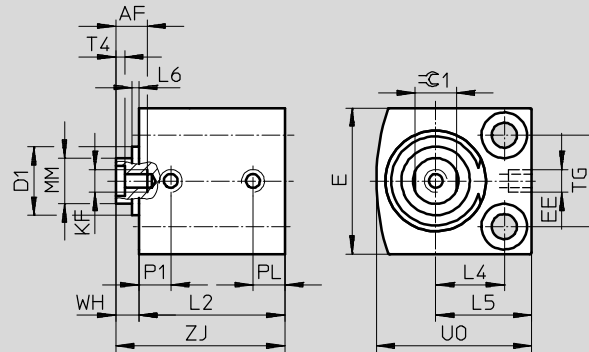
Dimensions

Download CAD data → www.festo.com

Ø 4 ... 25 mm

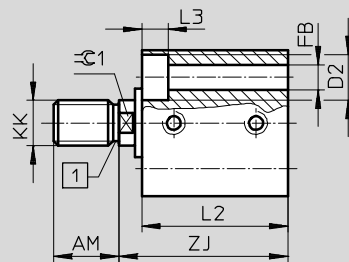
ADVC-...-I-P

Piston rod with female thread



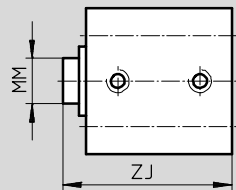
ADVC-...-A-P

Piston rod with male thread



ADVC-...-P

Piston rod without thread



Note

Ø 4 mm

Do not exceed maximum screw-in depth of 3 mm and maximum tightening torque of 0.7 Nm.

Ø 10 mm

Depending on tolerance, the bearing cap may project by up to 0.65 mm.

Ø 12 mm

Depending on tolerance, the bearing cap may project by up to 0.35 mm.

1 No undercut with diameter 4/6/10.

Short-stroke cylinders ADVC

Technical data, double-acting – without position sensing

| ∅ [mm] | Stroke [mm] | AF min. | AM -0.5 | D1 ∅ max. | D2 ∅ | E max. | EE | FB ∅ | KF | KK | L2 +0.2 | L3 |
|-----------|----------------|------------|------------|-----------------|----------|-----------|----|---------|----|----|------------|-----|
| 4 | 2.5 | - | 6 | - | 3.3 +0.1 | 10 | M3 | 1.8 | - | M2 | 13 | 1.8 |
| | 5 | | | | | | | | | | 15.5 | |
| 6 | 5 | - | 6 | - | 5 +0.1 | 13 | M3 | 2.9 | - | M3 | 16 | 2.9 |
| | 10 | | | | | | | | | | 21 | |
| 10 | 5 | - | 8 | 7.5 | 5.8 +0.1 | 18 | M5 | 3.4 | - | M4 | 21 | 3.4 |
| | 10 | | | | | | | | | | 24 | |
| 12 | 5 | 8 | 8 | 10.7 | 6 H13 | 20 | M5 | 3.4 | M3 | M5 | 23 | 3.4 |
| | 10 | | | | | | | | | | 28 | |
| 16 | 5 | 10 | 12 | - | 8 H13 | 25 | M5 | 4.5 | M4 | M6 | 23 | 4.6 |
| | 10 | | | | | | | | | | 28 | |
| | 15 | | | | | | | | | | 33 | |
| | 20 | | | | | | | | | | 38 | |
| | 25 | | | | | | | | | | 43 | |
| 20 | 5 | 12 | 12 | - | 10 H13 | 32 | M5 | 5.5 | M5 | M8 | 27 | 5.7 |
| | 10 | | | | | | | | | | 32 | |
| | 15 | | | | | | | | | | 37 | |
| | 20 | | | | | | | | | | 42 | |
| | 25 | | | | | | | | | | 47 | |
| 25 | 5 | 12 | 12 | - | 10 H13 | 38 | M5 | 5.5 | M5 | M8 | 27.5 | 5.7 |
| | 10 | | | | | | | | | | 32.5 | |
| | 15 | | | | | | | | | | 37.5 | |
| | 20 | | | | | | | | | | 42.5 | |
| | 25 | | | | | | | | | | 47.5 | |

| ∅ [mm] | Stroke [mm] | L4 | L5 | L6 max. | MM ∅ | P1 | PL | T4 | TG ±0.1 | UO max. | WH | ZJ ±0.8 | ≙C1 |
|-----------|----------------|------|------|------------|---------|------|------|-----|------------|------------|-----|------------|-----|
| 4 | 2.5 | 4 | 6.5 | - | 2 | 3.7 | 3.2 | - | 5.8 | 10 | 1 | 14 | - |
| | 5 | | | | | | | | | | | 16.5 | |
| 6 | 5 | 6 | 9 | - | 3 | 4.7 | 3 | - | 7 | 14 | 1 | 17 | - |
| | 10 | | | | | | | | | | | 22 | |
| 10 | 5 | 8 | 11.5 | 0.7 | 4 | 5.2 | 5.2 | - | 11 | 19 | 1.5 | 22.5 | - |
| | 10 | | | | | 6 | 5.5 | | | | | 25.5 | |
| 12 | 5 | 9 | 13 | 0.4 | 6 | 5.75 | 5.75 | 1.5 | 13 | 22 | 4 | 27 | 5 |
| | 10 | | | | | 9 | 6 | | | | | 32 | |
| 16 | 5 | 11.5 | 16.5 | - | 8 | 6 | 6 | 2 | 15 | 27 | 4 | 27 | 7 |
| | 10 | | | | | 32 | | | | | | | |
| | 15 | | | | | 37 | | | | | | | |
| | 20 | | | | | 42 | | | | | | | |
| | 25 | | | | | 47 | | | | | | | |
| 20 | 5 | 15 | 21 | - | 10 | 7.5 | 7 | 2 | 20 | 34 | 5 | 32 | 9 |
| | 10 | | | | | | | | | | | 37 | |
| | 15 | | | | | | | | | | | 42 | |
| | 20 | | | | | | | | | | | 47 | |
| | 25 | | | | | | | | | | | 52 | |
| 25 | 5 | 15.5 | 21.5 | - | 10 | 8 | 6.5 | 2 | 26 | 37 | 5 | 32.5 | 9 |
| | 10 | | | | | | | | | | | 37.5 | |
| | 15 | | | | | | | | | | | 42.5 | |
| | 20 | | | | | | | | | | | 47.5 | |
| | 25 | | | | | | | | | | | 52.5 | |

Short-stroke cylinders ADVC

Technical data, double-acting – without position sensing



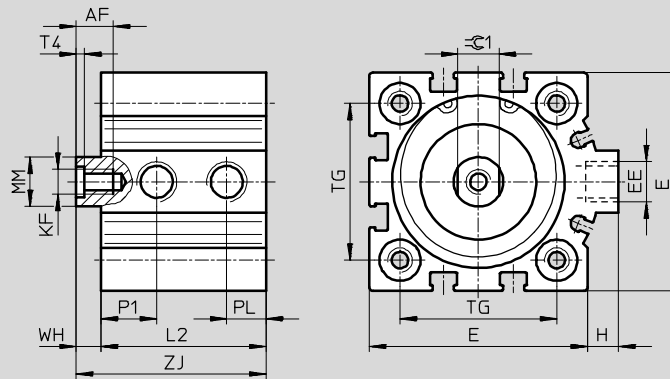
Dimensions

Download CAD data → www.festo.com

∅ 32 ... 100 mm

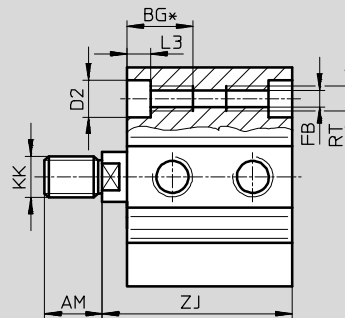
ADVC-...-I-P

Piston rod with female thread



ADVC-...-A-P**

Piston rod with male thread



| ∅ | AF | AM | BG* | D2 | E | EE | FB | H | KF | KK |
|------|------|------|------|---------|------|-----------------|-----|-----|-----|----------|
| [mm] | min. | -0.5 | min. | ∅ F9 | max. | | ∅ | | | |
| 32 | 12 | 14 | 21.7 | 9 | 45 | G $\frac{1}{8}$ | 5.2 | 7 | M6 | M10x1.25 |
| 40 | 12 | 14 | 21.7 | 9 | 53.5 | G $\frac{1}{8}$ | 5.2 | 7 | M6 | M10x1.25 |
| 50 | 16 | 16 | 22.8 | 11 | 63.5 | G $\frac{1}{8}$ | 6.8 | 7 | M8 | M12x1.25 |
| 63 | 16 | 16 | 22.8 | 11 | 75 | G $\frac{1}{8}$ | 6.8 | 7.5 | M8 | M12x1.25 |
| 80 | 20 | 22 | 25 | 14 | 93 | G $\frac{1}{8}$ | 8.5 | 7 | M10 | M16x1.5 |
| 100 | 24 | 28 | 25 | 14 | 113 | G $\frac{1}{4}$ | 8.5 | 13 | M12 | M20x1.5 |

* Continuous thread with short overall length

** Nut for piston rod thread included in scope of delivery

Short-stroke cylinders ADVC

Technical data, double-acting – without position sensing


| ∅ [mm] | Stroke [mm] | L2 +0.2 | L3 | MM ∅ | P1 | PL | RT | T4 | TG ±0.1 | WH | ZJ ±0.8 | ≈G1 |
|-----------|----------------|------------|-----|---------|------|------|-----|-----|------------|----|------------|-----|
| 32 | 5 | 34 | 5.7 | 12 | 9 | 8.5 | M6 | 2.6 | 32.5 | 6 | 40 | 10 |
| | 10 | 39 | | | | | | | | | 45 | |
| | 15 | 44 | | | | | | | | | 50 | |
| | 20 | 49 | | | | | | | | | 55 | |
| | 25 | 54 | | | | | | | | | 60 | |
| 40 | 5 | 34.5 | 5.7 | 12 | 11 | 9 | M6 | 2.6 | 38 | 6 | 40.5 | 10 |
| | 10 | 39.5 | | | | | | | | | 45.5 | |
| | 15 | 44.5 | | | | | | | | | 50.5 | |
| | 20 | 49.5 | | | | | | | | | 55.5 | |
| | 25 | 54.5 | | | | | | | | | 60.5 | |
| 50 | 10 | 38 | 6.8 | 16 | 11.3 | 9.5 | M8 | 3.3 | 46.5 | 8 | 46 | 13 |
| | 15 | 43 | | | | | | | | | 51 | |
| | 20 | 48 | | | | | | | | | 56 | |
| | 25 | 53 | | | | | | | | | 61 | |
| 63 | 10 | 45 | 6.8 | 16 | 12.5 | 11.5 | M8 | 3.3 | 56.5 | 8 | 53 | 13 |
| | 15 | 50 | | | | | | | | | 58 | |
| | 20 | 55 | | | | | | | | | 63 | |
| | 25 | 60 | | | | | | | | | 68 | |
| 80 | 10 | 50 | 9 | 20 | 15 | 15 | M10 | 4.7 | 72 | 8 | 58 | 17 |
| | 15 | 55 | | | | | | | | | 63 | |
| | 20 | 60 | | | | | | | | | 68 | |
| | 25 | 65 | | | | | | | | | 73 | |
| 100 | 10 | 59 | 9 | 25 | 16.5 | 19 | M10 | 6.1 | 89 | 10 | 69 | 22 |
| | 15 | 64 | | | | | | | | | 74 | |
| | 20 | 69 | | | | | | | | | 79 | |
| | 25 | 74 | | | | | | | | | 84 | |

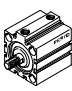
Short-stroke cylinders ADVC

Technical data, double-acting – without position sensing

FESTO

★ Core product range

| Ordering data | | | | | | |
|---|------------------|----------------|--------------------------------|----------------|----------------------------------|----------------|
| Type | Piston Ø [mm] | Stroke [mm] | Piston rod with male thread | | Piston rod with female thread | |
| | | | Part No. | Type | Part No. | Type |
|  | 12 | 5 | ★ 188094 | ADVC-12-5-A-P | ★ 188090 | ADVC-12-5-I-P |
| | | 10 | ★ 188095 | ADVC-12-10-A-P | ★ 188091 | ADVC-12-10-I-P |
| | 16 | 5 | ★ 188123 | ADVC-16-5-A-P | ★ 188113 | ADVC-16-5-I-P |
| | | 10 | ★ 188124 | ADVC-16-10-A-P | ★ 188114 | ADVC-16-10-I-P |
| | | 15 | ★ 188125 | ADVC-16-15-A-P | ★ 188115 | ADVC-16-15-I-P |
| | | 20 | ★ 188126 | ADVC-16-20-A-P | ★ 188116 | ADVC-16-20-I-P |
| | | 25 | ★ 188127 | ADVC-16-25-A-P | ★ 188117 | ADVC-16-25-I-P |
| | 20 | 5 | ★ 188155 | ADVC-20-5-A-P | ★ 188145 | ADVC-20-5-I-P |
| | | 10 | ★ 188156 | ADVC-20-10-A-P | ★ 188146 | ADVC-20-10-I-P |
| | | 15 | ★ 188157 | ADVC-20-15-A-P | ★ 188147 | ADVC-20-15-I-P |
| | | 20 | ★ 188158 | ADVC-20-20-A-P | ★ 188148 | ADVC-20-20-I-P |
| | | 25 | ★ 188159 | ADVC-20-25-A-P | ★ 188149 | ADVC-20-25-I-P |
| | 25 | 5 | ★ 188187 | ADVC-25-5-A-P | ★ 188177 | ADVC-25-5-I-P |
| | | 10 | ★ 188188 | ADVC-25-10-A-P | ★ 188178 | ADVC-25-10-I-P |
| | | 15 | ★ 188189 | ADVC-25-15-A-P | ★ 188179 | ADVC-25-15-I-P |
| | | 20 | ★ 188190 | ADVC-25-20-A-P | ★ 188180 | ADVC-25-20-I-P |
| | | 25 | ★ 188191 | ADVC-25-25-A-P | ★ 188181 | ADVC-25-25-I-P |


| Ordering data | | | | | | |
|---|------------------|----------------|--------------------------------|----------------|----------------------------------|----------------|
| Type | Piston Ø [mm] | Stroke [mm] | Piston rod with male thread | | Piston rod with female thread | |
| | | | Part No. | Type | Part No. | Type |
|  | 32 | 5 | ★ 188219 | ADVC-32-5-A-P | ★ 188209 | ADVC-32-5-I-P |
| | | 10 | ★ 188220 | ADVC-32-10-A-P | ★ 188210 | ADVC-32-10-I-P |
| | | 15 | ★ 188221 | ADVC-32-15-A-P | ★ 188211 | ADVC-32-15-I-P |
| | | 20 | ★ 188222 | ADVC-32-20-A-P | ★ 188212 | ADVC-32-20-I-P |
| | | 25 | ★ 188223 | ADVC-32-25-A-P | ★ 188213 | ADVC-32-25-I-P |
| | 40 | 5 | ★ 188247 | ADVC-40-5-A-P | ★ 188237 | ADVC-40-5-I-P |
| | | 10 | ★ 188248 | ADVC-40-10-A-P | ★ 188238 | ADVC-40-10-I-P |
| | | 15 | ★ 188249 | ADVC-40-15-A-P | ★ 188239 | ADVC-40-15-I-P |
| | | 20 | ★ 188250 | ADVC-40-20-A-P | ★ 188240 | ADVC-40-20-I-P |
| | | 25 | ★ 188251 | ADVC-40-25-A-P | ★ 188241 | ADVC-40-25-I-P |
| | 50 | 10 | ★ 188272 | ADVC-50-10-A-P | ★ 188264 | ADVC-50-10-I-P |
| | | 15 | ★ 188273 | ADVC-50-15-A-P | ★ 188265 | ADVC-50-15-I-P |
| | | 20 | ★ 188274 | ADVC-50-20-A-P | ★ 188266 | ADVC-50-20-I-P |
| | | 25 | ★ 188275 | ADVC-50-25-A-P | ★ 188267 | ADVC-50-25-I-P |
| | 63 | 10 | ★ 188296 | ADVC-63-10-A-P | ★ 188288 | ADVC-63-10-I-P |
| | | 15 | ★ 188297 | ADVC-63-15-A-P | ★ 188289 | ADVC-63-15-I-P |
| | | 20 | ★ 188298 | ADVC-63-20-A-P | ★ 188290 | ADVC-63-20-I-P |
| | | 25 | ★ 188299 | ADVC-63-25-A-P | ★ 188291 | ADVC-63-25-I-P |

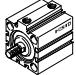
Festo core product range

- ★ Ready for dispatch from the Festo factory in 24 hours
- ☆ Ready for dispatch in 5 days maximum from stock

Short-stroke cylinders ADVC

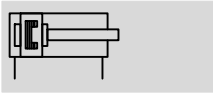
Technical data, double-acting – without position sensing

| Ordering data | | | | | | |
|---|------------------|----------------|--------------------------------|-----------------------|------------------------------|---------------------|
| Type | Piston Ø [mm] | Stroke [mm] | Piston rod with male thread | | Piston rod without thread | |
| | | | Part No. | Type | Part No. | Type |
|  | 4 | 2.5 | 188054 | ADVC-4-2,5-A-P | 526897 | ADVC-4-2,5-P |
| | | 5 | 188055 | ADVC-4-5-A-P | 526898 | ADVC-4-5-P |
| | 6 | 5 | 188066 | ADVC-6-5-A-P | 526899 | ADVC-6-5-P |
| | | 10 | 188067 | ADVC-6-10-A-P | 526900 | ADVC-6-10-P |
| | 10 | 5 | 188078 | ADVC-10-5-A-P | 526903 | ADVC-10-5-P |
| | | 10 | 188079 | ADVC-10-10-A-P | 526904 | ADVC-10-10-P |
| | 12 | 5 | – | | 530568 | ADVC-12-5-P |
| | | 10 | | | 530569 | ADVC-12-10-P |

| Ordering data | | | | | | |
|---|------------------|----------------|--------------------------------|------------------------|----------------------------------|------------------------|
| Type | Piston Ø [mm] | Stroke [mm] | Piston rod with male thread | | Piston rod with female thread | |
| | | | Part No. | Type | Part No. | Type |
|  | 80 | 10 | 188320 | ADVC-80-10-A-P | 188312 | ADVC-80-10-I-P |
| | | 15 | 188321 | ADVC-80-15-A-P | 188313 | ADVC-80-15-I-P |
| | | 20 | 188322 | ADVC-80-20-A-P | 188314 | ADVC-80-20-I-P |
| | | 25 | 188323 | ADVC-80-25-A-P | 188315 | ADVC-80-25-I-P |
| | 100 | 10 | 188344 | ADVC-100-10-A-P | 188336 | ADVC-100-10-I-P |
| | | 15 | 188345 | ADVC-100-15-A-P | 188337 | ADVC-100-15-I-P |
| | | 20 | 188346 | ADVC-100-20-A-P | 188338 | ADVC-100-20-I-P |
| | | 25 | 188347 | ADVC-100-25-A-P | 188339 | ADVC-100-25-I-P |

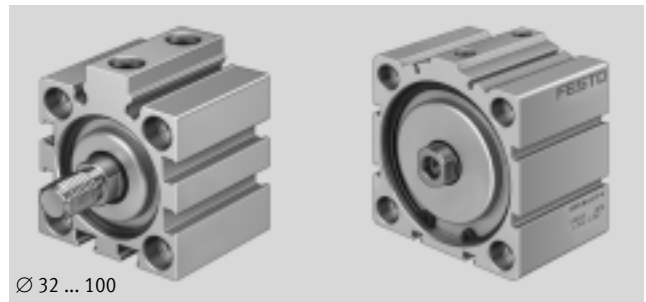
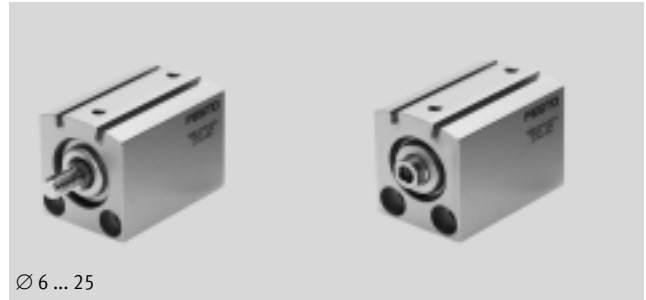
Short-stroke cylinders ADVC

Technical data, double-acting – with position sensing



- Diameter
6 ... 100 mm

- Stroke length
5 ... 25 mm



| General technical data | | | | | | | | | | | | |
|--------------------------------|--|----|----|----|----|----|-------------------|------|------|------|------|------|
| Piston Ø | 6 | 10 | 12 | 16 | 20 | 25 | 32 | 40 | 50 | 63 | 80 | 100 |
| Pneumatic connection | M3 | M5 | M5 | M5 | M5 | M5 | G1/8 | G1/8 | G1/8 | G1/8 | G1/8 | G1/4 |
| Piston rod with female thread | – | – | ■ | ■ | ■ | ■ | ■ | ■ | ■ | ■ | ■ | ■ |
| Piston rod with male thread | ■ | ■ | ■ | ■ | ■ | ■ | ■ | ■ | ■ | ■ | ■ | ■ |
| Piston rod without thread | ■ | ■ | ■ | – | – | – | – | – | – | – | – | – |
| Operating medium | Compressed air in accordance with ISO 8573-1:2010 [7:4:4] | | | | | | | | | | | |
| Note on operating/pilot medium | Operation with lubricated medium possible (in which case lubricated operation will always be required) | | | | | | | | | | | |
| Constructional design | Piston | | | | | | | | | | | |
| | Piston rod | | | | | | | | | | | |
| Cushioning | Flexible cushioning rings/plates at both ends | | | | | | | | | | | |
| Position sensing | For proximity sensing | | | | | | | | | | | |
| Type of mounting | Via through-holes | | | | | | Via through-holes | | | | | |
| | – | | | | | | Via accessories | | | | | |
| Mounting position | Any | | | | | | | | | | | |

| Operating conditions | | | | | | | | | | | | |
|--|---|---------|----------|----|----|----|------------|----|----|----|----|-----|
| Piston Ø | 6 | 10 | 12 | 16 | 20 | 25 | 32 | 40 | 50 | 63 | 80 | 100 |
| Operating pressure [bar] | 1.5 ... 8 | 1 ... 8 | 1 ... 10 | | | | 0.6 ... 10 | | | | | |
| Ambient temperature [°C] | –20 ... +80 (note operating range of proximity sensors) | | | | | | | | | | | |
| Corrosion resistance class CRC ¹⁾ | 1 | | | | | | | | | | | |

1) Corrosion resistance class CRC 1 to Festo standard FN 940070
Low corrosion stress. For dry indoor applications or transport and storage protection. Also applies to parts behind covers, in the non-visible interior area, and parts which are covered in the application (e.g. drive trunnions).

Short-stroke cylinders ADVC

Technical data, double-acting – with position sensing

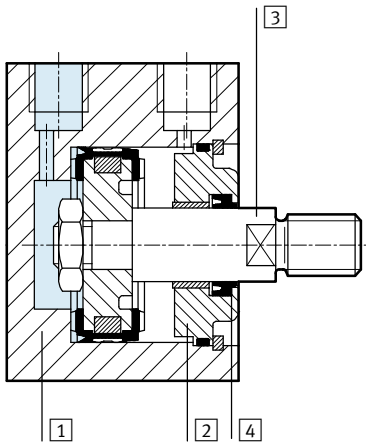
| Forces [N] and impact energy [J] | | | | | | | | | | | | |
|---------------------------------------|-------|------|------|------|------|------|------|------|------|------|------|------|
| Piston Ø | 6 | 10 | 12 | 16 | 20 | 25 | 32 | 40 | 50 | 63 | 80 | 100 |
| Theoretical force at 6 bar, advancing | 17 | 47 | 68 | 121 | 189 | 295 | 483 | 754 | 1178 | 1870 | 3016 | 4712 |
| Theoretical force at 6 bar, returning | 13 | 40 | 51 | 91 | 141 | 247 | 415 | 686 | 1056 | 1750 | 2847 | 4418 |
| Max. impact energy at end positions | 0.005 | 0.03 | 0.06 | 0.10 | 0.14 | 0.18 | 0.26 | 0.36 | 0.60 | 0.64 | 0.90 | 1.20 |

| Product weight [g] | | | | | | | | | | | | |
|--------------------|----------|----|----|-----|-----|-----|-----|-----|-----|-----|------|------|
| Stroke [mm] | Piston Ø | | | | | | | | | | | |
| | 6 | 10 | 12 | 16 | 20 | 25 | 32 | 40 | 50 | 63 | 80 | 100 |
| 5 | 20 | 37 | 70 | 98 | 162 | 195 | 320 | 460 | – | – | – | – |
| 10 | 23 | 45 | 79 | 106 | 174 | 210 | 340 | 490 | 630 | 710 | 1940 | 2970 |
| 15 | – | – | – | 114 | 186 | 225 | 360 | 520 | 665 | 760 | 2025 | 3060 |
| 20 | – | – | – | 122 | 198 | 240 | 380 | 550 | 700 | 810 | 2110 | 3150 |
| 25 | – | – | – | 130 | 210 | 255 | 400 | 580 | 735 | 860 | 2195 | 3240 |

| Moving load [g] | | | | | | | | | | | | |
|-----------------|----------|-----|-----|----|----|----|----|----|-----|-----|-----|-----|
| Stroke [mm] | Piston Ø | | | | | | | | | | | |
| | 6 | 10 | 12 | 16 | 20 | 25 | 32 | 40 | 50 | 63 | 80 | 100 |
| 5 | 1.7 | 3.2 | 8.5 | 15 | 26 | 32 | 50 | 66 | – | – | – | – |
| 10 | 2 | 3.7 | 9.6 | 17 | 29 | 35 | 55 | 71 | 116 | 158 | 289 | 555 |
| 15 | – | – | – | 19 | 32 | 38 | 60 | 76 | 124 | 166 | 301 | 575 |
| 20 | – | – | – | 21 | 35 | 41 | 65 | 81 | 132 | 174 | 313 | 595 |
| 25 | – | – | – | 23 | 38 | 44 | 70 | 86 | 140 | 182 | 325 | 615 |

Materials

Sectional view



| Short-stroke cylinder | |
|---|---------------------------------------|
| 1 | Cylinder barrel Anodised aluminium |
| 2 | Cover cap Anodised aluminium |
| 3 | Piston rod High-alloy steel |
| 4 | Rod seal Polyurethane |
| Note on material Free of copper and PTFE | |

Short-stroke cylinders ADVC

Technical data, double-acting – with position sensing

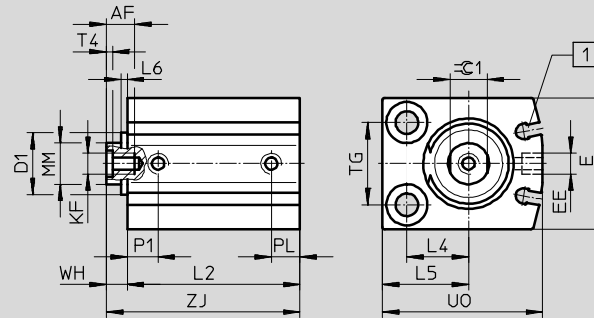


Dimensions

∅ 6 ... 25 mm

Download CAD data → www.festo.com

ADVC-...-I-P-A
Piston rod with female thread



- Note

∅ 10 mm

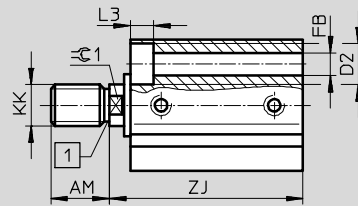
Depending on tolerance, the bearing cap may project by up to 0.65 mm.

∅ 12 mm

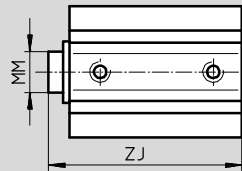
Depending on tolerance, the bearing cap may project by up to 0.35 mm.

1 No undercut with diameter 6/10.

ADVC-...-A-P-A
Piston rod with male thread



ADVC-...-P-A
Piston rod without thread



1 Slot for proximity sensor SME/SMT-10

| ∅ [mm] | Stroke [mm] | AF min. | AM -0.5 | D1 ∅ max. | D2 ∅ | E max. | EE | FB ∅ | KF | KK | L2 +0.2 | L3 |
|-----------|----------------|------------|------------|-----------------|----------|-----------|----|---------|----|----|------------|-----|
| 6 | 5 | - | 6 | - | 5 +0.1 | 16 | M3 | 2.9 | - | M3 | 25.5 | 2.9 |
| | 10 | | | | | | | | | | 30.5 | |
| 10 | 5 | - | 8 | 7.5 | 5.8 +0.1 | 21 | M5 | 3.4 | - | M4 | 27 | 3.4 |
| | 10 | | | | | | | | | | 32 | |
| 12 | 5 | 8 | 8 | 10.7 | 6 H13 | 24 | M5 | 3.4 | M3 | M5 | 36 | 3.4 |
| | 10 | | | | | | | | | | 41 | |
| 16 | 5 | 10 | 12 | - | 8 H13 | 28 | M5 | 4.5 | M4 | M6 | 35 | 4.6 |
| | 10 | | | | | | | | | | 40 | |
| | 15 | | | | | | | | | | 45 | |
| | 20 | | | | | | | | | | 50 | |
| 20 | 5 | 12 | 12 | - | 10 H13 | 32 | M5 | 5.5 | M5 | M8 | 37 | 5.7 |
| | 10 | | | | | | | | | | 42 | |
| | 15 | | | | | | | | | | 47 | |
| | 20 | | | | | | | | | | 52 | |
| 25 | 5 | 12 | 12 | - | 10 H13 | 38 | M5 | 5.5 | M5 | M8 | 37 | 5.7 |
| | 10 | | | | | | | | | | 42 | |
| | 15 | | | | | | | | | | 47 | |
| | 20 | | | | | | | | | | 52 | |
| 25 | 25 | 12 | 12 | - | 10 H13 | 38 | M5 | 5.5 | M5 | M8 | 57 | 5.7 |
| | 25 | | | | | | | | | | 57 | |

Short-stroke cylinders ADVC

Technical data, double-acting – with position sensing

| ∅ [mm] | Stroke [mm] | L4 | L5 | L6 max. | MM ∅ | P1 | PL | T4 | TG ±0.1 | U0 max. | WH | ZJ ±0.8 | ⊖1 |
|-----------|----------------|------|------|------------|---------|-----|----|-----|------------|------------|-----|------------|----|
| 6 | 5 | 5 | 8 | - | 3 | 5.2 | 3 | - | 10 | 16 | 1 | 26.5 | - |
| | 10 | | | | | | | | | | | 31.5 | |
| 10 | 5 | 7 | 10.5 | 0.7 | 4 | 6 | 6 | - | 14 | 22 | 1.5 | 28.5 | - |
| | 10 | | | | | | | | | | | 33.5 | |
| 12 | 5 | 8 | 12 | 0.4 | 6 | 7 | 6 | 1.5 | 16 | 26 | 4 | 40 | 5 |
| | 10 | | | | | | | | | | | 45 | |
| 16 | 5 | 12 | 17 | - | 8 | 8 | 6 | 2 | 18 | 32 | 4 | 39 | 7 |
| | 10 | | | | | | | | | | | 44 | |
| | 15 | | | | | | | | | | | 49 | |
| | 20 | | | | | | | | | | | 54 | |
| | 25 | | | | | | | | | | | 59 | |
| 20 | 5 | 15 | 21 | - | 10 | 7.5 | 7 | 2 | 20 | 39 | 5 | 42 | 9 |
| | 10 | | | | | | | | | | | 47 | |
| | 15 | | | | | | | | | | | 52 | |
| | 20 | | | | | | | | | | | 57 | |
| | 25 | | | | | | | | | | | 62 | |
| 25 | 5 | 15.5 | 21.5 | - | 10 | 10 | 6 | 2 | 26 | 42 | 5 | 42 | 9 |
| | 10 | | | | | | | | | | | 47 | |
| | 15 | | | | | | | | | | | 52 | |
| | 20 | | | | | | | | | | | 57 | |
| | 25 | | | | | | | | | | | 62 | |

Short-stroke cylinders ADVC

Technical data, double-acting – with position sensing



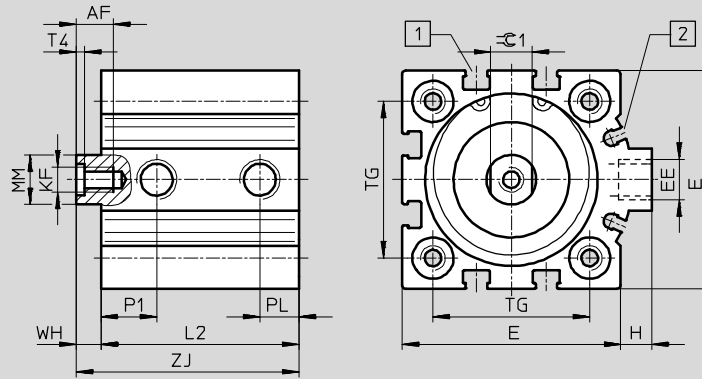
Dimensions

Download CAD data → www.festo.com

∅ 32 ... 100 mm

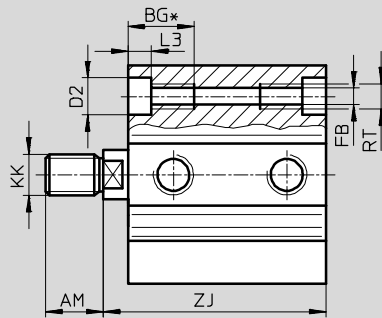
ADVC-...-I-P-A

Piston rod with female thread



ADVC-...-A-P-A**

Piston rod with male thread



- 1 Slot for proximity sensor SME/SMT-8
- 2 Slot for proximity sensor SME/SMT-10

| ∅ | AF | AM | BG* | D2 | E | EE | FB | H | KF | KK |
|------|------|------|------|------|------|-----------------|-----|-----|-----|----------|
| [mm] | min. | -0.5 | min. | ∅ F9 | max. | | ∅ | | | |
| 32 | 12 | 14 | 21.7 | 9 | 45 | G $\frac{1}{8}$ | 5.2 | 7 | M6 | M10x1.25 |
| 40 | 12 | 14 | 21.7 | 9 | 53.5 | G $\frac{1}{8}$ | 5.2 | 7 | M6 | M10x1.25 |
| 50 | 16 | 16 | 22.8 | 11 | 63.5 | G $\frac{1}{8}$ | 6.8 | 7 | M8 | M12x1.25 |
| 63 | 16 | 16 | 22.8 | 11 | 75 | G $\frac{1}{8}$ | 6.8 | 7.5 | M8 | M12x1.25 |
| 80 | 20 | 22 | 25 | 14 | 93 | G $\frac{1}{8}$ | 8.5 | 7 | M10 | M16x1.5 |
| 100 | 24 | 28 | 25 | 14 | 113 | G $\frac{1}{4}$ | 8.5 | 13 | M12 | M20x1.5 |

* Continuous thread with short overall length

** Nut for piston rod thread included in scope of delivery

Short-stroke cylinders ADVC

Technical data, double-acting – with position sensing

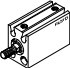
| ∅ [mm] | Stroke [mm] | L2 +0.2 | L3 | MM ∅ | P1 | PL | RT | T4 | TG ±0.1 | WH | ZJ ±0.8 | ≈1 |
|-----------|----------------|------------|-----|---------|------|------|-----|-----|------------|----|------------|----|
| 32 | 5 | 38 | 5.7 | 12 | 9 | 8.5 | M6 | 2.6 | 32.5 | 6 | 44 | 10 |
| | 10 | 43 | | | | | | | | | 49 | |
| | 15 | 48 | | | | | | | | | 54 | |
| | 20 | 53 | | | | | | | | | 59 | |
| | 25 | 58 | | | | | | | | | 64 | |
| 40 | 5 | 43 | 5.7 | 12 | 13.5 | 9.5 | M6 | 2.6 | 38 | 6 | 49 | 10 |
| | 10 | 48 | | | | | | | | | 54 | |
| | 15 | 53 | | | | | | | | | 59 | |
| | 20 | 58 | | | | | | | | | 64 | |
| | 25 | 63 | | | | | | | | | 69 | |
| 50 | 10 | 48 | 6.8 | 16 | 11.3 | 9.5 | M8 | 3.3 | 46.5 | 8 | 56 | 13 |
| | 15 | 53 | | | | | | | | | 61 | |
| | 20 | 58 | | | | | | | | | 66 | |
| | 25 | 63 | | | | | | | | | 71 | |
| 63 | 10 | 51 | 6.8 | 16 | 12.5 | 10.5 | M8 | 3.3 | 56.5 | 8 | 59 | 13 |
| | 15 | 56 | | | | | | | | | 64 | |
| | 20 | 61 | | | | | | | | | 69 | |
| | 25 | 66 | | | | | | | | | 74 | |
| 80 | 10 | 59 | 9 | 20 | 15 | 8.5 | M10 | 4.7 | 72 | 8 | 67 | 17 |
| | 15 | 64 | | | | | | | | | 72 | |
| | 20 | 69 | | | | | | | | | 77 | |
| | 25 | 74 | | | | | | | | | 82 | |
| 100 | 10 | 68 | 9 | 25 | 16.5 | 10.5 | M10 | 6.1 | 89 | 10 | 78 | 22 |
| | 15 | 73 | | | | | | | | | 83 | |
| | 20 | 78 | | | | | | | | | 88 | |
| | 25 | 83 | | | | | | | | | 93 | |

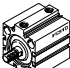
Short-stroke cylinders ADVC

Technical data, double-acting – with position sensing

FESTO

★ Core product range

| Ordering data | | | | | | |
|---|------------------|----------------|--------------------------------|------------------|----------------------------------|------------------|
| Type | Piston Ø [mm] | Stroke [mm] | Piston rod with male thread | | Piston rod with female thread | |
| | | | Part No. | Type | Part No. | Type |
|  | 12 | 5 | ★ 188092 | ADVC-12-5-A-P-A | ★ 188088 | ADVC-12-5-I-P-A |
| | | 10 | ★ 188093 | ADVC-12-10-A-P-A | ★ 188089 | ADVC-12-10-I-P-A |
| | 16 | 5 | ★ 188118 | ADVC-16-5-A-P-A | ★ 188108 | ADVC-16-5-I-P-A |
| | | 10 | ★ 188119 | ADVC-16-10-A-P-A | ★ 188109 | ADVC-16-10-I-P-A |
| | | 15 | ★ 188120 | ADVC-16-15-A-P-A | ★ 188110 | ADVC-16-15-I-P-A |
| | | 20 | ★ 188121 | ADVC-16-20-A-P-A | ★ 188111 | ADVC-16-20-I-P-A |
| | | 25 | ★ 188122 | ADVC-16-25-A-P-A | ★ 188112 | ADVC-16-25-I-P-A |
| | 20 | 5 | ★ 188150 | ADVC-20-5-A-P-A | ★ 188140 | ADVC-20-5-I-P-A |
| | | 10 | ★ 188151 | ADVC-20-10-A-P-A | ★ 188141 | ADVC-20-10-I-P-A |
| | | 15 | ★ 188152 | ADVC-20-15-A-P-A | ★ 188142 | ADVC-20-15-I-P-A |
| | | 20 | ★ 188153 | ADVC-20-20-A-P-A | ★ 188143 | ADVC-20-20-I-P-A |
| | | 25 | ★ 188154 | ADVC-20-25-A-P-A | ★ 188144 | ADVC-20-25-I-P-A |
| | 25 | 5 | ★ 188182 | ADVC-25-5-A-P-A | ★ 188172 | ADVC-25-5-I-P-A |
| | | 10 | ★ 188183 | ADVC-25-10-A-P-A | ★ 188173 | ADVC-25-10-I-P-A |
| | | 15 | ★ 188184 | ADVC-25-15-A-P-A | ★ 188174 | ADVC-25-15-I-P-A |
| | | 20 | ★ 188185 | ADVC-25-20-A-P-A | ★ 188175 | ADVC-25-20-I-P-A |
| | | 25 | ★ 188186 | ADVC-25-25-A-P-A | ★ 188176 | ADVC-25-25-I-P-A |


| Ordering data | | | | | | |
|---|------------------|----------------|--------------------------------|------------------|----------------------------------|------------------|
| Type | Piston Ø [mm] | Stroke [mm] | Piston rod with male thread | | Piston rod with female thread | |
| | | | Part No. | Type | Part No. | Type |
|  | 32 | 5 | ★ 188214 | ADVC-32-5-A-P-A | ★ 188204 | ADVC-32-5-I-P-A |
| | | 10 | ★ 188215 | ADVC-32-10-A-P-A | ★ 188205 | ADVC-32-10-I-P-A |
| | | 15 | ★ 188216 | ADVC-32-15-A-P-A | ★ 188206 | ADVC-32-15-I-P-A |
| | | 20 | ★ 188217 | ADVC-32-20-A-P-A | ★ 188207 | ADVC-32-20-I-P-A |
| | | 25 | ★ 188218 | ADVC-32-25-A-P-A | ★ 188208 | ADVC-32-25-I-P-A |
| | 40 | 5 | ★ 188242 | ADVC-40-5-A-P-A | ★ 188232 | ADVC-40-5-I-P-A |
| | | 10 | ★ 188243 | ADVC-40-10-A-P-A | ★ 188233 | ADVC-40-10-I-P-A |
| | | 15 | ★ 188244 | ADVC-40-15-A-P-A | ★ 188234 | ADVC-40-15-I-P-A |
| | | 20 | ★ 188245 | ADVC-40-20-A-P-A | ★ 188235 | ADVC-40-20-I-P-A |
| | | 25 | ★ 188246 | ADVC-40-25-A-P-A | ★ 188236 | ADVC-40-25-I-P-A |
| | 50 | 10 | ★ 188268 | ADVC-50-10-A-P-A | ★ 188260 | ADVC-50-10-I-P-A |
| | | 15 | ★ 188269 | ADVC-50-15-A-P-A | ★ 188261 | ADVC-50-15-I-P-A |
| | | 20 | ★ 188270 | ADVC-50-20-A-P-A | ★ 188262 | ADVC-50-20-I-P-A |
| | | 25 | ★ 188271 | ADVC-50-25-A-P-A | ★ 188263 | ADVC-50-25-I-P-A |
| | 63 | 10 | ★ 188292 | ADVC-63-10-A-P-A | ★ 188284 | ADVC-63-10-I-P-A |
| | | 15 | ★ 188293 | ADVC-63-15-A-P-A | ★ 188285 | ADVC-63-15-I-P-A |
| | | 20 | ★ 188294 | ADVC-63-20-A-P-A | ★ 188286 | ADVC-63-20-I-P-A |
| | | 25 | ★ 188295 | ADVC-63-25-A-P-A | ★ 188287 | ADVC-63-25-I-P-A |

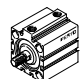
Festo core product range

- ★ Ready for dispatch from the Festo factory in 24 hours
- ☆ Ready for dispatch in 5 days maximum from stock

Short-stroke cylinders ADVC

Technical data, double-acting – with position sensing

| Ordering data | | | | | | |
|---|------------------|----------------|--------------------------------|-------------------------|------------------------------|-----------------------|
| Type | Piston Ø [mm] | Stroke [mm] | Piston rod with male thread | | Piston rod without thread | |
| | | | Part No. | Type | Part No. | Type |
|  | 6 | 5 | 188064 | ADVC-6-5-A-P-A | 526901 | ADVC-6-5-P-A |
| | | 10 | 188065 | ADVC-6-10-A-P-A | 526902 | ADVC-6-10-P-A |
| | 10 | 5 | 188076 | ADVC-10-5-A-P-A | 526905 | ADVC-10-5-P-A |
| | | 10 | 188077 | ADVC-10-10-A-P-A | 526906 | ADVC-10-10-P-A |
| | 12 | 5 | – | | 530572 | ADVC-12-5-P-A |
| | | 10 | | | 530573 | ADVC-12-10-P-A |

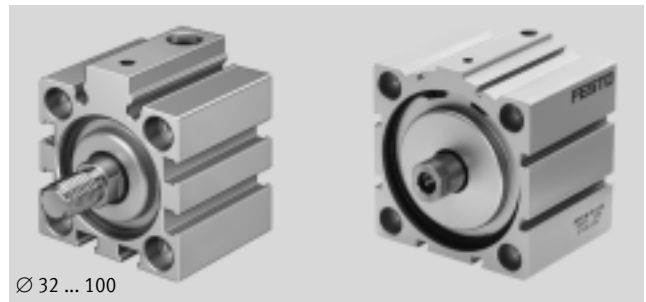
| Ordering data | | | | | | |
|---|------------------|----------------|--------------------------------|--------------------------|----------------------------------|--------------------------|
| Type | Piston Ø [mm] | Stroke [mm] | Piston rod with male thread | | Piston rod with female thread | |
| | | | Part No. | Type | Part No. | Type |
|  | 80 | 10 | 188316 | ADVC-80-10-A-P-A | 188308 | ADVC-80-10-I-P-A |
| | | 15 | 188317 | ADVC-80-15-A-P-A | 188309 | ADVC-80-15-I-P-A |
| | | 20 | 188318 | ADVC-80-20-A-P-A | 188310 | ADVC-80-20-I-P-A |
| | | 25 | 188319 | ADVC-80-25-A-P-A | 188311 | ADVC-80-25-I-P-A |
| | 100 | 10 | 188340 | ADVC-100-10-A-P-A | 188332 | ADVC-100-10-I-P-A |
| | | 15 | 188341 | ADVC-100-15-A-P-A | 188333 | ADVC-100-15-I-P-A |
| | | 20 | 188342 | ADVC-100-20-A-P-A | 188334 | ADVC-100-20-I-P-A |
| | | 25 | 188343 | ADVC-100-25-A-P-A | 188335 | ADVC-100-25-I-P-A |

Short-stroke cylinders AEVC

Technical data, single-acting – without position sensing



- \varnothing - Diameter
4 ... 100 mm
- | - Stroke length
2.5 ... 25 mm



| General technical data | | | | | | | | | | | | | |
|--------------------------------|--|----|----|----|----|----|----|-------------------|------|------|------|------|------|
| Piston Ø | 4 | 6 | 10 | 12 | 16 | 20 | 25 | 32 | 40 | 50 | 63 | 80 | 100 |
| Pneumatic connection | M3 | M3 | M5 | M5 | M5 | M5 | M5 | G1/8 | G1/8 | G1/8 | G1/8 | G1/8 | G1/4 |
| Piston rod with female thread | - | - | - | ■ | ■ | ■ | ■ | ■ | ■ | ■ | ■ | ■ | ■ |
| Piston rod with male thread | ■ | ■ | ■ | ■ | ■ | ■ | ■ | ■ | ■ | ■ | ■ | ■ | ■ |
| Piston rod without thread | ■ | ■ | ■ | ■ | - | - | - | - | - | - | - | - | - |
| Operating medium | Compressed air in accordance with ISO 8573-1:2010 [7:4:4] | | | | | | | | | | | | |
| Note on operating/pilot medium | Operation with lubricated medium possible (in which case lubricated operation will always be required) | | | | | | | | | | | | |
| Constructional design | Piston | | | | | | | | | | | | |
| | Piston rod | | | | | | | | | | | | |
| Cushioning | Flexible cushioning rings/plates at both ends | | | | | | | | | | | | |
| Type of mounting | Via through-holes | | | | | | | Via through-holes | | | | | |
| | - | | | | | | | Via accessories | | | | | |
| Mounting position | Any | | | | | | | | | | | | |

| Operating conditions | | | | | | | | | | | | | |
|--|-------------|---------|-----------|------------|----------|----|----|----|----|----|----|----|-----|
| Piston Ø | 4 | 6 | 10 | 12 | 16 | 20 | 25 | 32 | 40 | 50 | 63 | 80 | 100 |
| Operating pressure [bar] | 2.5 ... 8 | 2 ... 8 | 1.5 ... 8 | 1.5 ... 10 | 1 ... 10 | | | | | | | | |
| Ambient temperature [°C] | -20 ... +80 | | | | | | | | | | | | |
| Corrosion resistance class CRC ¹⁾ | 1 | | | | | | | | | | | | |


1) Corrosion resistance class CRC 1 to Festo standard FN 940070
Low corrosion stress. For dry indoor applications or transport and storage protection. Also applies to parts behind covers, in the non-visible interior area, and parts which are covered in the application (e.g. drive trunnions).

Short-stroke cylinders AEVC

Technical data, single-acting – without position sensing

| Forces [N] and impact energy [J] | | | | | | | | | | | | | |
|---------------------------------------|-------|-------|------|------|------|------------------|------|------|------|------|------|------|------|
| Piston \varnothing | 4 | 6 | 10 | 12 | 16 | 20 | 25 | 32 | 40 | 50 | 63 | 80 | 100 |
| Theoretical force at 6 bar, advancing | 5 | 11 | 41 | 59 | 105 | 170 | 270 | 450 | 700 | 1120 | 1800 | 2900 | 4500 |
| Theoretical force at 6 bar, returning | 1 | 3 | 3 | 4 | 5 | 10 ¹⁾ | 15 | 22 | 28 | 40 | 50 | 85 | 140 |
| Max. impact energy at end positions | 0.003 | 0.005 | 0.03 | 0.06 | 0.10 | 0.14 | 0.18 | 0.26 | 0.36 | 0.60 | 0.64 | 0.90 | 1.20 |

1) AEVC-20-5-... = 5 N

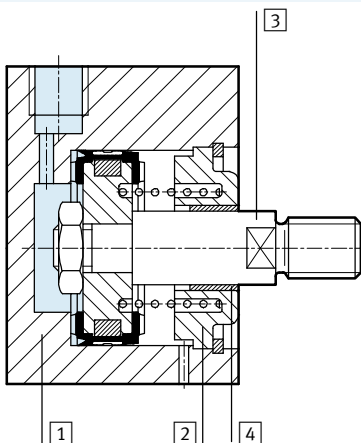
 Note The degree of friction depends upon the mounting position, and the type of load involved. Single-acting cylinders should as far as possible be operated without lateral forces.

| Product weight [g] | | | | | | | | | | | | | |
|--------------------|----------------------|----|----|----|-----|-----|-----|-----|-----|-----|-----|------|------|
| Stroke [mm] | Piston \varnothing | | | | | | | | | | | | |
| | 4 | 6 | 10 | 12 | 16 | 20 | 25 | 32 | 40 | 50 | 63 | 80 | 100 |
| 2.5 | 3.7 | – | – | – | – | – | – | – | – | – | – | – | – |
| 5 | 4.5 | 12 | 17 | 24 | 60 | 85 | 130 | 220 | – | – | – | – | – |
| 10 | – | 18 | 24 | 40 | 80 | 130 | 160 | 290 | 370 | 410 | 490 | 1900 | 2850 |
| 25 | – | – | – | – | 150 | 200 | 250 | 400 | 560 | 680 | 770 | 2400 | 3500 |

| Moving load [g] | | | | | | | | | | | | | |
|-----------------|----------------------|-----|-----|-----|----|----|----|----|----|-----|-----|-----|-----|
| Stroke [mm] | Piston \varnothing | | | | | | | | | | | | |
| | 4 | 6 | 10 | 12 | 16 | 20 | 25 | 32 | 40 | 50 | 63 | 80 | 100 |
| 2.5 | 0.15 | – | – | – | – | – | – | – | – | – | – | – | – |
| 5 | 0.2 | 1 | 2 | 4.4 | 8 | 14 | 22 | 40 | – | – | – | – | – |
| 10 | – | 1.4 | 2.6 | 6.9 | 11 | 21 | 25 | 48 | 65 | 105 | 157 | 327 | 678 |
| 25 | – | – | – | – | 19 | 32 | 37 | 62 | 83 | 140 | 191 | 365 | 739 |

Materials

Sectional view



| Short-stroke cylinder | \varnothing 4 | \varnothing 6 ... 100 |
|-----------------------|-------------------------|-------------------------|
| 1 Cylinder barrel | Anodised aluminium | Anodised aluminium |
| 2 Cover cap | Anodised aluminium | Anodised aluminium |
| 3 Piston rod | Anodised aluminium | High-alloy steel |
| 4 Rod seal | Nitrile rubber | Polyurethane |
| Note on material | Free of copper and PTFE | Free of copper and PTFE |

Short-stroke cylinders AEVC

Technical data, single-acting – without position sensing



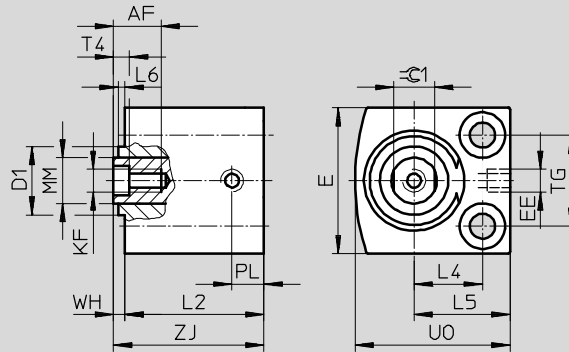
Dimensions

Download CAD data → www.festo.com

Ø 4 ... 25 mm

AEVC...-I-P

Piston rod with female thread



Note

Ø 10 mm

Depending on tolerance, the bearing cap may project by up to 0.65 mm.

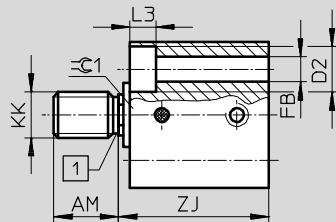
Ø 12 mm

Depending on tolerance, the bearing cap may project by up to 0.35 mm.

1 No undercut with diameter 4/6/10.

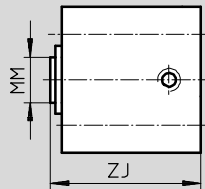
AEVC...-A-P

Piston rod with male thread



AEVC...-P

Piston rod without thread



Short-stroke cylinders AVEC

Technical data, single-acting – without position sensing

| ∅ [mm] | Stroke [mm] | AF min. | AM -0.5 | D1 ∅ max. | D2 ∅ | E max. | EE | FB ∅ | KF | KK | L2 +0.2 | L3 |
|-----------|----------------|------------|------------|-----------------|---------------------|-----------|----|---------|----|----|------------|-----|
| 4 | 2.5 | - | 6 | - | 3.3 ^{+0.1} | 10 | M3 | 1.8 | - | M2 | 13 | 1.8 |
| | 5 | | | | | | | | | | 15.5 | |
| 6 | 5 | - | 6 | - | 5 ^{+0.1} | 13 | M3 | 2.9 | - | M3 | 16 | 2.9 |
| | 10 | | | | | | | | | | 23.4 | |
| 10 | 5 | - | 8 | 7.5 | 5.8 ^{+0.1} | 18 | M5 | 3.4 | - | M4 | 16 | 3.4 |
| | 10 | | | | | | | | | | 23 | |
| 12 | 5 | 8 | 8 | 10.7 | 6 ^{H13} | 20 | M5 | 3.4 | M3 | M5 | 16 | 3.4 |
| | 10 | | | | | | | | | | 27.5 | |
| 16 | 5 | 10 | 12 | - | 8 ^{H13} | 25 | M5 | 4.5 | M4 | M6 | 20 | 4.6 |
| | 10 | | | | | | | | | | 27.5 | |
| | 25 | | | | | | | | | | 47 | |
| 20 | 5 | 8 | 12 | - | 10 ^{H13} | 32 | M5 | 5.5 | M5 | M8 | 20 | 5.7 |
| | 10 | 12 | | | | | | | | | 30.5 | |
| | 25 | 48.5 | | | | | | | | | | |
| 25 | 5 | 12 | 12 | - | 10 ^{H13} | 38 | M5 | 5.5 | M5 | M8 | 26.1 | 5.7 |
| | 10 | | | | | | | | | | 31.1 | |
| | 25 | | | | | | | | | | 50.2 | |

| ∅ [mm] | Stroke [mm] | L4 | L5 | L6 max. | MM ∅ | PL | T4 | TG ±0.1 | UO max. | WH | ZJ ±0.8 | ≈C1 |
|-----------|----------------|------|------|------------|---------|-----|-----|------------|------------|----|------------|-----|
| 4 | 2.5 | 4 | 6.5 | - | 2 | 3.2 | - | 5.8 | 10 | 1 | 14 | - |
| | 5 | | | | | | | | | | 16.5 | |
| 6 | 5 | 6 | 9 | - | 3 | 3 | - | 7 | 14 | 1 | 17 | - |
| | 10 | | | | | | | | | | 24.4 | |
| 10 | 5 | 8 | 11.5 | 0.7 | 4 | 5.5 | - | 11 | 19 | 1 | 17 | - |
| | 10 | | | | | | | | | | 24 | |
| 12 | 5 | 9 | 13 | 0.4 | 6 | 6 | 1.5 | 13 | 22 | 1 | 17 | - |
| | 10 | | | | | | | | | | 28.5 | |
| 16 | 5 | 11.5 | 16.5 | - | 8 | 6 | 2 | 15 | 27 | 1 | 21 | 7 |
| | 10 | | | | | | | | | | 28.5 | |
| | 25 | | | | | | | | | | 48 | |
| 20 | 5 | 15 | 21 | - | 10 | 7 | 2 | 20 | 34 | 1 | 21 | 9 |
| | 10 | | | | | | | | | | 31.5 | |
| | 25 | | | | | | | | | | 49.5 | |
| 25 | 5 | 15.5 | 21.5 | - | 10 | 6.5 | 2 | 26 | 37 | 1 | 27.1 | 9 |
| | 10 | | | | | | | | | | 32.1 | |
| | 25 | | | | | | | | | | 51.2 | |

Short-stroke cylinders AEVC

Technical data, single-acting – without position sensing



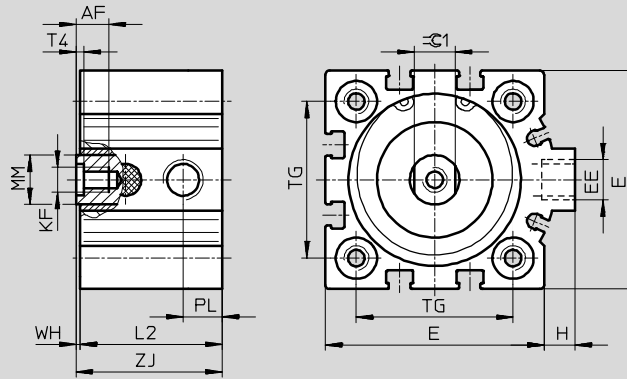
Dimensions

Download CAD data → www.festo.com

∅ 32 ... 100 mm

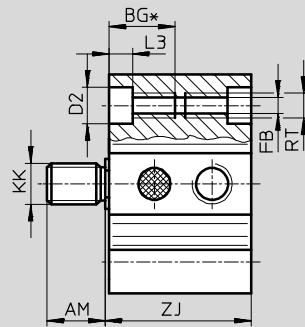
AEVC-...-I-P

Piston rod with female thread



AEVC-...-A-P**

Piston rod with male thread




| ∅ | Stroke | AF | AM | BG* | D2 | E | EE | FB | H | KF | KK | L2 | L3 | MM | PL | RT | T4 | TG | WH | ZJ | ∅C1 |
|------|--------|------|------|------|----|------|-----------------|-----|-----|-----|----------|------|-----|----|------|-----|-----|------|-----|------|-----|
| [mm] | [mm] | min. | -0.5 | min. | F9 | max. | | ∅ | | | | +0.2 | | ∅ | | | | ±0.1 | | ±0.8 | |
| 32 | 5 | 12 | 14 | 21.7 | 9 | 45 | G $\frac{1}{8}$ | 5.2 | 7 | M6 | M10x1.25 | 26 | 5.7 | 12 | 9.5 | M6 | 2.6 | 32.5 | 1 | 27 | 10 |
| | 35 | | | | | | | | | | | 36 | | | | | | | | | |
| | 50 | | | | | | | | | | | 51 | | | | | | | | | |
| 40 | 10 | 12 | 14 | 21.7 | 9 | 53.5 | G $\frac{1}{8}$ | 5.2 | 7 | M6 | M10x1.25 | 34.5 | 5.7 | 12 | 9.5 | M6 | 2.6 | 38 | 1 | 35.5 | 10 |
| | 54.5 | | | | | | | | | | | 55.5 | | | | | | | | | |
| 50 | 10 | 16 | 16 | 22.8 | 11 | 63.5 | G $\frac{1}{8}$ | 6.8 | 7 | M8 | M12x1.25 | 30.6 | 6.8 | 16 | 9.5 | M8 | 3.3 | 46.5 | 0.5 | 31.1 | 13 |
| | 53 | | | | | | | | | | | 53.5 | | | | | | | | | |
| 63 | 10 | 16 | 16 | 22.8 | 11 | 75 | G $\frac{1}{8}$ | 6.8 | 7.5 | M8 | M12x1.25 | 35 | 6.8 | 16 | 11.5 | M8 | 3.3 | 56.5 | 1 | 36 | 13 |
| | 57 | | | | | | | | | | | 58 | | | | | | | | | |
| 80 | 10 | 20 | 22 | 25 | 14 | 93 | G $\frac{1}{8}$ | 8.5 | 7 | M10 | M16x1.5 | 52 | 9 | 20 | 15 | M10 | 4.7 | 72 | 1 | 53 | 17 |
| | 67 | | | | | | | | | | | 68 | | | | | | | | | |
| 100 | 10 | 24 | 28 | 25 | 14 | 113 | G $\frac{1}{4}$ | 8.5 | 13 | M12 | M20x1.5 | 59 | 9 | 25 | 19 | M10 | 6.1 | 89 | 1 | 60 | 22 |
| | 74 | | | | | | | | | | | 75 | | | | | | | | | |

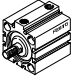
* Continuous thread with short overall length

** Nut for piston rod thread included in scope of delivery

Short-stroke cylinders AEVC

Technical data, single-acting – without position sensing

| Ordering data | | | | | | |
|---|------------------|----------------|--------------------------------|----------------|----------------------------------|----------------|
| Type | Piston Ø [mm] | Stroke [mm] | Piston rod with male thread | | Piston rod with female thread | |
| | | | Part No. | Type | Part No. | Type |
|  | 12 | 5 | ★ 188086 | AEVC-12-5-A-P | ★ 188082 | AEVC-12-5-I-P |
| | | 10 | ★ 188087 | AEVC-12-10-A-P | ★ 188083 | AEVC-12-10-I-P |
| | 16 | 5 | ★ 188105 | AEVC-16-5-A-P | ★ 188099 | AEVC-16-5-I-P |
| | | 10 | ★ 188106 | AEVC-16-10-A-P | ★ 188100 | AEVC-16-10-I-P |
| | | 25 | ★ 188107 | AEVC-16-25-A-P | ★ 188101 | AEVC-16-25-I-P |
| | 20 | 5 | ★ 188137 | AEVC-20-5-A-P | ★ 188131 | AEVC-20-5-I-P |
| | | 10 | ★ 188138 | AEVC-20-10-A-P | ★ 188132 | AEVC-20-10-I-P |
| | | 25 | ★ 188139 | AEVC-20-25-A-P | ★ 188133 | AEVC-20-25-I-P |
| | 25 | 5 | ★ 188169 | AEVC-25-5-A-P | ★ 188163 | AEVC-25-5-I-P |
| | | 10 | ★ 188170 | AEVC-25-10-A-P | ★ 188164 | AEVC-25-10-I-P |
| | | 25 | ★ 188171 | AEVC-25-25-A-P | ★ 188165 | AEVC-25-25-I-P |

| Ordering data | | | | | | |
|---|------------------|----------------|--------------------------------|----------------|----------------------------------|----------------|
| Type | Piston Ø [mm] | Stroke [mm] | Piston rod with male thread | | Piston rod with female thread | |
| | | | Part No. | Type | Part No. | Type |
|  | 32 | 5 | ★ 188201 | AEVC-32-5-A-P | ★ 188195 | AEVC-32-5-I-P |
| | | 10 | ★ 188202 | AEVC-32-10-A-P | ★ 188196 | AEVC-32-10-I-P |
| | | 25 | ★ 188203 | AEVC-32-25-A-P | ★ 188197 | AEVC-32-25-I-P |
| | 40 | 10 | ★ 188230 | AEVC-40-10-A-P | ★ 188226 | AEVC-40-10-I-P |
| | | 25 | ★ 188231 | AEVC-40-25-A-P | ★ 188227 | AEVC-40-25-I-P |
| | 50 | 10 | ★ 188258 | AEVC-50-10-A-P | ★ 188254 | AEVC-50-10-I-P |
| | | 25 | ★ 188259 | AEVC-50-25-A-P | ★ 188255 | AEVC-50-25-I-P |
| | 63 | 10 | ★ 188282 | AEVC-63-10-A-P | ★ 188278 | AEVC-63-10-I-P |
| | | 25 | ★ 188283 | AEVC-63-25-A-P | ★ 188279 | AEVC-63-25-I-P |


Festo core product range

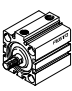
- ★ Ready for dispatch from the Festo factory in 24 hours
- ☆ Ready for dispatch in 5 days maximum from stock

Short-stroke cylinders AEVC

Technical data, single-acting – without position sensing

FESTO

| Ordering data | | | | | | |
|---|------------------|----------------|--------------------------------|-----------------------|------------------------------|---------------------|
| Type | Piston Ø [mm] | Stroke [mm] | Piston rod with male thread | | Piston rod without thread | |
| | | | Part No. | Type | Part No. | Type |
|  | 4 | 2.5 | 188052 | AEVC-4-2,5-A-P | 188050 | AEVC-4-2,5-P |
| | | 5 | 188053 | AEVC-4-5-A-P | 188051 | AEVC-4-5-P |
| | 6 | 5 | 188062 | AEVC-6-5-A-P | 188058 | AEVC-6-5-P |
| | | 10 | 188063 | AEVC-6-10-A-P | 188059 | AEVC-6-10-P |
| | 10 | 5 | 188074 | AEVC-10-5-A-P | 188070 | AEVC-10-5-P |
| | | 10 | 188075 | AEVC-10-10-A-P | 188071 | AEVC-10-10-P |
| | 12 | 5 | 188086 | AEVC-12-5-A-P | 530566 | AEVC-12-5-P |
| | | 10 | 188087 | AEVC-12-10-A-P | 530567 | AEVC-12-10-P |

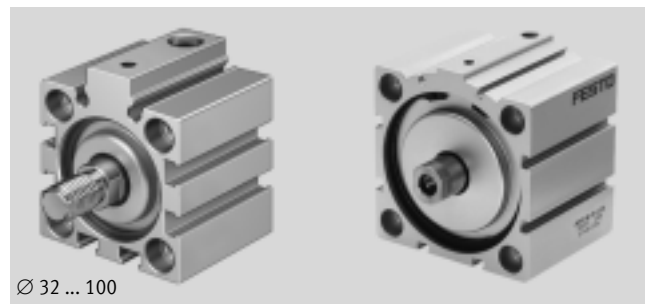
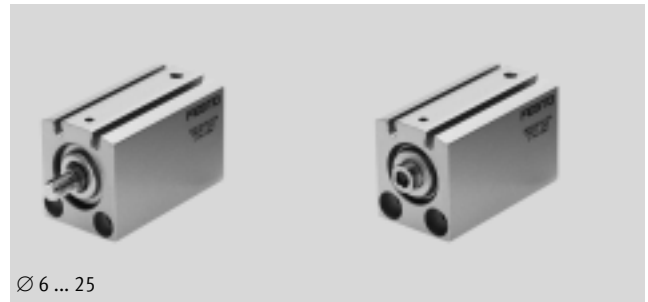
| Ordering data | | | | | | |
|--|------------------|----------------|--------------------------------|------------------------|----------------------------------|------------------------|
| Type | Piston Ø [mm] | Stroke [mm] | Piston rod with male thread | | Piston rod with female thread | |
| | | | Part No. | Type | Part No. | Type |
|  | 80 | 10 | 188306 | AEVC-80-10-A-P | 188302 | AEVC-80-10-I-P |
| | | 25 | 188307 | AEVC-80-25-A-P | 188303 | AEVC-80-25-I-P |
| | 100 | 10 | 188330 | AEVC-100-10-A-P | 188326 | AEVC-100-10-I-P |
| | | 25 | 188331 | AEVC-100-25-A-P | 188327 | AEVC-100-25-I-P |

Short-stroke cylinders AEVC

Technical data, single-acting – with position sensing



- \varnothing - Diameter
6 ... 100 mm
- | - Stroke length
5 ... 25 mm



| General technical data | | | | | | | | | | | | |
|--------------------------------|--|----|----|----|----|----|-------------------|------|------|------|------|------|
| Piston Ø | 6 | 10 | 12 | 16 | 20 | 25 | 32 | 40 | 50 | 63 | 80 | 100 |
| Pneumatic connection | M3 | M5 | M5 | M5 | M5 | M5 | G1/8 | G1/8 | G1/8 | G1/8 | G1/8 | G1/4 |
| Piston rod with female thread | - | - | ■ | ■ | ■ | ■ | ■ | ■ | ■ | ■ | ■ | ■ |
| Piston rod with male thread | ■ | ■ | ■ | ■ | ■ | ■ | ■ | ■ | ■ | ■ | ■ | ■ |
| Piston rod without thread | ■ | ■ | ■ | - | - | - | - | - | - | - | - | - |
| Operating medium | Compressed air in accordance with ISO 8573-1:2010 [7:4:4] | | | | | | | | | | | |
| Note on operating/pilot medium | Operation with lubricated medium possible (in which case lubricated operation will always be required) | | | | | | | | | | | |
| Constructional design | Piston | | | | | | | | | | | |
| | Piston rod | | | | | | | | | | | |
| Cushioning | Flexible cushioning rings/plates at both ends | | | | | | | | | | | |
| Position sensing | For proximity sensing | | | | | | | | | | | |
| Type of mounting | Via through-holes | | | | | | Via through-holes | | | | | |
| | - | | | | | | Via accessories | | | | | |
| Mounting position | Any | | | | | | | | | | | |

| Operating conditions | | | | | | | | | | | | |
|--|---|-----------|------------|----|----|----|----------|----|----|----|----|-----|
| Piston Ø | 6 | 10 | 12 | 16 | 20 | 25 | 32 | 40 | 50 | 63 | 80 | 100 |
| Operating pressure [bar] | 2 ... 8 | 1.5 ... 8 | 1.5 ... 10 | | | | 1 ... 10 | | | | | |
| Ambient temperature [°C] | -20 ... +80 (note operating range of proximity sensors) | | | | | | | | | | | |
| Corrosion resistance class CRC ¹⁾ | 1 | | | | | | | | | | | |


1) Corrosion resistance class CRC 1 to Festo standard FN 940070
Low corrosion stress. For dry indoor applications or transport and storage protection. Also applies to parts behind covers, in the non-visible interior area, and parts which are covered in the application (e.g. drive trunnions).

Short-stroke cylinders AEVC

Technical data, single-acting – with position sensing

| Forces [N] and impact energy [J] | | | | | | | | | | | | |
|---------------------------------------|-------|------|------|------|------------------|------|------|------|------|------|------|------|
| Piston Ø | 6 | 10 | 12 | 16 | 20 | 25 | 32 | 40 | 50 | 63 | 80 | 100 |
| Theoretical force at 6 bar, advancing | 11 | 41 | 59 | 105 | 170 | 270 | 450 | 700 | 1120 | 1800 | 2900 | 4500 |
| Theoretical force at 6 bar, returning | 3 | 3 | 4 | 5 | 10 ¹⁾ | 15 | 22 | 28 | 40 | 50 | 85 | 140 |
| Max. impact energy at end positions | 0.005 | 0.03 | 0.06 | 0.10 | 0.14 | 0.18 | 0.26 | 0.36 | 0.60 | 0.64 | 0.90 | 1.20 |

1) AEVC-20-5-... = 5 N

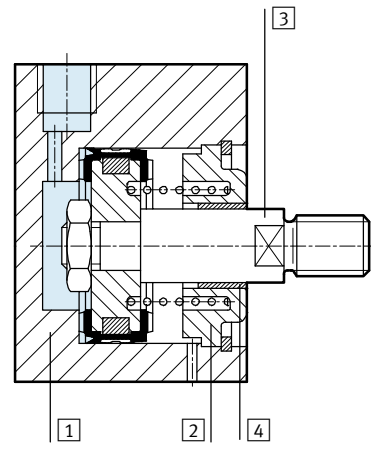
 Note The degree of friction depends upon the mounting position, and the type of load involved. Single-acting cylinders should as far as possible be operated without lateral forces.

| Product weight [g] | | | | | | | | | | | | |
|--------------------|----------|----|----|-----|-----|-----|-----|-----|-----|-----|------|------|
| Stroke [mm] | Piston Ø | | | | | | | | | | | |
| | 6 | 10 | 12 | 16 | 20 | 25 | 32 | 40 | 50 | 63 | 80 | 100 |
| 5 | 19 | 37 | 70 | 95 | 160 | 195 | 320 | – | – | – | – | – |
| 10 | 23 | 44 | 79 | 105 | 170 | 205 | 340 | 490 | 630 | 720 | 1940 | 2970 |
| 25 | – | – | – | 130 | 200 | 250 | 390 | 580 | 730 | 870 | 3290 | 3220 |

| Moving load [g] | | | | | | | | | | | | |
|-----------------|----------|-----|-----|----|----|----|----|----|-----|-----|-----|-----|
| Stroke [mm] | Piston Ø | | | | | | | | | | | |
| | 6 | 10 | 12 | 16 | 20 | 25 | 32 | 40 | 50 | 63 | 80 | 100 |
| 5 | 1.5 | 3 | 8.5 | 15 | 26 | 32 | 49 | – | – | – | – | – |
| 10 | 1.8 | 3.5 | 9.5 | 17 | 29 | 35 | 54 | 70 | 116 | 155 | 284 | 546 |
| 25 | – | – | – | 26 | 40 | 47 | 67 | 83 | 140 | 179 | 321 | 604 |

Materials

Sectional view



| Short-stroke cylinder | |
|---|---------------------------------------|
| 1 | Cylinder barrel Anodised aluminium |
| 2 | Cover cap Anodised aluminium |
| 3 | Piston rod High-alloy steel |
| 4 | Rod seal Polyurethane |
| Note on material Free of copper and PTFE | |

Short-stroke cylinders AEVC

Technical data, single-acting – with position sensing

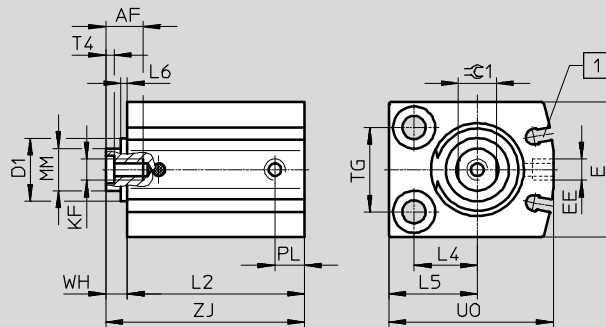
Dimensions

Download CAD data → www.festo.com

∅ 6 ... 25 mm

AEVC-...-I-P-A

Piston rod with female thread



- Note

∅ 10 mm

Depending on tolerance, the bearing cap may project by up to 0.65 mm.

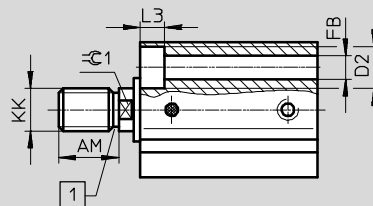
∅ 12 mm

Depending on tolerance, the bearing cap may project by up to 0.35 mm.

1 No undercut with diameter 6/10.

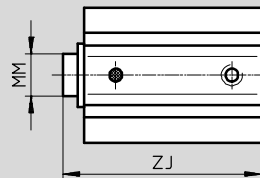
AEVC-...-A-P-A

Piston rod with male thread



AEVC-...-P-A

Piston rod without thread



1 Slot for proximity sensor SME/SMT-10

Short-stroke cylinders AEVC

Technical data, single-acting – with position sensing

FESTO

| ∅ [mm] | Stroke [mm] | AF min. | AM -0.5 | D1 ∅ max. | D2 ∅ | E max. | EE | FB ∅ | KF | KK | L2 +0.2 | L3 |
|-----------|----------------|------------|------------|-----------------|----------|-----------|----|---------|----|----|------------|-----|
| 6 | 5 | - | 6 | - | 5 +0.1 | 16 | M3 | 2.9 | - | M3 | 25.5 | 2.9 |
| | 10 | | | | | | | | | | 30.5 | |
| 10 | 5 | - | 8 | 7.5 | 5.8 +0.1 | 21 | M5 | 3.4 | - | M4 | 27 | 3.4 |
| | 10 | | | | | | | | | | 32 | |
| 12 | 5 | 8 | 8 | 10.7 | 6 H13 | 24 | M5 | 3.4 | M3 | M5 | 36 | 3.4 |
| | 10 | | | | | | | | | | 41 | |
| 16 | 5 | 10 | 12 | - | 8 H13 | 28 | M5 | 4.5 | M4 | M6 | 35 | 4.6 |
| | 10 | | | | | | | | | | 40 | |
| | 25 | | | | | | | | | | 59.5 | |
| 20 | 5 | 12 | 12 | - | 10 H13 | 32 | M5 | 5.5 | M5 | M8 | 37 | 5.7 |
| | 10 | | | | | | | | | | 42 | |
| | 25 | | | | | | | | | | 60 | |
| 25 | 5 | 12 | 12 | - | 10 H13 | 38 | M5 | 5.5 | M5 | M8 | 37 | 5.7 |
| | 10 | | | | | | | | | | 42 | |
| | 25 | | | | | | | | | | 61.1 | |

| ∅ [mm] | Stroke [mm] | L4 | L5 | L6 max. | MM ∅ | PL | T4 | TG ±0.1 | U0 max. | WH | ZJ ±0.8 | ≈1 |
|-----------|----------------|------|------|------------|---------|----|-----|------------|------------|-----|------------|----|
| 6 | 5 | 5 | 8 | - | 3 | 3 | - | 10 | 16 | 1 | 26.5 | - |
| | 10 | | | | | | | | | | 31.5 | |
| 10 | 5 | 7 | 10.5 | 0.7 | 4 | 6 | - | 14 | 22 | 1.5 | 28.5 | - |
| | 10 | | | | | | | | | | 33.5 | |
| 12 | 5 | 8 | 12 | 0.4 | 6 | 6 | 1.5 | 16 | 26 | 4 | 40 | 5 |
| | 10 | | | | | | | | | | 45 | |
| 16 | 5 | 12 | 17 | - | 8 | 6 | 2 | 18 | 32 | 4 | 39 | 7 |
| | 10 | | | | | | | | | | 44 | |
| | 25 | | | | | | | | | | 63.5 | |
| 20 | 5 | 15 | 21 | - | 10 | 7 | 2 | 20 | 39 | 5 | 42 | 9 |
| | 10 | | | | | | | | | | 47 | |
| | 25 | | | | | | | | | | 65 | |
| 25 | 5 | 15.5 | 21.5 | - | 10 | 6 | 2 | 26 | 42 | 5 | 42 | 9 |
| | 10 | | | | | | | | | | 47 | |
| | 25 | | | | | | | | | | 66.1 | |

Short-stroke cylinders AEVC

Technical data, single-acting – with position sensing

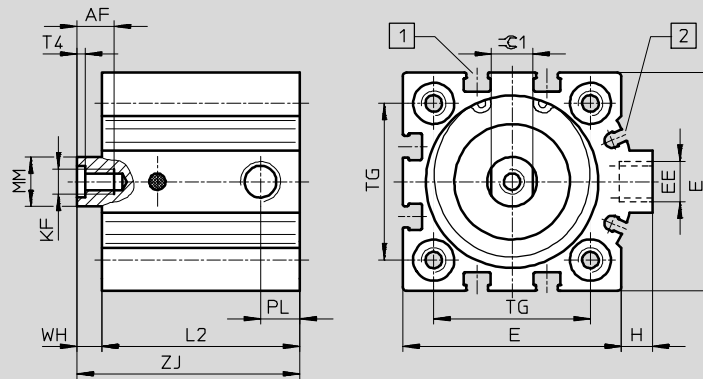
Dimensions

Download CAD data → www.festo.com

∅ 32 ... 100 mm

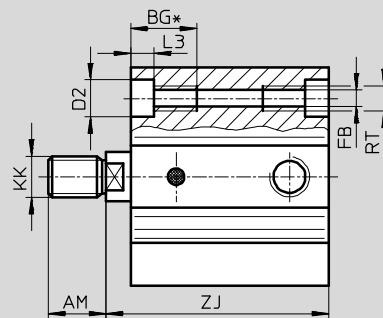
AEVC-...-I-P-A

Piston rod with female thread



AEVC-...-A-P-A**

Piston rod with male thread



- 1 Slot for proximity sensor SME/SMT-8
- 2 Slot for proximity sensor SME/SMT-10

| ∅ | Stroke [mm] | AF min. | AM -0.5 | BG* min. | D2 ∅ F9 | E max. | EE ∅ | H | KF | KK | L2 +0.2 | L3 | MM ∅ | PL | RT | T4 | TG ±0.1 | WH | ZJ ±0.8 | ≈G1 | |
|-----|----------------|------------|------------|-------------|---------------|-----------|-----------------|-----|-----|-----|------------|----|---------|----|------|-----|------------|------|------------|-----|----|
| 32 | 5 | 12 | 14 | 21.7 | 9 | 45 | G $\frac{1}{8}$ | 5.2 | 7 | M6 | M10x1.25 | 38 | 5.7 | 12 | 8.5 | M6 | 2.6 | 32.5 | 6 | 44 | 10 |
| | 10 | | | | | | | | | | | 43 | | | | | | | | 49 | |
| | 25 | | | | | | | | | | | 58 | | | | | | | | 64 | |
| 40 | 10 | 12 | 14 | 21.7 | 9 | 53.5 | G $\frac{1}{8}$ | 5.2 | 7 | M6 | M10x1.25 | 48 | 5.7 | 12 | 9.5 | M6 | 2.6 | 38 | 6 | 54 | 10 |
| | 25 | | | | | | | | | | | 63 | | | | | | | | 69 | |
| 50 | 10 | 16 | 16 | 22.8 | 11 | 63.5 | G $\frac{1}{8}$ | 6.8 | 7 | M8 | M12x1.25 | 50 | 6.8 | 16 | 9.5 | M8 | 3.3 | 46.5 | 8 | 58 | 13 |
| | 25 | | | | | | | | | | | 65 | | | | | | | | 73 | |
| 63 | 10 | 16 | 16 | 22.8 | 11 | 75 | G $\frac{1}{8}$ | 6.8 | 7.5 | M8 | M12x1.25 | 51 | 6.8 | 16 | 10.5 | M8 | 3.3 | 56.5 | 8 | 59 | 13 |
| | 25 | | | | | | | | | | | 66 | | | | | | | | 74 | |
| 80 | 10 | 20 | 22 | 25 | 14 | 93 | G $\frac{1}{8}$ | 8.5 | 7 | M10 | M16x1.5 | 59 | 9 | 20 | 8.5 | M10 | 4.7 | 72 | 8 | 67 | 17 |
| | 25 | | | | | | | | | | | 74 | | | | | | | | 82 | |
| 100 | 10 | 24 | 28 | 25 | 14 | 113 | G $\frac{1}{4}$ | 8.5 | 13 | M12 | M20x1.5 | 68 | 9 | 25 | 10.5 | M10 | 6.1 | 89 | 10 | 78 | 22 |
| | 25 | | | | | | | | | | | 83 | | | | | | | | 93 | |

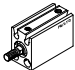
* Continuous thread with short overall length

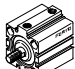
** Nut for piston rod thread included in scope of delivery

Short-stroke cylinders AEVC

Technical data, single-acting – with position sensing

FESTO

| Ordering data | | | | | | | | |
|---|------------------|----------------|--------------------------------|------------------|----------------------------------|------------------|------------------------------|----------------|
| Type | Piston Ø [mm] | Stroke [mm] | Piston rod with male thread | | Piston rod with female thread | | Piston rod without thread | |
| | | | Part No. | Type | Part No. | Type | Part No. | Type |
|  | 6 | 5 | 188060 | AEVC-6-5-A-P-A | - | | 188056 | AEVC-6-5-P-A |
| | | 10 | 188061 | AEVC-6-10-A-P-A | | | 188057 | AEVC-6-10-P-A |
| | 10 | 5 | 188072 | AEVC-10-5-A-P-A | - | | 188068 | AEVC-10-5-P-A |
| | | 10 | 188073 | AEVC-10-10-A-P-A | | | 188069 | AEVC-10-10-P-A |
| | 12 | 5 | 188084 | AEVC-12-5-A-P-A | 188080 | AEVC-12-5-I-P-A | 530570 | AEVC-12-5-P-A |
| | | 10 | 188085 | AEVC-12-10-A-P-A | 188081 | AEVC-12-10-I-P-A | 530571 | AEVC-12-10-P-A |
| | 16 | 5 | 188102 | AEVC-16-5-A-P-A | 188096 | AEVC-16-5-I-P-A | - | |
| | | 10 | 188103 | AEVC-16-10-A-P-A | 188097 | AEVC-16-10-I-P-A | | |
| | | 25 | 188104 | AEVC-16-25-A-P-A | 188098 | AEVC-16-25-I-P-A | | |
| | 20 | 5 | 188134 | AEVC-20-5-A-P-A | 188128 | AEVC-20-5-I-P-A | - | |
| | | 10 | 188135 | AEVC-20-10-A-P-A | 188129 | AEVC-20-10-I-P-A | | |
| | | 25 | 188136 | AEVC-20-25-A-P-A | 188130 | AEVC-20-25-I-P-A | | |
| | 25 | 5 | 188166 | AEVC-25-5-A-P-A | 188160 | AEVC-25-5-I-P-A | - | |
| | | 10 | 188167 | AEVC-25-10-A-P-A | 188161 | AEVC-25-10-I-P-A | | |
| | | 25 | 188168 | AEVC-25-25-A-P-A | 188162 | AEVC-25-25-I-P-A | | |

| Ordering data | | | | | | | | |
|---|------------------|----------------|--------------------------------|-------------------|----------------------------------|------------------|-------------------|--|
| Type | Piston Ø [mm] | Stroke [mm] | Piston rod with male thread | | Piston rod with female thread | | | |
| | | | Part No. | Type | Part No. | Type | | |
|  | 32 | 5 | 188198 | AEVC-32-5-A-P-A | 188192 | AEVC-32-5-I-P-A | | |
| | | 10 | 188199 | AEVC-32-10-A-P-A | 188193 | AEVC-32-10-I-P-A | | |
| | | 25 | 188200 | AEVC-32-25-A-P-A | 188194 | AEVC-32-25-I-P-A | | |
| | 40 | 10 | 188228 | AEVC-40-10-A-P-A | | 188224 | AEVC-40-10-I-P-A | |
| | | 25 | 188229 | AEVC-40-25-A-P-A | | 188225 | AEVC-40-25-I-P-A | |
| | 50 | 10 | 188256 | AEVC-50-10-A-P-A | | 188252 | AEVC-50-10-I-P-A | |
| | | 25 | 188257 | AEVC-50-25-A-P-A | | 188253 | AEVC-50-25-I-P-A | |
| | 63 | 10 | 188280 | AEVC-63-10-A-P-A | | 188276 | AEVC-63-10-I-P-A | |
| | | 25 | 188281 | AEVC-63-25-A-P-A | | 188277 | AEVC-63-25-I-P-A | |
| | 80 | 10 | 188304 | AEVC-80-10-A-P-A | | 188300 | AEVC-80-10-I-P-A | |
| | | 25 | 188305 | AEVC-80-25-A-P-A | | 188301 | AEVC-80-25-I-P-A | |
| | 100 | 10 | 188328 | AEVC-100-10-A-P-A | | 188324 | AEVC-100-10-I-P-A | |
| | | 25 | 188329 | AEVC-100-25-A-P-A | | 188325 | AEVC-100-25-I-P-A | |

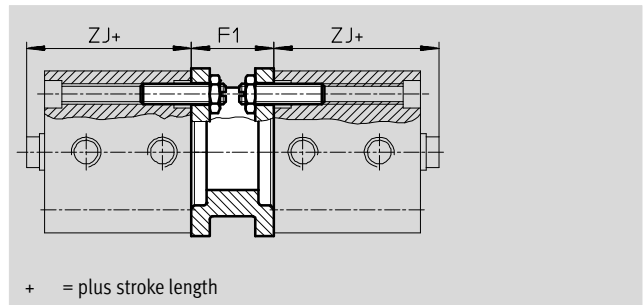
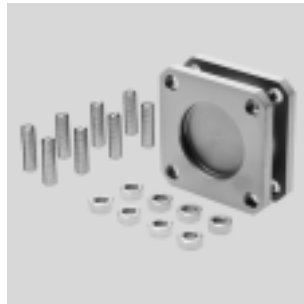
Short-stroke cylinders ADVC/AEVC

Accessories

Adapter kit DPNC

Material:

- Flange: Wrought aluminium alloy
- Threaded studs, hex nuts: Galvanised steel
- Free of copper and PTFE
- RoHS-compliant



| Dimensions and ordering data | | | | | | | | | |
|------------------------------|----------------|----|--------------------------|------|-----------------------|------|---------------|----------|----------|
| For Ø [mm] | Stroke [mm] | F1 | ZJ | | | | Weight [g] | Part No. | Type |
| | | | without position sensing | | with position sensing | | | | |
| | | | ADVC | AEVC | ADVC | AEVC | | | |
| 32 | 5 | 27 | 35 | 22 | 39 | 39 | 292 | 174418 | DPNC-32 |
| | 10, 15, 20, 25 | | | 26 | | | | | |
| 40 | 5, 10 | 27 | 35.5 | 25.5 | 44 | 44 | 410 | 174419 | DPNC-40 |
| | 15, 20, 25 | | | 30.5 | | | | | |
| 50 | 10 | 32 | 36 | 21.1 | 46 | 48 | 335 | 174420 | DPNC-50 |
| | 15, 20, 25 | | | 28.5 | | | | | |
| 63 | 10 | 28 | 43 | 26 | 49 | 49 | 390 | 174421 | DPNC-63 |
| | 15, 20, 25 | | | 33 | | | | | |
| 80 | 10, 15, 20, 25 | 38 | 48 | 43 | 57 | 57 | 847 | 174422 | DPNC-80 |
| 100 | 10, 15, 20, 25 | 38 | 59 | 50 | 68 | 68 | 1200 | 174423 | DPNC-100 |

Connecting two cylinders with identical piston Ø as a 3 or 4-position cylinder

A 3 or 4-position cylinder consists of two separate cylinders whose piston rods advance in opposing directions.

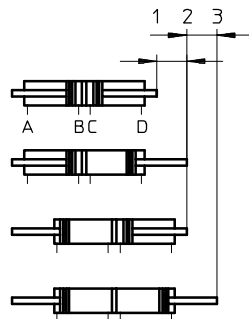
This means that depending upon actuation and stroke pattern, this type of cylinder can assume up to four

positions. In each case the cylinder is driven precisely against a stop. Note that when one end of the piston rod is

fixed, the cylinder barrel executes the movement. The cylinder must be connected with flexible line connections.

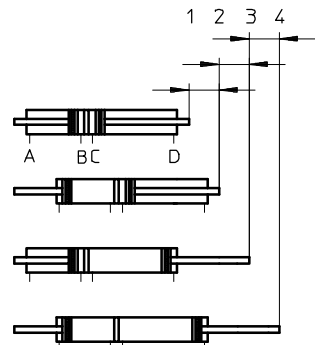
To achieve 3 positions

Two cylinders with identical stroke length must be connected together.



To achieve 4 positions

Two cylinders with different stroke lengths must be connected together.



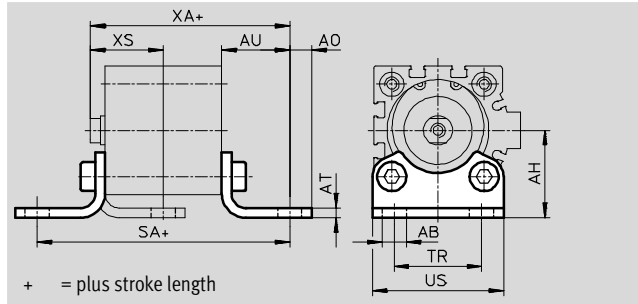
Short-stroke cylinders ADVC/AEVC

Accessories



Foot mounting HNC

Material:
Galvanised steel
Free of copper and PTFE



| Dimensions and ordering data | | | | | | | | | | | | |
|------------------------------|----------------|---------|----|------|----|----|--------------------------|------|-----------------------|------|----|-----|
| For Ø [mm] | Stroke [mm] | AB Ø | AH | AO | AT | AU | SA | | | | TR | US |
| | | | | | | | without position sensing | | with position sensing | | | |
| | | | | | | | ADVC | AEVC | ADVC | AEVC | | |
| 32 | 5 | 7 | 32 | 6.5 | 4 | 24 | 77 | 69 | 81 | 81 | 32 | 45 |
| | 10, 15, 20, 25 | | | | | | | 73 | | | | |
| 40 | 5, 10 | 10 | 36 | 9 | 4 | 28 | 85.5 | 80.5 | 94 | 94 | 36 | 54 |
| | 15, 20, 25 | | | | | | | 85.5 | | | | |
| 50 | 10 | 10 | 45 | 9.5 | 5 | 32 | 92 | 84.6 | 102 | 104 | 45 | 64 |
| | 15, 20, 25 | | | | | | | 92 | | | | |
| 63 | 10 | 10 | 50 | 12.5 | 5 | 32 | 99 | 89 | 105 | 105 | 50 | 75 |
| | 15, 20, 25 | | | | | | | 96 | | | | |
| 80 | 10, 15, 20, 25 | 12 | 63 | 15 | 6 | 41 | 122 | 124 | 131 | 131 | 63 | 93 |
| 100 | 10, 15, 20, 25 | 14.5 | 71 | 17.5 | 6 | 41 | 131 | 131 | 140 | 140 | 75 | 110 |

| For Ø [mm] | Stroke [mm] | XA | | | | XS | | | | CRC ¹⁾ | Weight [g] | Part No. | Type |
|---------------|----------------|--------------------------|------|-----------------------|------|--------------------------|------|-----------------------|------|-------------------|---------------|----------|---------|
| | | without position sensing | | with position sensing | | without position sensing | | with position sensing | | | | | |
| | | ADVC | AEVC | ADVC | AEVC | ADVC | AEVC | ADVC | AEVC | | | | |
| 32 | 5 | 59 | 46 | 63 | 63 | 26 | 21 | 26 | 26 | 2 | 144 | ★ 174369 | HNC-32 |
| | 10, 15, 20, 25 | | 50 | | | | | | | | | | |
| 40 | 5, 10 | 63.5 | 53.5 | 72 | 72 | 30 | 25 | 30 | 30 | 2 | 193 | ★ 174370 | HNC-40 |
| | 15, 20, 25 | | 58.5 | | | | | | | | | | |
| 50 | 10 | 68 | 53.1 | 78 | 80 | 35 | 27.5 | 35 | 35 | 2 | 353 | ★ 174371 | HNC-50 |
| | 15, 20, 25 | | 60.5 | | | | | | | | | | |
| 63 | 10 | 75 | 58 | 81 | 81 | 35 | 28 | 35 | 35 | 2 | 436 | ★ 174372 | HNC-63 |
| | 15, 20, 25 | | 65 | | | | | | | | | | |
| 80 | 10, 15, 20, 25 | 89 | 84 | 98 | 98 | 43 | 36 | 43 | 43 | 2 | 829 | ★ 174373 | HNC-80 |
| 100 | 10, 15, 20, 25 | 100 | 91 | 109 | 109 | 45 | 36 | 45 | 45 | 2 | 1009 | 174374 | HNC-100 |

1) Corrosion resistance class CRC 2 to Festo standard FN 940070
Moderate corrosion stress. Indoor applications in which condensation may occur. External visible parts with primarily decorative requirements for the surface and which are in direct contact with the ambient atmosphere typical for industrial applications.

- Note
Screws with special lengths are required to fit the sizes Ø 80 mm and Ø 100 mm. → page 46

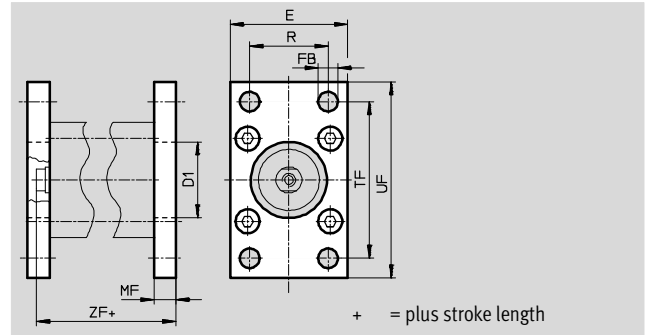
Festo core product range ★ Ready for dispatch from the Festo factory in 24 hours
☆ Ready for dispatch in 5 days maximum from stock

Short-stroke cylinders ADVC/AEVC

Accessories

Flange mounting FNC


Material:
Galvanised steel
Free of copper and PTFE
RoHS-compliant



| Dimensions and ordering data | | | | | | | | |
|------------------------------|----------------|----------------------|-----|----------------------|----|----|-----|-----|
| For \varnothing | Stroke | D1 | E | FB | MF | R | TF | UF |
| [mm] | [mm] | \varnothing H11 | | \varnothing H13 | | | | |
| 32 | 5 | 30 | 45 | 7 | 10 | 32 | 64 | 80 |
| | 10, 15, 20, 25 | | | | | | | |
| 40 | 5, 10 | 35 | 54 | 9 | 10 | 36 | 72 | 90 |
| | 15, 20, 25 | | | | | | | |
| 50 | 10 | 40 | 65 | 9 | 12 | 45 | 90 | 110 |
| | 15, 20, 25 | | | | | | | |
| 63 | 10 | 45 | 75 | 9 | 12 | 50 | 100 | 120 |
| | 15, 20, 25 | | | | | | | |
| 80 | 10, 15, 20, 25 | 45 | 93 | 12 | 16 | 63 | 126 | 150 |
| 100 | 10, 15, 20, 25 | 55 | 110 | 14 | 16 | 75 | 150 | 175 |

| For \varnothing | Stroke | ZF | | | | CRC ¹⁾ | Weight | Part No. | Type |
|-------------------|----------------|--------------------------|------|-----------------------|------|-------------------|--------|----------|---------|
| | | without position sensing | | with position sensing | | | | | |
| [mm] | [mm] | ADVC | AEVC | ADVC | AEVC | | [g] | | |
| 32 | 5 | 45 | 32 | 49 | 49 | 1 | 221 | ★ 174376 | FNC-32 |
| | 10, 15, 20, 25 | | 36 | | | | | | |
| 40 | 5, 10 | 45.5 | 35.5 | 54 | 54 | 1 | 291 | ★ 174377 | FNC-40 |
| | 15, 20, 25 | | 40.5 | | | | | | |
| 50 | 10 | 48 | 33.5 | 58 | 60 | 1 | 536 | ★ 174378 | FNC-50 |
| | 15, 20, 25 | | 40.5 | | | | | | |
| 63 | 10 | 55 | 38 | 61 | 61 | 1 | 679 | ★ 174379 | FNC-63 |
| | 15, 20, 25 | | 45 | | | | | | |
| 80 | 10, 15, 20, 25 | 64 | 59 | 73 | 73 | 1 | 1495 | ★ 174380 | FNC-80 |
| 100 | 10, 15, 20, 25 | 75 | 66 | 84 | 84 | 1 | 2041 | 174381 | FNC-100 |

1) Corrosion resistance class CRC 1 to Festo standard FN 940070
Low corrosion stress. For dry indoor applications or transport and storage protection. Also applies to parts behind covers, in the non-visible interior area, and parts which are covered in the application (e.g. drive trunnions).

 Note
Screws with special lengths are required to fit the sizes \varnothing 80 mm and \varnothing 100 mm. → page 46

Festo core product range

- ★ Ready for dispatch from the Festo factory in 24 hours
- ☆ Ready for dispatch in 5 days maximum from stock

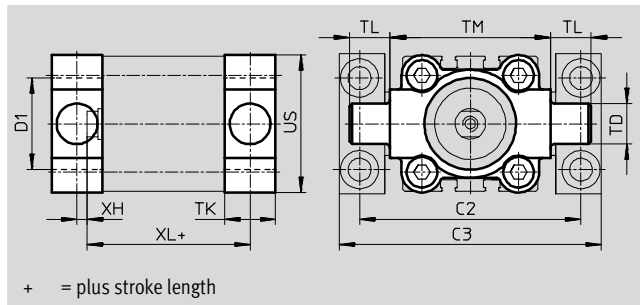
Short-stroke cylinders ADVC/AEVC



Accessories

Trunnion flange ZNCF

Material:
Special steel casting
Free of copper and PTFE
RoHS-compliant



+ = plus stroke length

| Dimensions and ordering data | | | | | | | | | | |
|------------------------------|----------------|-----|-----|----------------------|---------------------|----|----|-----|-----|----|
| For \varnothing | Stroke | C2 | C3 | D1 | TD | TK | TL | TM | US | XH |
| [mm] | [mm] | | | \varnothing H11 | \varnothing e9 | | | | | |
| 32 | 5 | 71 | 86 | 30 | 12 | 16 | 12 | 50 | 45 | 2 |
| | 10, 15, 20, 25 | | | | | | | | | |
| 40 | 5, 10 | 87 | 105 | 35 | 16 | 20 | 16 | 63 | 54 | 4 |
| | 15, 20, 25 | | | | | | | | | |
| 50 | 10 | 99 | 117 | 40 | 16 | 24 | 16 | 75 | 64 | 4 |
| | 15, 20, 25 | | | | | | | | | |
| 63 | 10 | 116 | 136 | 45 | 20 | 24 | 20 | 90 | 75 | 4 |
| | 15, 20, 25 | | | | | | | | | |
| 80 | 10, 15, 20, 25 | 136 | 156 | 45 | 20 | 28 | 20 | 110 | 93 | 6 |
| 100 | 10, 15, 20, 25 | 164 | 189 | 55 | 25 | 38 | 25 | 132 | 110 | 9 |

| For \varnothing | Stroke | XL | | | | CRC ¹⁾ | Weight | Part No. | Type |
|-------------------|----------------|--------------------------|------|-----------------------|------|-------------------|--------|----------|----------|
| | | without position sensing | | with position sensing | | | | | |
| [mm] | [mm] | ADVC | AEVC | ADVC | AEVC | | [g] | | |
| 32 | 5 | 43 | 30 | 47 | 47 | 2 | 150 | 174411 | ZNCF-32 |
| | 10, 15, 20, 25 | | 34 | | | | | | |
| 40 | 5, 10 | 45.5 | 35.5 | 54 | 54 | 2 | 285 | 174412 | ZNCF-40 |
| | 15, 20, 25 | | 40.5 | | | | | | |
| 50 | 10 | 48 | 33.1 | 58 | 60 | 2 | 473 | 174413 | ZNCF-50 |
| | 15, 20, 25 | | 40.5 | | | | | | |
| 63 | 10 | 55 | 38 | 61 | 61 | 2 | 687 | 174414 | ZNCF-63 |
| | 15, 20, 25 | | 45 | | | | | | |
| 80 | 10, 15, 20, 25 | 62 | 57 | 71 | 71 | 2 | 1296 | 174415 | ZNCF-80 |
| 100 | 10, 15, 20, 25 | 78 | 69 | 87 | 87 | 2 | 2254 | 174416 | ZNCF-100 |

1) Corrosion resistance class CRC 2 to Festo standard FN 940070
Moderate corrosion stress. Indoor applications in which condensation may occur. External visible parts with primarily decorative requirements for the surface and which are in direct contact with the ambient atmosphere typical for industrial applications.

- - Note
Screws with special lengths are required to fit the sizes \varnothing 80 mm and \varnothing 100 mm. → page 46

Short-stroke cylinders ADVC/AEVC

Accessories

Trunnion support LNZG

Material:

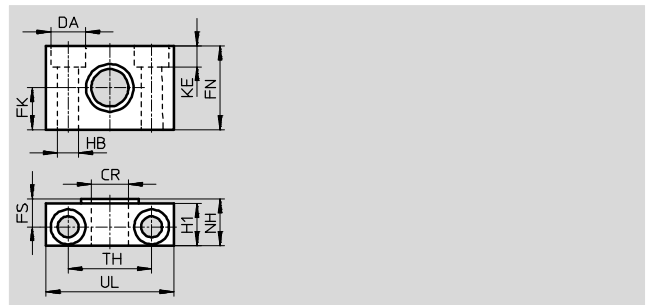
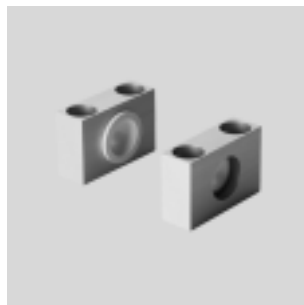
Trunnion support:

Anodised aluminium

Plain bearing: Plastic

Free of copper and PTFE

RoHS-compliant



| Dimensions and ordering data | | | | | | | | | | | | | | Weight | Part No. | Type |
|------------------------------|-------------------|-------------------|-------------------------|----|------|------|-------------------|-----|------|-----------|----|-------------------|--|--------|--------------|---------------------|
| For \varnothing | CR | DA | FK | FN | FS | H1 | HB | KE | NH | TH | UL | CRC ¹⁾ | | | | |
| [mm] | \varnothing D11 | \varnothing H13 | \varnothing ± 0.1 | | | | \varnothing H13 | | | ± 0.2 | | | | [g] | | |
| 32 | 12 | 11 | 15 | 30 | 10.5 | 15 | 6.6 | 6.8 | 18 | 32 | 46 | 2 | | 83 | 32959 | LNZG-32 |
| 40, 50 | 16 | 15 | 18 | 36 | 12 | 18 | 9 | 9 | 21 | 36 | 55 | 2 | | 129 | 32960 | LNZG-40/50 |
| 63, 80 | 20 | 18 | 20 | 40 | 13 | 20 | 11 | 11 | 23 | 42 | 65 | 2 | | 178 | 32961 | LNZG-63/80 |
| 100 | 25 | 20 | 25 | 50 | 16 | 24.5 | 14 | 13 | 28.5 | 50 | 75 | 2 | | 306 | 32962 | LNZG-100/125 |

1) Corrosion resistance class CRC 2 to Festo standard FN 940070

Moderate corrosion stress. Indoor applications in which condensation may occur. External visible parts with primarily decorative requirements for the surface and which are in direct contact with the ambient atmosphere typical for industrial applications.

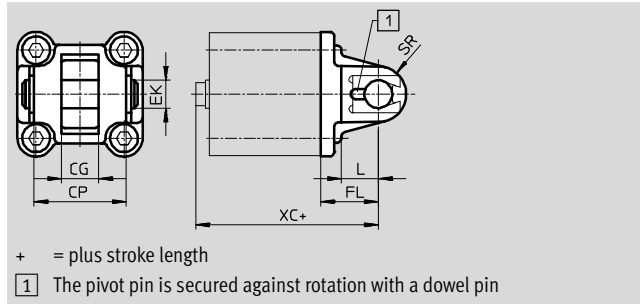
Short-stroke cylinders ADVC/AEVC

Accessories



Swivel flange SNC

Material:
Die-cast aluminium
Free of copper and PTFE
RoHS-compliant



| Dimensions and ordering data | | | | | | | |
|------------------------------|----------------|-----|-----|---------------------|-----------|----|----|
| For \varnothing | Stroke | CG | CP | EK | FL | L | SR |
| [mm] | [mm] | H14 | h14 | \varnothing h9 | ± 0.2 | | |
| 32 | 5 | 14 | 34 | 10 | 22 | 13 | 10 |
| | 10, 15, 20, 25 | | | | | | |
| 40 | 5, 10 | 16 | 40 | 12 | 25 | 16 | 12 |
| | 15, 20, 25 | | | | | | |
| 50 | 10 | 21 | 45 | 16 | 27 | 16 | 12 |
| | 15, 20, 25 | | | | | | |
| 63 | 10 | 21 | 51 | 16 | 32 | 21 | 16 |
| | 15, 20, 25 | | | | | | |
| 80 | 10, 15, 20, 25 | 25 | 65 | 20 | 36 | 22 | 16 |
| 100 | 10, 15, 20, 25 | 25 | 75 | 20 | 41 | 27 | 20 |

| For \varnothing | Stroke | XC | | | | CRC ¹⁾ | Weight | Part No. | Type |
|-------------------|----------------|--------------------------|------|-----------------------|------|-------------------|--------|----------|---------|
| | | without position sensing | | with position sensing | | | | | |
| [mm] | [mm] | ADVC | AEVC | ADVC | AEVC | | [g] | | |
| 32 | 5 | 57 | 44 | 61 | 61 | 2 | 93 | ★ 174383 | SNC-32 |
| | 10, 15, 20, 25 | | 48 | | | | | | |
| 40 | 5, 10 | 60.5 | 50.5 | 69 | 69 | 2 | 140 | ★ 174384 | SNC-40 |
| | 15, 20, 25 | | 55.5 | | | | | | |
| 50 | 10 | 63 | 48.1 | 73 | 75 | 2 | 234 | ★ 174385 | SNC-50 |
| | 15, 20, 25 | | 55.5 | | | | | | |
| 63 | 10 | 75 | 58 | 81 | 81 | 2 | 331 | ★ 174386 | SNC-63 |
| | 15, 20, 25 | | 65 | | | | | | |
| 80 | 10, 15, 20, 25 | 84 | 79 | 93 | 93 | 2 | 618 | ★ 174387 | SNC-80 |
| 100 | 10, 15, 20, 25 | 100 | 91 | 109 | 109 | 2 | 865 | 174388 | SNC-100 |

1) Corrosion resistance class CRC 2 to Festo standard FN 940070
Moderate corrosion stress. Indoor applications in which condensation may occur. External visible parts with primarily decorative requirements for the surface and which are in direct contact with the ambient atmosphere typical for industrial applications.

- - Note
Screws with special lengths are required to fit the sizes \varnothing 80 mm and \varnothing 100 mm. → page 46

Festo core product range ★ Ready for dispatch from the Festo factory in 24 hours
☆ Ready for dispatch in 5 days maximum from stock

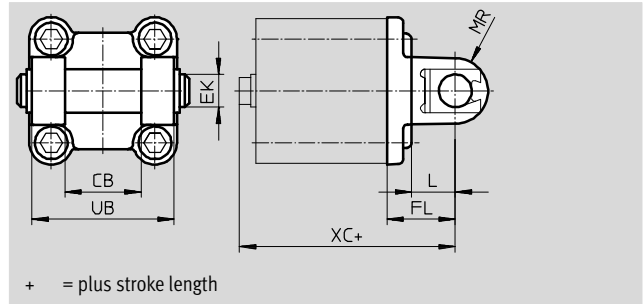
Short-stroke cylinders ADVC/AEVC

Accessories

FESTO

Swivel flange SNCB

Material:
Die-cast aluminium
Free of copper and PTFE
RoHS-compliant



| Dimensions and ordering data | | | | | | | | |
|------------------------------|----------------|-----|---------------------|-----------|----|-----|-----|-----|
| For \varnothing | Stroke | CB | EK | FL | L | ML | MR | UB |
| [mm] | [mm] | H14 | \varnothing e8 | ± 0.2 | | | | h14 |
| 32 | 5 | 26 | 10 | 22 | 13 | 55 | 8.5 | 45 |
| | 10, 15, 20, 25 | | | | | | | |
| 40 | 5, 10 | 28 | 12 | 25 | 16 | 63 | 12 | 52 |
| | 15, 20, 25 | | | | | | | |
| 50 | 10 | 32 | 12 | 27 | 16 | 71 | 12 | 60 |
| | 15, 20, 25 | | | | | | | |
| 63 | 10 | 40 | 16 | 32 | 21 | 83 | 16 | 70 |
| | 15, 20, 25 | | | | | | | |
| 80 | 10, 15, 20, 25 | 50 | 16 | 36 | 22 | 103 | 16 | 90 |
| 100 | 10, 15, 20, 25 | 60 | 20 | 41 | 27 | 127 | 20 | 110 |

| For \varnothing | Stroke | XC | | | | CRC ¹⁾ | Weight | Part No. | Type |
|-------------------|----------------|--------------------------|------|-----------------------|------|-------------------|--------|----------|----------|
| | | without position sensing | | with position sensing | | | | | |
| [mm] | [mm] | ADVC | AEVC | ADVC | AEVC | | [g] | | |
| 32 | 5 | 57 | 44 | 61 | 61 | 2 | 103 | ★ 174390 | SNCB-32 |
| | 10, 15, 20, 25 | | 48 | | | | | | |
| 40 | 5, 10 | 60.5 | 50.5 | 69 | 69 | 2 | 155 | ★ 174391 | SNCB-40 |
| | 15, 20, 25 | | 55.5 | | | | | | |
| 50 | 10 | 63 | 48.1 | 73 | 75 | 2 | 232 | ★ 174392 | SNCB-50 |
| | 15, 20, 25 | | 55.5 | | | | | | |
| 63 | 10 | 75 | 58 | 81 | 81 | 2 | 375 | ★ 174393 | SNCB-63 |
| | 15, 20, 25 | | 65 | | | | | | |
| 80 | 10, 15, 20, 25 | 84 | 79 | 93 | 93 | 2 | 636 | ★ 174394 | SNCB-80 |
| 100 | 10, 15, 20, 25 | 100 | 91 | 109 | 109 | 2 | 1035 | ★ 174395 | SNCB-100 |

1) Corrosion resistance class CRC 2 to Festo standard FN 940070
Moderate corrosion stress. Indoor applications in which condensation may occur. External visible parts with primarily decorative requirements for the surface and which are in direct contact with the ambient atmosphere typical for industrial applications.

- Note
Screws with special lengths are required to fit the sizes \varnothing 80 mm and \varnothing 100 mm. → page 46

Festo core product range ★ Ready for dispatch from the Festo factory in 24 hours
☆ Ready for dispatch in 5 days maximum from stock

Short-stroke cylinders ADVC/AEVC

Accessories

FESTO

Swivel flange SNCS

Material:

SNCS 32 ... 80:

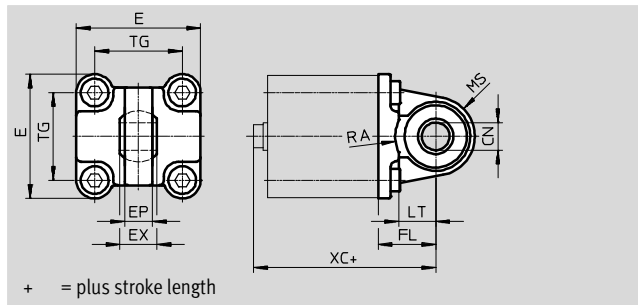
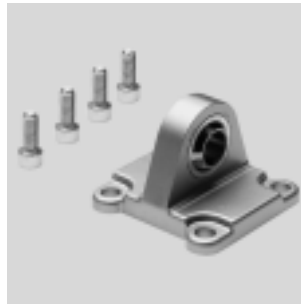
Die-cast aluminium

SNCS 100:

Wrought aluminium alloy

Free of copper and PTFE

RoHS-compliant




| Dimensions and ordering data | | | | | | | | | | |
|------------------------------|----------------|---------------------|------------------|-----------|----|-----------|----|----------------|------|------|
| For \varnothing | Stroke | CN \varnothing | E | EP | EX | FL | LT | MS | RA | TG |
| [mm] | [mm] | | | ± 0.2 | | ± 0.2 | | | +1 | |
| 32 | 5 | $10^{+0.013}$ | $45^{+0.2/-0.5}$ | 10.5 | 14 | 22 | 13 | $15^{+0.5}$ | 14.5 | 32.5 |
| | 10, 15, 20, 25 | | | | | | | | | |
| 40 | 5, 10 | $12^{+0.015}$ | $54_{-0.5}$ | 12 | 16 | 25 | 16 | $17^{+0.5}$ | 17.5 | 38 |
| | 15, 20, 25 | | | | | | | | | |
| 50 | 10 | $16^{+0.015}$ | $64_{-0.6}$ | 15 | 21 | 27 | 16 | $20^{+0.5}$ | 18.5 | 46.5 |
| | 15, 20, 25 | | | | | | | | | |
| 63 | 10 | $16^{+0.015}$ | $75_{-0.6}$ | 15 | 21 | 32 | 21 | $23_{-0.5}$ | 23 | 56.5 |
| | 15, 20, 25 | | | | | | | | | |
| 80 | 10, 15, 20, 25 | $20^{+0.018}$ | $93_{-0.8}$ | 18 | 25 | 36 | 22 | $28_{-0.5}$ | 25 | 72 |
| 100 | 10, 15, 20, 25 | $20^{+0.018}$ | $109^{+1/-0.7}$ | 18 | 25 | 41 | 27 | $30_{\pm 0.5}$ | 95 | 89 |

| For \varnothing | Stroke | XC | | | | CRC ¹⁾ | Weight [g] | Part No. | Type |
|-------------------|----------------|--------------------------|------|-----------------------|------|-------------------|---------------|----------|----------|
| | | without position sensing | | with position sensing | | | | | |
| [mm] | [mm] | ADVC | AEVC | ADVC | AEVC | | | | |
| 32 | 5 | 57 | 44 | 61 | 61 | 2 | 86 | ★ 174397 | SNCS-32 |
| | 10, 15, 20, 25 | | 48 | | | | | | |
| 40 | 5, 10 | 60.5 | 50.5 | 69 | 69 | 2 | 122 | ★ 174398 | SNCS-40 |
| | 15, 20, 25 | | 55.5 | | | | | | |
| 50 | 10 | 63 | 48.1 | 73 | 75 | 2 | 216 | ★ 174399 | SNCS-50 |
| | 15, 20, 25 | | 55.5 | | | | | | |
| 63 | 10 | 75 | 58 | 81 | 81 | 2 | 281 | ★ 174400 | SNCS-63 |
| | 15, 20, 25 | | 65 | | | | | | |
| 80 | 10, 15, 20, 25 | 84 | 79 | 93 | 93 | 2 | 557 | ★ 174401 | SNCS-80 |
| 100 | 10, 15, 20, 25 | 100 | 91 | 109 | 109 | 2 | 683 | 174402 | SNCS-100 |

1) Corrosion resistance class CRC 2 to Festo standard FN 940070

Moderate corrosion stress. Indoor applications in which condensation may occur. External visible parts with primarily decorative requirements for the surface and which are in direct contact with the ambient atmosphere typical for industrial applications.

-  - Note
Screws with special lengths are required to fit the sizes \varnothing 80 mm and \varnothing 100 mm. → page 46

Festo core product range

★ Ready for dispatch from the Festo factory in 24 hours

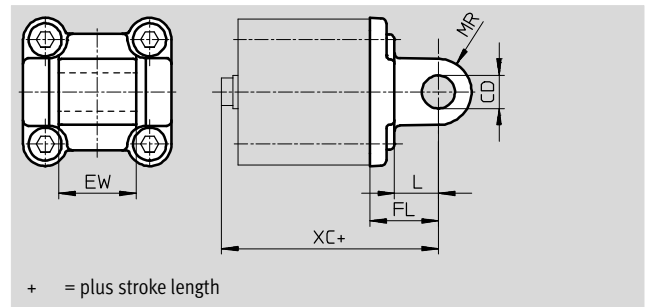
☆ Ready for dispatch in 5 days maximum from stock

Short-stroke cylinders ADVC/AEVC

Accessories

Swivel flange SNCL

Material:
Die-cast aluminium
Free of copper and PTFE
RoHS-compliant



| Dimensions and ordering data | | | | | | |
|------------------------------|----------------|---------------------|-----------|-----------|----|----|
| For \varnothing | Stroke | CD | EW | FL | L | MR |
| [mm] | [mm] | \varnothing H9 | -0.2/-0.6 | ± 0.2 | | |
| 32 | 5 | 10 | 26 | 22 | 13 | 10 |
| | 10, 15, 20, 25 | | | | | |
| 40 | 5, 10 | 12 | 28 | 25 | 16 | 12 |
| | 15, 20, 25 | | | | | |
| 50 | 10 | 12 | 32 | 27 | 16 | 12 |
| | 15, 20, 25 | | | | | |
| 63 | 10 | 16 | 40 | 32 | 21 | 16 |
| | 15, 20, 25 | | | | | |
| 80 | 10, 15, 20, 25 | 16 | 50 | 36 | 22 | 16 |
| 100 | 10, 15, 20, 25 | 20 | 60 | 41 | 27 | 20 |

| For \varnothing | Stroke | XC | | | | CRC ¹⁾ | Weight | Part No. | Type |
|-------------------|----------------|--------------------------|------|-----------------------|------|-------------------|--------|----------|----------|
| | | without position sensing | | with position sensing | | | | | |
| [mm] | [mm] | ADVC | AEVC | ADVC | AEVC | | [g] | | |
| 32 | 5 | 57 | 44 | 61 | 61 | 2 | 71 | ★ 174404 | SNCL-32 |
| | 10, 15, 20, 25 | | 48 | | | | | | |
| 40 | 5, 10 | 60.5 | 50.5 | 69 | 69 | 2 | 95 | ★ 174405 | SNCL-40 |
| | 15, 20, 25 | | 55.5 | | | | | | |
| 50 | 10 | 63 | 48.1 | 73 | 75 | 2 | 158 | ★ 174406 | SNCL-50 |
| | 15, 20, 25 | | 55.5 | | | | | | |
| 63 | 10 | 75 | 58 | 81 | 81 | 2 | 225 | ★ 174407 | SNCL-63 |
| | 15, 20, 25 | | 65 | | | | | | |
| 80 | 10, 15, 20, 25 | 84 | 79 | 93 | 93 | 2 | 436 | ★ 174408 | SNCL-80 |
| 100 | 10, 15, 20, 25 | 100 | 91 | 109 | 109 | 2 | 655 | 174409 | SNCL-100 |

1) Corrosion resistance class CRC 2 to Festo standard FN 940070
Moderate corrosion stress. Indoor applications in which condensation may occur. External visible parts with primarily decorative requirements for the surface and which are in direct contact with the ambient atmosphere typical for industrial applications.

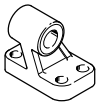
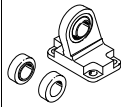


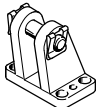
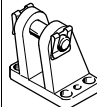
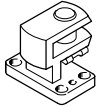
- Note
Screws with special lengths are required to fit the sizes \varnothing 80 mm and \varnothing 100 mm. → page 46


Festo core product range ★ Ready for dispatch from the Festo factory in 24 hours
 ☆ Ready for dispatch in 5 days maximum from stock

Short-stroke cylinders ADVC/AEVC

Accessories

FESTO

| Ordering data – Mounting attachments | | | | Technical data → Internet: clevis foot | | | |
|---|--------|----------|----------|--|--------|----------|-----------|
| Designation | For Ø | Part No. | Type | Designation | For Ø | Part No. | Type |
| Clevis foot mounting LNG | | | | Clevis foot mounting LSN | | | |
|  | 32 | ★ 33890 | LNG-32 |  | 32 | 5561 | LSN-32 |
| | 40 | ★ 33891 | LNG-40 | | 40 | 5562 | LSN-40 |
| | 50 | ★ 33892 | LNG-50 | | 50 | 5563 | LSN-50 |
| | 63 | ★ 33893 | LNG-63 | | 63 | 5564 | LSN-63 |
| | 80 | ★ 33894 | LNG-80 | | 80 | 5565 | LSN-80 |
| | 100 | 33895 | LNG-100 | | 100 | 5566 | LSN-100 |
| Clevis foot mounting LSNG | | | | Weld-on clevis foot mounting LSNSG | | | |
|  | 32 | 31740 | LSNG-32 |  | 32 | 31747 | LSNSG-32 |
| | 40 | 31741 | LSNG-40 | | 40 | 31748 | LSNSG-40 |
| | 50 | 31742 | LSNG-50 | | 50 | 31749 | LSNSG-50 |
| | 63 | 31743 | LSNG-63 | | 63 | 31750 | LSNSG-63 |
| | 80 | 31744 | LSNG-80 | | 80 | 31751 | LSNSG-80 |
| | 100 | 31745 | LSNG-100 | | 100 | 31752 | LSNSG-100 |
| Clevis foot LBG on swivel flange SNCS | | | | Clevis foot LBG on rod eye SGS | | | |
|  | 32 | 31761 | LBG-32 |  | 32, 40 | 31761 | LBG-32 |
| | 40 | 31762 | LBG-40 | | 50, 63 | 31762 | LBG-40 |
| | 50 | 31763 | LBG-50 | | 80 | 31763 | LBG-50 |
| | 63 | 31764 | LBG-63 | | | 31764 | LBG-63 |
| | 80 | 31765 | LBG-80 | | 100 | 31765 | LBG-80 |
| | 100 | 31766 | LBG-100 | | | 31766 | LBG-100 |
| Clevis foot, right-angled LQG | | | | | | | |
|  | 32, 40 | 31768 | LQG-32 | | | | |
| | 50, 63 | 31769 | LQG-40 | | | | |
| | 80 | 31770 | LQG-50 | | | | |
| | | 31771 | LQG-63 | | | | |
| | 100 | 31772 | LQG-80 | | | | |
| 31773 | | LQG-100 | | | | | |

| Bestellangaben | | | | |
|---|---------|---------------------------------|----------------------|------------------|
| Schraube | für Ø | für Zubehör | Teile-Nr. | PE ¹⁾ |
|  | 80, 100 | HNC, FNC, SNC, SNCS, SNCL, SNCB | 238600 M10x30 | 1 |
| | 80 | ZNCF | 204138 M10x40 | |
| | 100 | ZNCF | 370524 M10x50 | |

1) Packungseinheit in Stück


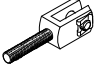
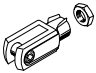
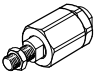
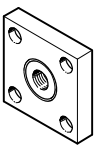
Festo core product range

- ★ Ready for dispatch from the Festo factory in 24 hours
- ☆ Ready for dispatch in 5 days maximum from stock

Short-stroke cylinders ADVC/AEVC

FESTO

Accessories

| Ordering data – Piston rod attachments | | | | Technical data → Internet: piston-rod attachment | | | |
|---|--------|------------|--------------|---|------------|----------|--------------|
| Designation | For Ø | Part No. | Type | Designation | For Ø | Part No. | Type |
| Rod eye SGS | | | | Rod clevis SGA | | | |
|  | 10 | ★ 9253 | SGS-M4 |  | 32 | – | – |
| | 16 | ★ 9254 | SGS-M6 | | 40 | – | – |
| | 20 | ★ 9255 | SGS-M8 | | 50 | – | – |
| | 25 | – | – | | 63 | – | – |
| | 32 | ★ 9261 | SGS-M10x1,25 | | 32 | 32954 | SGA-M10x1,25 |
| | 40 | – | – | | 40 | – | – |
| | 50 | ★ 9262 | SGS-M12x1,25 | | 50 | 10767 | SGA-M12x1,25 |
| | 63 | – | – | | 63 | – | – |
| | 80 | ★ 9263 | SGS-M16x1,5 | | 80 | 10768 | SGA-M16x1,5 |
| | 100 | ★ 9264 | SGS-M20x1,5 | | 100 | 10769 | SGA-M20x1,5 |
| Rod clevis SG | | | | Self-aligning rod coupler FK | | | |
|  | 10 | 6532 | SG-M4 |  | 10 | 6528 | FK-M4 |
| | 12 | – | – | | 12 | 30984 | FK-M5 |
| | 16 | ★ 3110 | SG-M6 | | 16 | ★ 2061 | FK-M6 |
| | 20 | ★ 3111 | SG-M8 | | 20 | ★ 2062 | FK-M8 |
| | 25 | – | – | | 25 | – | – |
| | 32 | ★ 6144 | SG-M10x1,25 | | 32 | ★ 6140 | FK-M10x1,25 |
| | 40 | – | – | | 40 | – | – |
| | 50 | ★ 6145 | SG-M12x1,25 | | 50 | ★ 6141 | FK-M12x1,25 |
| | 63 | – | – | | 63 | – | – |
| | 80 | ★ 6146 | SG-M16x1,5 | | 80 | ★ 6142 | FK-M16x1,5 |
| 100 | ★ 6147 | SG-M20x1,5 | 100 | ★ 6143 | FK-M20x1,5 | | |
| Coupling piece KSG | | | | | | | |
|  | 32 | 32963 | KSG-M10x1,25 | | | | |
| | 40 | – | – | | | | |
| | 50 | 32964 | KSG-M12x1,25 | | | | |
| | 63 | – | – | | | | |
| | 80 | 32965 | KSG-M16x1,5 | | | | |
| | 100 | 32966 | KSG-M20x1,5 | | | | |

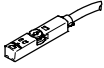
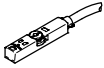
Festo core product range

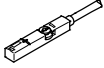
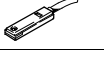
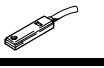
- ★ Ready for dispatch from the Festo factory in 24 hours
- ☆ Ready for dispatch in 5 days maximum from stock



Short-stroke cylinders ADVC/AEVC

Accessories

FESTO

| Ordering data – Proximity sensors for T-slot, magneto-resistive | | | | | | Technical data → Internet: smt | |
|---|--|---------------|-----------------------|------------------|----------|--------------------------------|--|
| | Type of mounting | Switch output | Electrical connection | Cable length [m] | Part No. | Type | |
| N/O contact | | | | | | | |
|  | Insertable in the slot from above, flush with cylinder profile, short design | PNP | Cable, 3-wire | 2.5 | ★ 574335 | SMT-8M-A-PS-24V-E-2,5-OE | |
| | | | Plug M8x1, 3-pin | 0.3 | ★ 574334 | SMT-8M-A-PS-24V-E-0,3-M8D | |
| | | | Plug M12x1, 3-pin | 0.3 | ★ 574337 | SMT-8M-A-PS-24V-E-0,3-M12 | |
| | | NPN | Cable, 3-wire | 2.5 | ★ 574338 | SMT-8M-A-NS-24V-E-2,5-OE | |
| | | | Plug M8x1, 3-pin | 0.3 | ★ 574339 | SMT-8M-A-NS-24V-E-0,3-M8D | |
| N/C contact | | | | | | | |
|  | Insertable in the slot from above, flush with cylinder profile, short design | PNP | Cable, 3-wire | 7.5 | ★ 574340 | SMT-8M-A-PO-24V-E-7,5-OE | |

| Ordering data – Proximity sensors for T-slot, magnetic reed | | | | | | Technical data → Internet: sme | |
|---|--|---------------|-----------------------|------------------|----------|--------------------------------|--|
| | Type of mounting | Switch output | Electrical connection | Cable length [m] | Part No. | Type | |
| N/O contact | | | | | | | |
|  | Insertable in the slot from above, flush with cylinder profile | Contacting | Cable, 3-wire | 2.5 | ★ 543862 | SME-8M-DS-24V-K-2,5-OE | |
| | | | | 5.0 | ★ 543863 | SME-8M-DS-24V-K-5,0-OE | |
| | | | Cable, 2-wire | 2.5 | ★ 543872 | SME-8M-ZS-24V-K-2,5-OE | |
| | | | Plug M8x1, 3-pin | 0.3 | ★ 543861 | SME-8M-DS-24V-K-0,3-M8D | |
|  | Insertable in the slot lengthwise, flush with the cylinder profile | Contacting | Cable, 3-wire | 2.5 | 150855 | SME-8-K-LED-24 | |
| | | | Plug M8x1, 3-pin | 0.3 | 150857 | SME-8-S-LED-24 | |
| N/C contact | | | | | | | |
|  | Insertable in the slot lengthwise, flush with the cylinder profile | Contacting | Cable, 3-wire | 7.5 | 160251 | SME-8-O-K-LED-24 | |

| Ordering data – Connecting cables | | | | | Technical data → Internet: nebu | |
|---|-------------------------------|------------------------------|------------------|----------|---------------------------------|--|
| | Electrical connection, left | Electrical connection, right | Cable length [m] | Part No. | Type | |
|  | Straight socket, M8x1, 3-pin | Cable, open end, 3-wire | 2.5 | ★ 541333 | NEBU-M8G3-K-2.5-LE3 | |
| | | | 5 | ★ 541334 | NEBU-M8G3-K-5-LE3 | |
| | Straight socket, M12x1, 5-pin | Cable, open end, 3-wire | 2.5 | ★ 541363 | NEBU-M12G5-K-2.5-LE3 | |
| | | | 5 | ★ 541364 | NEBU-M12G5-K-5-LE3 | |
|  | Angled socket, M8x1, 3-pin | Cable, open end, 3-wire | 2.5 | ★ 541338 | NEBU-M8W3-K-2.5-LE3 | |
| | | | 5 | ★ 541341 | NEBU-M8W3-K-5-LE3 | |
| | Angled socket, M12x1, 5-pin | Cable, open end, 3-wire | 2.5 | 541367 | NEBU-M12W5-K-2.5-LE3 | |
| | | | 5 | 541370 | NEBU-M12W5-K-5-LE3 | |

| Ordering data – Slot cover for T-slot | | | | |
|---|-----------------------|----------|----------|---------|
| | Mounting | Length | Part No. | Type |
|  | Insertable from above | 2x 0.5 m | 151680 | ABP-5-S |

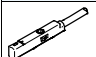
Festo core product range

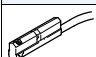
- ★ Ready for dispatch from the Festo factory in 24 hours
- ☆ Ready for dispatch in 5 days maximum from stock



Short-stroke cylinders ADVC/AEVC

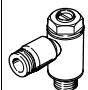
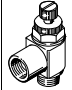
FESTO

Accessories

| Ordering data – Proximity switches for C-slot, magneto-resistive | | | | | | Technical data → Internet: smt | |
|---|-----------------------------------|---------------|---|------------------|----------|--------------------------------|--|
| | Type of mounting | Switch output | Electrical connection, connection direction | Cable length [m] | Part No. | Type | |
| N/O contact | | | | | | | |
|  | Insertable in the slot from above | PNP | Plug M8x1, 3-pin, in-line | 0,3 | ★ 551375 | SMT-10M-PS-24V-E-0,3-L-M8D | |
| | | | Cable, 3-wire, in-line | 2,5 | ★ 551373 | SMT-10M-PS-24V-E-2,5-L-OE | |

| Ordering data – Proximity switches for C-slot, magnetic reed | | | | | | Technical data → Internet: sme | |
|---|-----------------------------------|---------------|---|------------------|----------|--------------------------------|--|
| | Type of mounting | Switch output | Electrical connection, connection direction | Cable length [m] | Part No. | Type | |
| N/O contact | | | | | | | |
|  | Insertable in the slot lengthwise | Contacting | Plug M8x1, 3-pin, in-line | 0,3 | 173212 | SME-10-SL-LED-24 | |
| | | | Cable, 3-wire, in-line | 2,5 | 173210 | SME-10-KL-LED-24 | |

| Ordering data – Connecting cables | | | | | Technical data → Internet: nebu | | |
|---|------------------------------|------------------------------|------------------|----------|---------------------------------|--|--|
| | Electrical connection, left | Electrical connection, right | Cable length [m] | Part No. | Type | | |
|  | Straight socket, M8x1, 3-pin | Cable, open end, 3-wire | 2,5 | ★ 541333 | NEBU-M8G3-K-2.5-LE3 | | |
| | | | 5 | ★ 541334 | NEBU-M8G3-K-5-LE3 | | |
|  | Angled socket, M8x1, 3-pin | Cable, open end, 3-wire | 2,5 | ★ 541338 | NEBU-M8W3-K-2.5-LE3 | | |
| | | | 5 | ★ 541341 | NEBU-M8W3-K-5-LE3 | | |

| Ordering data – One-way flow control valves | | | | | Technical data → Internet: grl | | | |
|---|------------|-----------------|--------------|----------|--------------------------------|----------------|--|--|
| | Connection | For tubing O.D. | Material | Part No. | Type | | | |
| | Thread | | | | | | | |
| For exhaust air | | | | | | | | |
|  | M3 | 3 | Metal design | 175041 | GRLA-M3-QS-3 | | | |
| | | M5 | | 3 | ★ 193137 | GRLA-M5-QS-3-D | | |
| | | | | 4 | ★ 193138 | GRLA-M5-QS-4-D | | |
| | | | | 6 | ★ 193139 | GRLA-M5-QS-6-D | | |
| | G1/8 | 3 | | ★ 193142 | GRLA-1/8-QS-3-D | | | |
| | | 4 | | ★ 193143 | GRLA-1/8-QS-4-D | | | |
| | | 6 | | ★ 193144 | GRLA-1/8-QS-6-D | | | |
| | | 8 | | ★ 193145 | GRLA-1/8-QS-8-D | | | |
| | G1/4 | 6 | | ★ 193146 | GRLA-1/4-QS-6-D | | | |
| | | 8 | | ★ 193147 | GRLA-1/4-QS-8-D | | | |
| | | 10 | | ★ 193148 | GRLA-1/4-QS-10-D | | | |
| | | | | | | | | |
| For supply air | | | | | | | | |
|  | M3 | 3 | Metal design | 175043 | GRLZ-M3-QS-3 | | | |
| | | M5 | | 3 | ★ 193153 | GRLZ-M5-QS-3-D | | |
| | | | | 4 | ★ 193154 | GRLZ-M5-QS-4-D | | |
| | | | | 6 | ★ 193155 | GRLZ-M5-QS-6-D | | |
| | G1/8 | 3 | | ★ 193156 | GRLZ-1/8-QS-3-D | | | |
| | | 4 | | ★ 193157 | GRLZ-1/8-QS-4-D | | | |
| | | 6 | | ★ 193158 | GRLZ-1/8-QS-6-D | | | |
| | | 8 | | ★ 193159 | GRLZ-1/8-QS-8-D | | | |

Festo core product range

- ★ Ready for dispatch from the Festo factory in 24 hours
- ☆ Ready for dispatch in 5 days maximum from stock