

FAG

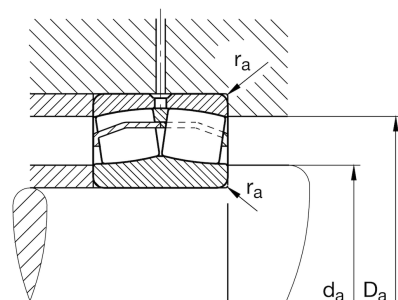
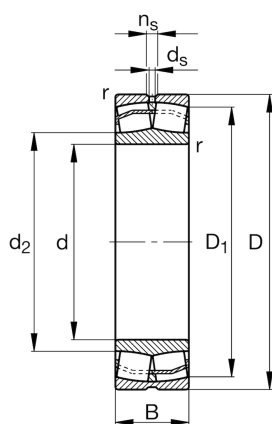
**22220-E1-XL-C3**

Spherical roller bearing

Schaeffler ID:  
0167042150030Spherical roller bearings 222...-E1, main  
dimensions to DIN 635-2

X-life

## Technical information

**Main Dimensions & Performance Data**

d	100 mm	Bore diameter
D	180 mm	Outside diameter
B	46 mm	Width
$C_r$	430,000 N	Basic dynamic load rating, radial
$C_{0r}$	475,000 N	Basic static load rating, radial
$C_{ur}$	53,000 N	Fatigue load limit, radial
$n_G$	4,550 1/min	Limiting speed
$n_{gr}$	3,150 1/min	Reference speed
	4.962 kg	Weight

**Mounting dimensions**

$d_{a \min}$	112 mm	Minimum diameter shaft shoulder
$D_{a \max}$	168 mm	Maximum diameter of housing shoulder
$r_{a \max}$	2.1 mm	Maximum recess radius

**Dimensions**

$r_{\min}$	2.1 mm	Minimum chamfer dimension
$D_1$	161.4 mm	Bore diameter outer ring
$d_2$	119 mm	Raceway diameter of the inner ring
$d_s$	4.8 mm	Diameter lubrication hole
$n_s$	9.5 mm	Width of lubricating groove

**Temperature range**

$T_{\min}$	-30 °C	Operating temperature min.
$T_{\max}$	200 °C	Operating temperature max.

**Calculation factors**

e	0.24	Limiting value of Fa/Fr for the applicability of diff. Values of factors X and Y
Y <sub>1</sub>	2.84	Dynamic axial load factor
Y <sub>2</sub>	4.23	Dynamic axial load factor
Y <sub>0</sub>	2.78	Static axial load factor